

# AKAI SERVICE MANUAL

## *RTV servis Horvat*

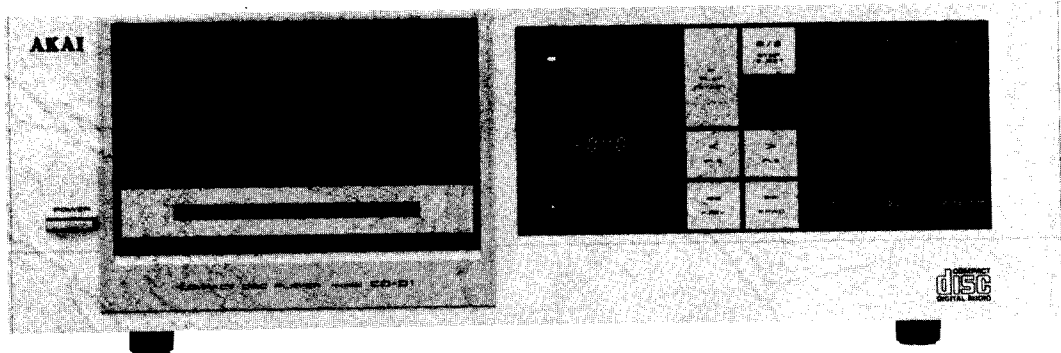
Kešinci, 31402 Semeljci

Tel : 031-856-637

Tel / fax : 031-856-139

Mob : 098-788-319

[rtv-servis-horvat@os.tel.hr](mailto:rtv-servis-horvat@os.tel.hr)



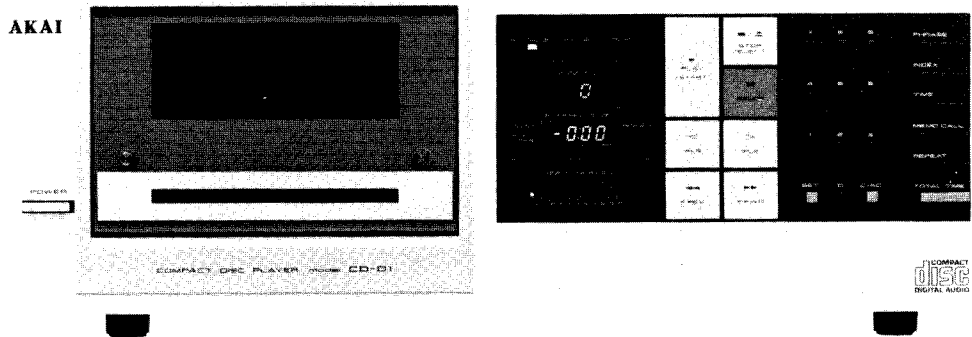
COMPACT  
**disc**  
DIGITAL AUDIO

COMPACT DISC PLAYER

MODEL **CD-D1**

**ABBREVIATIONS FOR SERVICE MANUAL  
CD-D1**

| ABBREVIATIONS | EXPLANATION                               |
|---------------|---|
| APC           | Auto Power Control                        |
| CD            | Compact Disc                              |
| CIM           | Clock Concealment, Interpolation and Mute |
| CIRC          | Cross Interleaved Reed-Solomon Code       |
| DAC           | Digital to Analogue Convertor             |
| DEM0D         | DEMODulator                               |
| DL            | DifferentialL                             |
| ERCO          | ERror COrrrection (circuit)               |
| FIL           | FILter                                    |
| GND           | GrouND                                    |
| LPF           | Low Pass Filter                           |
| PIN           | PIN Junction (diode)                      |
| RAM           | Random Access Memory                      |
| TAOHS         | Two Action Optical Heads System           |
| Tr            | Transistor                                |



COMPACT DISC PLAYER  
 MODEL **CD-D1**

TABLE OF CONTENTS

|           |                         |    |
|-----------|-------------------------|----|
| SECTION 1 | SERVICE MANUAL.....     | 3  |
| SECTION 2 | PARTS LIST.....         | 47 |
| SECTION 3 | SCHEMATIC DIAGRAM ..... | 53 |

# SAFETY INSTRUCTIONS

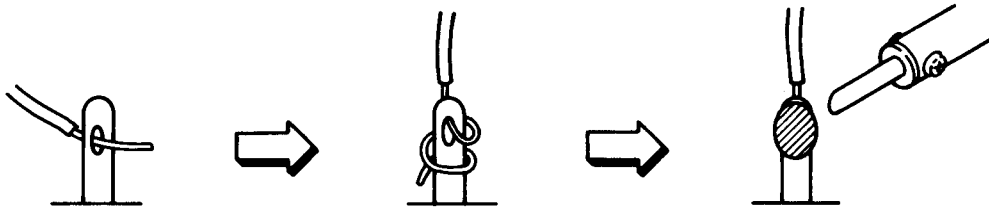
---

## SAFETY CHECK AFTER SERVICING

Confirm the specified insulation resistance between power cord plug prongs and externally exposed parts of the set is greater than 10 Mohms, but for equipment with external antenna terminals (tuner, receiver, etc.) and is intended for [C] or [A], specified insulation resistance should be more than 2.2 Mohms (ground terminals, microphone jacks, headphone jacks, line-in-out jacks etc.)

## PRECAUTIONS DURING SERVICING

1. Parts identified by the  $\Delta$  symbol parts are critical for safety.  
Replace only with parts number specified.
2. In addition to safety, other parts and assemblies are specified for conformance with such regulations as those applying to spurious radiation. These must also be replaced only with specified replacements.  
Examples: RF converters, tuner units, antenna selector switches, RF cables, noise blocking capacitors, noise blocking filters, etc.
3. Use specified internal wiring. Note especially:
  - 1) Wires covered with PVC tubing
  - 2) Double insulated wires
  - 3) High voltage leads
4. Use specified insulating materials for hazardous live parts. Note especially:
  - 1) Insulation Tape
  - 2) PVC tubing
  - 3) Spacers (Insulating Barriers)
  - 4) Insulation sheets for transistors
  - 5) Plastic screws for fixing microswitch (especially in turntable)
5. When replacing AC primary side components (transformers, power cords, noise blocking capacitors, etc.), wrap ends of wires securely about the terminals before soldering.



6. Observe that wires do not contact heat producing parts (heatsinks, oxide metal film resistors, fusible resistors, etc.).
7. Check that replaced wires do not contact sharp edged or pointed parts.
8. Also check areas surrounding repaired locations.
9. Use care that foreign objects (screws, solder droplets, etc.) do not remain inside the set.

## SECTION 1

**SERVICE MANUAL**

## TABLE OF CONTENTS

|   |           |  |           |
|---|-----------|--|-----------|
| <b>I. PRECAUTIONS IN REPAIRING.....</b>         | <b>4</b>  | <b>3. TRACKING SYSTEM.....</b>                 | <b>13</b> |
| <b>PRÉCAUTION À PRENDRE LORS DE</b>             |           | <b>SYSTÈME DE POURSUITE.....</b>               | <b>13</b> |
| <b>RÉPARATION.....</b>                          | <b>4</b>  | <b>SYSTEM DER ABTASTUNG.....</b>               | <b>13</b> |
| <b>VORSICHTSMASSNAHMEN BEI DER</b>              |           | <b>4. FOCUSING SYSTEM.....</b>                 | <b>14</b> |
| <b>REPARATUR.....</b>                           | <b>4</b>  | <b>SYSTÈME DE MISE AU POINT.....</b>           | <b>14</b> |
| <b>1. BEFORE EXAMINATION.....</b>               | <b>4</b>  | <b>SYSTEM DER FOKUSSIERUNG.....</b>            | <b>14</b> |
| <b>AVANT EXAMEN.....</b>                        | <b>4</b>  |  |           |
| <b>VOR KONTROLLE.....</b>                       | <b>4</b>  | <b>VII. ADJUSTMENT.....</b>                    | <b>16</b> |
| <b>2. ELECTROSTATIC DESTRUCTION OF</b>          |           | <b>RÉGLAGE.....</b>                            | <b>16</b> |
| <b>LASER DIODES.....</b>                        | <b>4</b>  | <b>EINSTELLUNG.....</b>                        | <b>16</b> |
| <b>DESTRUCTION ÉLECTROSTATIQUE</b>              |           | <b>1. CHECKS PRIOR TO ADJUSTMENT.....</b>      | <b>18</b> |
| <b>DES DIODES LASER.....</b>                    | <b>4</b>  | <b>VÉRIFICATIONS AVANT RÉGLAGE.....</b>        | <b>18</b> |
| <b>ELEKTROSTATISCHE ZERSTÖRUNG</b>              |           | <b>KONTROLLEN VOR DER EINSTELLUNG.....</b>     | <b>18</b> |
| <b>DER LASERDIODEN.....</b>                     | <b>4</b>  | <b>2. APC ADJUSTMENT.....</b>                  | <b>18</b> |
| <b>3. DESTRUCTION OF LASER DIODES BY</b>        |           | <b>RÉGLAGE DU CIRCUIT APC.....</b>             | <b>18</b> |
| <b>EXCESSIVE POWER INPUT.....</b>               | <b>5</b>  | <b>APC-EINSTELLUNG.....</b>                    | <b>18</b> |
| <b>DESTRUCTION DES DIODES LASER PAR</b>         |           | <b>3. OFF-SET ADJUSTMENT.....</b>              | <b>19</b> |
| <b>UN EXCÈS DE PUISSANCE D'ENTRÉE.....</b>      | <b>5</b>  | <b>RÉGLAGE DE BALANCE.....</b>                 | <b>19</b> |
| <b>ZERSTÖRUNG VON LASERDIODEN DURCH</b>         |           | <b>OFFSET-EINSTELLUNG.....</b>                 | <b>19</b> |
| <b>ÜBERGROSSE EINGANGS STROMSTÄRKE...</b>       | <b>5</b>  | <b>4. BALANCE ADJUSTMENT.....</b>              | <b>21</b> |
| <b>4. PICKUP BLOCK (TAOHS) INTERIOR.....</b>    | <b>5</b>  | <b>RÉGLAGE DE LA BALANCE.....</b>              | <b>21</b> |
| <b>INTÉRIEUR DU BLOC DE LECTURE</b>             |           | <b>BALANCE-EINSTELLUNG.....</b>                | <b>21</b> |
| <b>(TAOHS).....</b>                             | <b>5</b>  | <b>5. RADIAL LEVEL ADJUSTMENT.....</b>         | <b>22</b> |
| <b>ABTAST-BLOCK (TAOHS) INNERE TEILE.....</b>   | <b>5</b>  | <b>RÉGLAGE DU NIVEAU RADIAL.....</b>           | <b>22</b> |
| <b>5. OBJECTIVE LENS AREA</b>                   |           | <b>RADIALPEGEL-EINSTELLUNG.....</b>            | <b>22</b> |
| <b>OF PICKUP BLOCK (TAOHS).....</b>             | <b>5</b>  | <b>6. RADIAL GAIN DETERMINATION.....</b>       | <b>23</b> |
| <b>PARTIE DU BLOC DE LECTURE (TAOHS)</b>        |           | <b>DÉTERMINATION DU GAIN RADIAL.....</b>       | <b>23</b> |
| <b>COMPRENANT LA LENTILLE DE</b>                |           | <b>BESTIMMUNG DER</b>                          |           |
| <b>L'OBJECTIF.....</b>                          | <b>5</b>  | <b>RADIALVERSTÄRKUNG.....</b>                  | <b>23</b> |
| <b>OBJEKTIVLINSEN-BEREICH DES</b>               |           | <b>7. DISC MOTOR CONTROL ADJUSTMENT.....</b>   | <b>23</b> |
| <b>ABTAST-BLOCKS (TAOHS).....</b>               | <b>5</b>  | <b>RÉGLAGE DU CONTRÔLE</b>                     |           |
| <b>6. PICKUP GUIDE SHAFT.....</b>               | <b>5</b>  | <b>DU MOTEUR DU DISQUE.....</b>                | <b>23</b> |
| <b>TIGE DE GUIDAGE DE LA TÊTE</b>               |           | <b>EINSTELLUNG DER DISC-</b>                   |           |
| <b>DE LECTURE.....</b>                          | <b>5</b>  | <b>MOTORREGELUNG.....</b>                      | <b>23</b> |
| <b>ABTAST-FÜHRUNGSWELLE.....</b>                | <b>5</b>  | <b>8. AUTO SIGNAL BALANCE.....</b>             | <b>23</b> |
| <b>7. RANKING OF PICKUP BLOCKS BY</b>           |           | <b>SIGNAL AUTOMATIQUE DE BALANCE.....</b>      | <b>23</b> |
| <b>PIN DIODE.....</b>                           | <b>5</b>  | <b>AUTO-SIGNAL-BALANCE.....</b>                | <b>23</b> |
| <b>CLASSEMENT DES BLOCS DE LECTURE</b>          |           |  |           |
| <b>SELON LA DIODE PIN.....</b>                  | <b>5</b>  | <b>VIII. AN OUTLINE OF FREQUENT COMPLAINTS</b> |           |
| <b>RANGFOLGE DER ABTAST-BLÖCKE</b>              |           | <b>AND THEIR REMEDIES.....</b>                 | <b>24</b> |
| <b>NACH PIN-DIODEN.....</b>                     | <b>5</b>  | <b>LES PROBLÈMES ET LEUR REMÈDES.....</b>      | <b>24</b> |
| <b>8. HANDLING OF DISCS.....</b>                | <b>5</b>  | <b>ÜBERBLICK AUF DIE HÄUFIGSTEN</b>            |           |
| <b>MANIPULATION DES DISQUES.....</b>            | <b>5</b>  | <b>REKLAMATIONEN UND IHRE</b>                  |           |
| <b>UMGANG MIT DER DISC.....</b>                 | <b>5</b>  | <b>BEHEBUNG.....</b>                           | <b>24</b> |
| <b>9. DRIVER FOR LID PANEL SCREWS.....</b>      | <b>5</b>  | <b>1. NO SOUNDS EMITTED.....</b>               | <b>24</b> |
| <b>TOURNEVIS POUR LES VIS DU CAPOT.....</b>     | <b>5</b>  | <b>PAS DE SON.....</b>                         | <b>24</b> |
| <b>SCHRAUBENZIEHER FÜR DIE</b>                  |           | <b>KEINE KLANGWIEDERGABE.....</b>              | <b>24</b> |
| <b>DECKELSCHRAUBEN.....</b>                     | <b>5</b>  | <b>INTERMITTENT SOUND.....</b>                 | <b>24</b> |
|   |           | <b>SON INTERMITTENT.....</b>                   | <b>24</b> |
| <b>II. SPECIFICATIONS.....</b>                  | <b>6</b>  | <b>KLANGWIEDERGABE MIT UNTER-</b>              |           |
| <b>SPÉCIFICATIONS.....</b>                      | <b>6</b>  | <b>BRECHUNGEN.....</b>                         | <b>24</b> |
| <b>TECHNISCHE DATEN.....</b>                    | <b>7</b>  | <b>3. DISTORTED SOUND.....</b>                 | <b>24</b> |
| <b>III. DISMANTLING OF UNIT.....</b>            | <b>8</b>  | <b>SON DÉFORMÉ.....</b>                        | <b>24</b> |
| <b>DÉMONTAGE DE L'UNITÉ.....</b>                | <b>8</b>  | <b>KLANGVERZERRUNG.....</b>                    | <b>24</b> |
| <b>ZERLEGUNG DES GERÄTES.....</b>               | <b>8</b>  | <b>4. NOISE.....</b>                           | <b>25</b> |
| <b>IV. CONTROLS.....</b>                        | <b>9</b>  | <b>BRUITS.....</b>                             | <b>25</b> |
| <b>CONTRÔLE.....</b>                            | <b>9</b>  | <b>RAUSCHEN.....</b>                           | <b>25</b> |
| <b>ANORDNUNG.....</b>                           | <b>9</b>  | <b>5. WOW AND FLUTTER.....</b>                 | <b>25</b> |
| <b>V. PRINCIPAL PARTS LOCATION.....</b>         | <b>10</b> | <b>FLUCTUATION ET SCINTILLEMENT.....</b>       | <b>25</b> |
| <b>EMPLACEMENT DES PIÈCES PRINCIPALES....</b>   | <b>10</b> | <b>GLEICHLAUFSCHWANKUNGEN.....</b>             | <b>25</b> |
| <b>LAGE DER HAUPTTEILE.....</b>                 | <b>10</b> | <b>6. AUTO-SYSTEM MALFUNCTIONS.....</b>        | <b>25</b> |
| <b>VI. OUTLINE DESCRIPTION.....</b>             | <b>11</b> | <b>MAUVAIS FONCTIONNEMENT</b>                  |           |
| <b>DESCRIPTION GÉNÉRALE.....</b>                | <b>11</b> | <b>DU SYSTÈME AUTOMATIQUE.....</b>             | <b>25</b> |
| <b>BESCHREIBUNG.....</b>                        | <b>11</b> | <b>BETRIEBSSTÖRUNGEN DER AUTOMATIK.....</b>    | <b>25</b> |
| <b>1. BASIC STRUCTURE OF THE CD PLAYER.....</b> | <b>11</b> | <b>7. MECHANICAL NOISES.....</b>               | <b>26</b> |
| <b>STRUCTURE DE BASE DE LA PLATINE CD...</b>    | <b>11</b> | <b>BRUITS MÉCANIQUES.....</b>                  | <b>26</b> |
| <b>GRUNDSÄTZLICHER AUFBAU DES</b>               |           | <b>MECHANISCHE GERÄUSCHE.....</b>              | <b>26</b> |
| <b>CD-SPIELERS.....</b>                         | <b>11</b> | <b>8. DISC GETS SCRATCHED.....</b>             | <b>26</b> |
| <b>2. RELATIVE TO SERVO.....</b>                | <b>13</b> | <b>RAYURES CAUSÉES AU DISQUE.....</b>          | <b>26</b> |
| <b>À PROPOS DE L'ASSERVISSEMENT.....</b>        | <b>13</b> | <b>DISC WIRD VERKRATZT.....</b>                | <b>26</b> |
| <b>HINWEISE ZUM SERVO.....</b>                  | <b>13</b> |  |           |

## SERVICE MANUAL

## TABLE OF CONTENTS

|    |  |           |
|----|--|-----------|
| 4  | 3. TRACKING SYSTEM.....                        | 13        |
|    | SYSTÈME DE POURSUITE.....                      | 13        |
| 4  | SYSTEM DER ABTASTUNG.....                      | 13        |
| 4  | 4. FOCUSING SYSTEM.....                        | 14        |
| 4  | SYSTÈME DE MISE AU POINT.....                  | 14        |
| 4  | SYSTEM DER FOKUSSIERUNG.....                   | 14        |
| 4  | <b>VII. ADJUSTMENT.....</b>                    | <b>16</b> |
| 4  | <b>RÉGLAGE.....</b>                            | <b>16</b> |
| 4  | <b>EINSTELLUNG.....</b>                        | <b>16</b> |
| 4  | 1. CHECKS PRIOR TO ADJUSTMENT.....             | 18        |
| 4  | VÉRIFICATIONS AVANT RÉGLAGE.....               | 18        |
| 4  | KONTROLLEN VOR DER EINSTELLUNG.....            | 18        |
| 4  | 2. APC ADJUSTMENT.....                         | 18        |
| 5  | RÉGLAGE DU CIRCUIT APC.....                    | 18        |
| 5  | APC-EINSTELLUNG.....                           | 18        |
| 5  | 3. OFF-SET ADJUSTMENT.....                     | 19        |
| 5  | RÉGLAGE DE BALANCE.....                        | 19        |
| 5  | OFFSET-EINSTELLUNG.....                        | 19        |
| 5  | 4. BALANCE ADJUSTMENT.....                     | 21        |
| 5  | RÉGLAGE DE LA BALANCE.....                     | 21        |
| 5  | BALANCE-EINSTELLUNG.....                       | 21        |
| 5  | 5. RADIAL LEVEL ADJUSTMENT.....                | 22        |
| 5  | RÉGLAGE DU NIVEAU RADIAL.....                  | 22        |
| 5  | RADIALPEGEL-EINSTELLUNG.....                   | 22        |
| 5  | 6. RADIAL GAIN DETERMINATION.....              | 23        |
| 5  | DÉTERMINATION DU GAIN RADIAL.....              | 23        |
| 5  | BESTIMMUNG DER                                 |           |
| 5  | RADIALVERSTÄRKUNG.....                         | 23        |
| 5  | 7. DISC MOTOR CONTROL ADJUSTMENT.....          | 23        |
| 5  | RÉGLAGE DU CONTRÔLE                            |           |
| 5  | DU MOTEUR DU DISQUE.....                       | 23        |
| 5  | EINSTELLUNG DER DISC-                          |           |
| 5  | MOTORREGELUNG.....                             | 23        |
| 5  | 8. AUTO SIGNAL BALANCE.....                    | 23        |
| 5  | SIGNAL AUTOMATIQUE DE BALANCE.....             | 23        |
| 5  | AUTO-SIGNAL-BALANCE.....                       | 23        |
| 5  | <b>VIII. AN OUTLINE OF FREQUENT COMPLAINTS</b> |           |
| 5  | <b>AND THEIR REMEDIES.....</b>                 | <b>24</b> |
| 5  | <b>LES PROBLÈMES ET LEUR REMÈDES.....</b>      | <b>24</b> |
| 5  | <b>ÜBERBLICK AUF DIE HÄUFIGSTEN</b>            |           |
| 5  | <b>REKLAMATIONEN UND IHRE</b>                  |           |
| 5  | <b>BEHEBUNG.....</b>                           | <b>24</b> |
| 5  | 1. NO SOUNDS EMITTED.....                      | 24        |
| 5  | PAS DE SON.....                                | 24        |
| 5  | KEINE KLANGWIEDERGABE.....                     | 24        |
| 6  | 2. INTERMITTENT SOUND.....                     | 24        |
| 6  | SON INTERMITTENT.....                          | 24        |
| 6  | KLANGWIEDERGABE MIT UNTER-                     |           |
| 7  | BRECHUNGEN.....                                | 24        |
| 8  | 3. DISTORTED SOUND.....                        | 24        |
| 8  | SON DÉFORMÉ.....                               | 24        |
| 8  | KLANGVERZERRUNG.....                           | 24        |
| 9  | 4. NOISE.....                                  | 25        |
| 9  | BRUITS.....                                    | 25        |
| 9  | RAUSCHEN.....                                  | 25        |
| 10 | 5. WOW AND FLUTTER.....                        | 25        |
| 10 | FLUCTUATION ET SCINTILLEMENT.....              | 25        |
| 10 | GLEICHLAUFSCHWANKUNGEN.....                    | 25        |
| 11 | 6. AUTO-SYSTEM MALFUNCTIONS.....               | 25        |
| 11 | MAUVAIS FONCTIONNEMENT                         |           |
| 11 | DU SYSTÈME AUTOMATIQUE.....                    | 25        |
| 11 | BETRIEBSSTÖRUNGEN DER AUTOMATIK.....           | 25        |
| 11 | 7. MECHANICAL NOISES.....                      | 26        |
| 11 | BRUITS MÉCANIQUES.....                         | 26        |
| 11 | MECHANISCHE GERÄUSCHE.....                     | 26        |
| 13 | 8. DISC GETS SCRATCHED.....                    | 26        |
| 13 | RAYURES CAUSÉES AU DISQUE.....                 | 26        |
| 13 | DISC WIRD VERKRATZT.....                       | 26        |

|      |  |           |
|------|--|-----------|
|      | 9. POOR FREQUENCY RESPONSE.....              | 26        |
|      | MAUVAISE RÉPONSE EN FREQUENCE.....           | 26        |
|      | SCHLECHTER FREQUENZGANG.....                 | 26        |
| IX.  | <b>MODEL CD-D1 TROUBLESHOOTING.....</b>      | <b>27</b> |
|      | <b>RECHERCHE DE PANNE SUR LE</b>             |           |
|      | <b>MODELE CD-D1.....</b>                     | <b>27</b> |
|      | <b>MODELL CD-D1 FEHLERSUCHE.....</b>         | <b>27</b> |
|      | 1. FAULT DIAGNOSIS FLOW CHART.....           | 27        |
|      | TABLEAU DE RÉPARATIONS                       |           |
|      | DANS L'ORDRE.....                            | 27        |
|      | REPARATUR-FLUSSDIAGRAMM.....                 | 27        |
|      | 2. LASER CIRCUIT FAULT DIAGNOSIS             |           |
|      | FLOW CHART.....                              | 28        |
|      | TABLEAU DE RÉPARATION                        |           |
|      | DU CIRCUIT LASER.....                        | 28        |
|      | REPARATUR-FLUSSDIAGRAMM FÜR                  |           |
|      | DEN LASER-SCHALTREIS.....                    | 28        |
|      | 3. FOCUS SERVO CIRCUIT FAULT                 |           |
|      | DIAGNOSIS FLOW CHART.....                    | 29        |
|      | TABLEAU DE RÉPARATION DE L'ASSER-            |           |
|      | VISSEMENT DE MISE AU POINT.....              | 29        |
|      | REPARATUR-FLUSSDIAGRAMM FÜR                  |           |
|      | DEN FOKUS-SERVO-SCHALTREIS.....              | 29        |
|      | 4. RF CIRCUIT FAULT DIAGNOSIS                |           |
|      | FLOW CHART.....                              | 30        |
|      | TABLEAU DE RÉPARATION DU                     |           |
|      | CIRCUIT RF.....                              | 30        |
|      | REPARATUR-FLUSSDIAGRAMM FÜR                  |           |
|      | DEN HF-SCHALTREIS.....                       | 30        |
|      | 5. TRACKING SERVO CIRCUIT FAULT              |           |
|      | DIAGNOSIS FLOW CHART.....                    | 31        |
|      | TABLEAU DE RÉPARATION DE L'ASSER-            |           |
|      | VISSEMENT DE POURSUITE DE PISTE.....         | 31        |
|      | REPARATUR-FLUSSDIAGRAMM FÜR                  |           |
|      | DEN SPURNACHFÜHRUNGS-                        |           |
|      | SERVOSCHALTREIS.....                         | 31        |
|      | 6. MOTOR CONTROL CIRCUIT FAULT               |           |
|      | DIAGNOSIS FLOW CHART.....                    | 32        |
|      | TABLEAU DE RÉPARATION DU CIRCUIT             |           |
|      | DE CONTRÔLE DU MOTEUR.....                   | 32        |
|      | REPARATUR-FLUSSDIAGRAMM FÜR                  |           |
|      | DEN MOTORREGEL-SCHALTREIS.....               | 32        |
|      | 7. DATA PROCESSING CIRCUIT FAULT             |           |
|      | DIAGNOSIS FLOW CHART.....                    | 33        |
|      | TABLEAU DE RÉPARATION DU CIRCUIT             |           |
|      | PROCESSEUR D'INFORMATION.....                | 33        |
|      | REPARATUR-FLUSSDIAGRAMM FÜR                  |           |
|      | DEN DATENVERARBEITUNGS-                      |           |
|      | SCHALTREIS.....                              | 33        |
|      | 8. AUDIO CIRCUIT FAULT                       |           |
|      | DIAGNOSIS FLOW CHART.....                    | 34        |
|      | TABLEAU DE RÉPARATION DU CIRCUIT             |           |
|      | AUDIO.....                                   | 34        |
|      | REPARATUR-FLUSSDIAGRAMM                      |           |
|      | FÜR DEN AUDIO-SCHALTREIS.....                | 34        |
| X.   | <b>VARIOUS WAVEFORMS AT EACH</b>             |           |
|      | <b>CHECK POINT.....</b>                      | <b>35</b> |
|      | <b>FORMES D'ONDE DIVERSES À CHAQUE</b>       |           |
|      | <b>POINT DE CONTRÔLE.....</b>                | <b>35</b> |
|      | <b>VERSCHIEDENE WELLENFORMEN AN</b>          |           |
|      | <b>JEDEM KONTROLLPUNKT.....</b>              | <b>35</b> |
|      | 1. SERVO P.C BOARD.....                      | 35        |
|      | 2. POWER/DIGITAL P.C BOARD.....              | 36        |
|      | 3. DECODER/SYSCON P.C BOARD.....             | 36        |
| XI.  | <b>P.C BOARD TITLES AND IDENTIFICATION</b>   |           |
|      | <b>NUMBERS.....</b>                          | <b>38</b> |
|      | <b>TITRES ET NUMÉROS D'IDENTIFICATION DE</b> |           |
|      | <b>PLAQUETTES DE CIRCUITS IMPRIMÉS.....</b>  | <b>38</b> |
|      | <b>TITEL UND KENNNUMMERN FÜR GEDRUCKTE</b>   |           |
|      | <b>SCHALTUNGEN.....</b>                      | <b>38</b> |
| XII. | <b>COMPOSITION VARIOUS P.C BOARDS.....</b>   | <b>39</b> |
|      | <b>COMPOSITION DE DIVERSE PLAQUETTES</b>     |           |
|      | <b>DE CIRCUITS IMPRIMÉS.....</b>             | <b>39</b> |
|      | <b>ZUSAMMENSTELLUNG VON VERSCHIEDENEN</b>    |           |
|      | <b>GEDRUCKTEN SCHALTUNGEN.....</b>           | <b>39</b> |
|      | 1. SERVO P.C BOARD.....                      | 39        |
|      | 2. DECODER/SYSCON P.C BOARD.....             | 40        |
|      | 3. POWER/DIGITAL P.C BOARD.....              | 41        |
|      | 4. KEY P.C BOARD APSSW267AA.....             | 42        |
|      | 5. OTHER P.C BOARDS.....                     | 42        |

# I. PRECAUTIONS IN REPAIRING PRÉCAUTION À PRENDRE LORS DE RÉPARATION VORSICHTSMASSNAHMEN BEI DER REPARATUR

## 1-1. BEFORE EXAMINATION

## 1-1. AVANT EXAMEN

## 1-1. VOR KONTROLLE

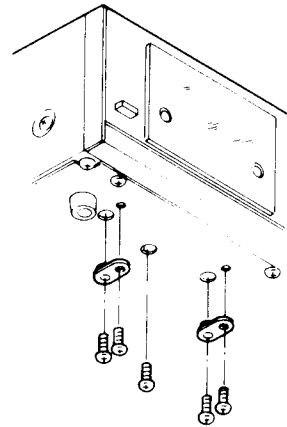


Fig. 1-1 Transit Screws

When inspecting or adjusting units, make sure that the shipping screws have been removed. (If the transit screws are not removed, the pickup block will not move and may be thought to be defective.)

En cas d'inspection ou de réglage d'une unité, assurez-vous que les vis de transport ont bien été retirées. (Si les vis de transport ne sont pas retirées, le bloc de lecture ne se déplacera pas, et on pourra le croire défectueux.)

Vor der Kontrolle bzw. Einstellung von Geräten sicherstellen, daß die Transportschrauben entfernt wurden. (Wenn die Transportschrauben nicht entfernt werden, bewegt sich der Abtast-Block nicht, man kann in diesem Fall irrtümlicherweise auf Betriebsstörung schließen.)

## 1-2. ELECTROSTATIC DESTRUCTION OF LASER DIODES

## 1-2. DESTRUCTION ÉLECTROSTATIQUE DES DIODES LASER

## 1-2. ELEKTROSTATISCHE ZERSTÖRUNG DER LASERDIODEN

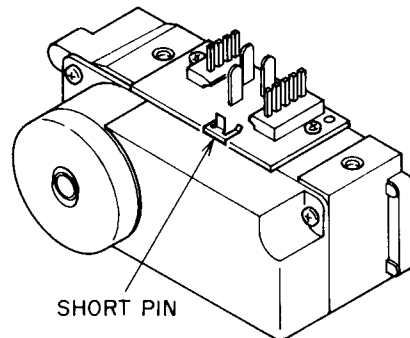


Fig. 1-2 Pickup Block

a) Particular caution must be exercised over electrostatic charges, because Laser diodes are easily destroyed electrostatically at tens of volts.

b) Laser diodes supplied as spare parts for replacement of pickup blocks have their terminals shorted with shorting clips. Make sure these shorting clips are only removed after soldering of the Laser diode terminals is completed. (Refer to Fig. 1-2)

Also, always be sure to short the Laser diode terminals before any attempt is made to disassemble the pickup block for any reason.

c) When soldering Laser diode terminals, the chassis, soldering iron, and the human body must first be made equipotential (shorted together) before the soldering operation takes place.

a) Les charges électrostatiques doivent être contrôlées avec une attention particulière, les diodes Laser pouvant être détruites facilement par des charges électrostatiques de dixièmes de volts.

b) Les diodes Laser de rechange fournies pour les blocs de lecture sont court-circuitées par des clips coupe-circuit, aux bornes. Veillez à ne retirer ces derniers qu'après avoir fini de souder les bornes de la diode Laser. (Voir Fig. 1-2) De plus, si pour une raison ou une autre le bloc de lecture doit être démonté, veillez à ce que les diodes Laser soient toujours, auparavant, mises hors-circuit aux bornes.

c) Lors de la soudure des bornes d'une diode laser, il faut, avant l'opération, rendre équipotentiels le châssis, le fer à souder, et le corps humain (ils doivent être court-circuités ensemble).

a) Bezüglich elektrostatischen Ladungen muß mit besonderer Vorsicht verfahren werden, da Laserdioden schon durch einige zehn Volt elektrostatisch zerstört werden können.

b) An den als Ersatzteilen mitgelieferten Laserdioden, die zum Austausch an den Abtast-Blöcken vorgesehen sind, wurden die Anschlüsse mit Überbrückungsklemmen kurzgeschlossen. Diese Kurzschlußklemmen auf jeden Fall erst entfernen, nachdem das Einlöten der Laserdioden-Anschlüsse abgeschlossen ist. (Siehe Fig. 1-2)

Aus dem gleichen Grund müssen stets bei Ausbau des Abtast-Blocks die Laserdioden-Anschlüsse zuvor kurzgeschlossen werden.

c) Vor dem Anlöten der Laserdioden-Anschlüsse müssen Chassis, Lötwerkzeug und der menschliche Körper äquipotential (miteinander kurzgeschlossen) werden.

### 1-3. DESTRUCTION OF LASER DIODES BY EXCESSIVE POWER INPUTS

- a) Under no circumstances, should 0.32 mW, the maximum allowable power, be exceeded.
- b) When dismantling the pickup block, be sure to set RV-101 in advance to maintain zero volts through the terminals of R108 (180 ohms, 1W) in the APC circuit.

### 1-4. PICKUP BLOCK (TAOHS) INTERIOR

- a) Meticulous optical adjustments of the pickup block (TAOHS) interior have been made at the factory by the use of special equipment. Accordingly, the interior should never be touched during field service.

### 1-5. OBJECTIVE LENS AREA OF PICKUP BLOCK (TAOHS)

- a) Due to the use of magnets in the objective lens area of the pickup block (TAOHS), iron particles and other dust are liable to be attracted into this area. Ingress of dust impedes lens movements, disabling tracking and focus servos. When forced to dismount a pickup block, cover up the opening with a piece of Scotch tape (cellophane tape) or equivalent.

### 1-6. PICKUP GUIDE SHAFT

Since the pickup guide shaft has been processed and assembled under conditions of extremely high precision, any scratches or bending inflicted on the guide shaft will disable the pickup block from following the correct movements.

### 1-3. DESTRUCTION DES DIODES LASER PAR UN EXCÈS DE PUISSANCE D'ENTRÉE

- a) En aucun cas la puissance maximum admissible, 0,32 mW, ne doit être dépassée.
- b) Lors du démontage du bloc de lecture, veillez à régler RV-101 à l'avance afin d'avoir zéro volt entre les bornes de R108 (180 ohms, 1W) dans le circuit APC.

### 1-4. INTÉRIEUR DU BLOC DE LECTURE (TAOHS)

- a) Des réglages optiques méticuleux du bloc de lecture (TAOHS) ont été effectués en usine, à l'aide d'équipements spéciaux. Par conséquent, l'intérieur ne doit jamais être manipulé lors de réparations.

### 1-5. PARTIE DU BLOC DE LECTURE (TAOHS) COMPRENANT LA LENTILLE DE L'OBJECTIF

- a) Etant donnée la présence d'aimants dans la partie du bloc de lecture comprenant la lentille de l'objectif (TAOHS), des particules de fer et autres poussières peuvent envahir cette zone. Ces pénétrations de poussière gênent les mouvements de la lentille, handicapant les asservissements de poursuite et de mise au point. Si l'on est obligé de démonter un bloc de lecture, il convient donc de recouvrir l'ouverture avec une bande de ruban adhésif.

### 1-6. TIGE DE GUIDAGE DE LA TÊTE DE LECTURE

La tige de guidage de la tête de lecture ayant été fabriquée et assemblée avec une précision extrême, toute rayure ou torsion infligée à la tige de guidage entrave le déplacement du bloc de lecture.

### 1-3. ZERSTÖRUNG VON LASERDIODEN DURCH ÜBERGROSSE EINGANGS-STROMSTÄRKE

- a) Auf keinen Fall darf eine größere Lichtleistung als 0,32 mW angelegt werden.
- b) Beim Ausbau des Abtast-Blocks auf jeden Fall den RV-101 zuvor so einstellen, daß an den Anschlüssen von R108 (120 Ohm, 1W) in der APC-Schaltung 0V gehalten werden.

### 1-4. ABTAST-BLOCK (TAOHS) INNERE TEILE

- a) Die Innenteile des Abtast-Blocks (TAOHS) wurden beim Hersteller unter Verwendung von Spezialgeräten optisch hochpräzise feineingestellt. Daher bei normalen Wartungsarbeiten die Innenteile auf keinen Fall berühren.

### 1-5. OBJEKTIVLINSEN-BEREICH DES ABTAST-BLOCKS (TAOHS)

- a) Da im Bereich der Objektivlinse des Abtast-Block (TAOHS) Magnete verwendet werden, können zwangsläufig Eisenpartikel und sonstige Staubteile in diesen Bereich eindringen. Durch Eindringen von Staub wird die Bewegung des Objektivs behindert, so daß die Arbeitsweise der Spurregelungs- und Fokussier-Servos beeinträchtigt wird. Wenn es erforderlich ist, den Abtast-Block auszubauen, verdeckt man die Öffnung mit Klebeband oder dergleichen.

### 1-6. ABTAST-FÜHRUNGSWELLE

Da die Abtast-Führungswelle hochpräzise hergestellt und eingebaut ist, können Kratzer oder Verbiegungen der Abtastwelle die Folgebewegungen des Abtast-Blocks beeinträchtigen.



**1-7. RANKING OF PICKUP BLOCKS BY PIN DIODE**

**1-7. CLASSEMENT DES BLOCS DE LECTURE SELON LA DIODE PIN**

**1-7. RANGFOLGE DER ABTAST-BLÖCKE NACH PIN-DIODEN**

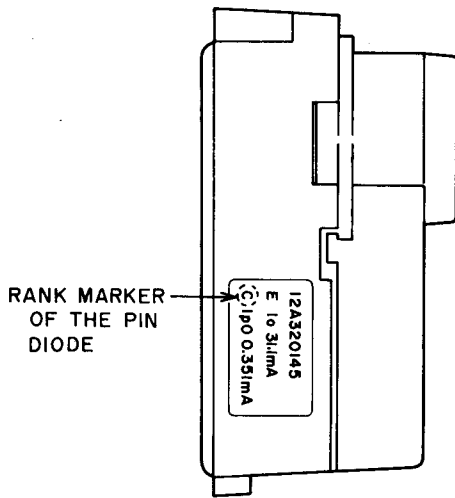


Fig. 1-3

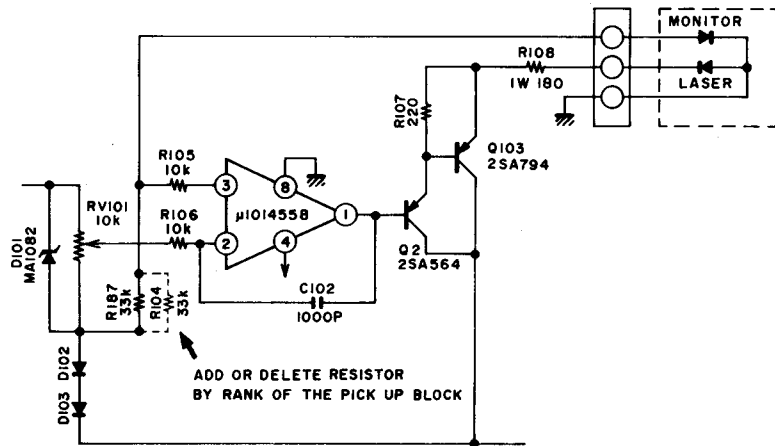


Fig. 1-4 APC Circuit

Pickup blocks are ranked into B and C ranks by the sensitivity of the PIN Junction Photo diode incorporated. For this reason, with units employing a B-rank block, only resistor R187 is used for the APC circuit, and R104 removed. With units employing a C-rank block, both the resistors, R187 and R104, are used together.

Les blocs de lecture sont classés dans les catégories B et C en fonction de la sensibilité de la diode de photo de jonction PIN employée. De ce fait, dans les unités qui utilisent un bloc de catégorie B, seule la résistance R187 est utilisée pour le circuit APC, et R104 est supprimée. Pour les unités pourvues d'un bloc de catégorie C, les deux résistances, R187 et R104, sont utilisées.

Die Abtast-Blöcke werden je nach Empfindlichkeit der eingebauten Verbindungsphoto-Diode in B- und C-Gruppen klassifiziert. Daher wird bei Geräten, die einen Block der B-Gruppe verwenden, in der APC-Schaltung nur der Widerstand R187 verwendet, R104 ist ausgebaut. Bei Geräten, in denen ein Block der C-Gruppe eingesetzt ist, werden beide Widerstände R187 und R104 zusammen verwendet.

**1-8. HANDLING OF DISCS**

**1-8. MANIPULATION DES DISQUES**

**1-8. UMGANG MIT DER DISC**

a) Since data is read off the disc by a Laser beam, scratches, warpings, and finger marks or similar blemishes on the disc are liable to generate errors, and care is needed in the handling of discs.

a) L'information étant lue à partir du disque par un faisceau Laser, les rayures, déformations et traces de doigts, ou l'équivalent, à la surface du disque peuvent engendrer des erreurs, et il convient de manipuler les disques avec précaution.

a) Da die Daten mit einem Laserstrahl von der Disc abgelesen werden, können Kratzer, Verwellungen und Fingerabdrücke o.dgl. auf der Disc Fehler produzieren. Daher die Disc mit entsprechender Vorsicht behandeln.

**1-9. THE DRIVER FOR LID PANEL SCREWS**

**1-9. TOURNEVIS POUR LES VIS DU CAPOT**

**1-9. SCHRAUBENZIEHER FÜR DIE DECKELSCHRAUBEN**

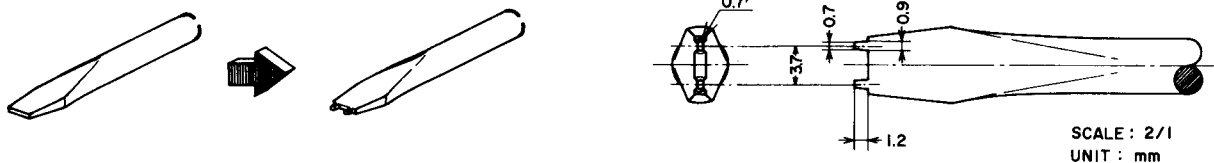


Fig. 1-5

Fig. 1-5 shows the method of making a special driver to loosen the Lid Panel Screws.

Fig. 1-5 montre comment fabriquer un tournevis spécial pour desserrer les vis du capot.

In Fig. 1-5 ist das Verfahren zur Herstellung eines Spezialschraubenziehers zum Lösen der Deckelschrauben dargestellt.

## II. SPECIFICATIONS

### CD-D1

|                         |  |
|-------------------------|--|
| Frequency response      | 20 Hz to 20 kHz $\pm$ 0.5 dB   |
| S/N ratio               | More than 90 dB  |
| Dynamic range           | More than 90 dB  |
| Channel separation      | More than 90 dB  |
| Harmonic distortion     | Less than 0.005%   |
| Wow/Flutter             | Quartz Accuracy  |
| Output level            | 2.0 V rms (100% mod.)  |
| Play start time         | Approx. 2 seconds  |
| F. FWD, F. REV time     | Approx. 4 seconds  |
| Random access time      | Average 3 seconds  |
| Power requirement       | 120V, 60 Hz for USA and Canada<br>220V, 50 Hz for Europe except UK<br>240V, 50 Hz for UK and Australia |
| Dimensions              | 440 (W) $\times$ 145 (H) $\times$ 320 (D) mm (17.3 $\times$ 5.7 $\times$ 12.6 inches)                  |
| Weight                  | 7.4 kg (16.3 lbs)  |
| <b>Disc</b>             |  |
| Playback time           | Approx. 60 min. (single side)  |
| Scanning velocity       | 1.2 to 1.4 m/s   |
| Revolution              | Counterclockwise (viewed from pick-up side)  |
| Track pitch             | 1.6 microns  |
| Disc diameter           | 120 mm   |
| Disc thickness          | 1.2 mm   |
| Center hole diameter    | 15 mm  |
| Starting diameter       | 50 mm  |
| <b>Signal format</b>    |  |
| Number of channels      | 2  |
| Quantization            | 16 bit linear/channel<br>2's Complement  |
| Error correction        | CIRC   |
| Sampling frequency      | 44.1 kHz   |
| Channel modulation code | E.F.M.   |
| Channel bit rate        | 4.3218 Mb/s  |

\* For improvement purposes, specifications and design are subject to change without notice.

## II. SPÉCIFICATIONS

### CD-D1

|                                       |   |
|---------------------------------------|---|
| Réponse en fréquence                  | 20 Hz à 20 kHz $\pm$ 0,5 dB   |
| Rapport signal/bruit                  | Supérieur à 90 dB   |
| Gamme dynamique                       | Supérieur à 90 dB   |
| Séparation de canal                   | Supérieur à 90 dB   |
| Distorsion harmonique                 | Inférieure à 0,005%   |
| Pleurage/scintillement                | Précision à quartz  |
| Niveau de sortie                      | 2,0 Vms (mod. 100%)   |
| Délaï de démarrage de la reproduction | Approx. 2 secondes  |
| Durée d'avance rapide/retour          | Approx. 4 secondes  |
| Temps d'accès direct                  | 3 secondes en moyenne   |
| Alimentation                          | 120V, 60 Hz pour Etats-Unis et le Canada<br>220V, 50 Hz pour l'Europe sauf le Royaume-Uni<br>240V, 50 Hz pour le Royaume-Uni et l'Australie |
| Dimensions                            | 440 (L) $\times$ 145 (H) $\times$ 320 (P) mm  |
| Poids                                 | 7,4 kg  |

### Disc

|                          |   |
|--------------------------|---|
| Durée de reproduction    | Approx. 60 min. (côté unique)   |
| Vitesse de balayage      | 1,2 à 1,4 m/s   |
| Rotation                 | Sens inverse des aiguilles d'une montre (vue depuis le côté du capteur) |
| Pas de piste             | 1,6 micromètre  |
| Diamètre du disc         | 120 mm  |
| Épaisseur du disc        | 1,2 mm  |
| Diamètre du trou central | 15 mm   |
| Diamètre de démarrage    | 50 mm   |

### Format du signal

|                             |                                      |
|-----------------------------|--------------------------------------|
| Nombre de canaux            | 2                                    |
| Quantification              | 16 bits linéaires/complément canal 2 |
| Correction d'erreur         | CIRC                                 |
| Fréquence d'échantillonnage | 44,1 kHz                             |
| Code de modulation de canal | E.F.M.                               |
| Taux de bits par canal      | 4.3218 Mb/s                          |

\* Aux fins d'amélioration les caractéristiques et la conception sont sujettes à des modifications sans préavis.

### III. TECHNISCHE DATEN

#### CD-D1

|                                  |  |
|----------------------------------|--|
| Frequenzgang                     | 20 Hz bis 20 kHz $\pm$ 0,5 dB  |
| Fremdspannungsabstand            | Mehr als 90 dB   |
| Dynamikbereich                   | Mehr als 90 dB   |
| Kanaltrennung                    | Mehr als 90 dB   |
| Klirrfaktor                      | Weniger als 0,005%   |
| Gleichlaufschwankungen           | Quarzgenauigkeit   |
| Ausgangspegel                    | 2,0 mV (100% Mod.)   |
| Wiedergabe-Startzeit             | Ca. 2 Sekunden   |
| Zeit für schnellen Vor-/Rücklauf | Ca. 4 Sekunden   |
| Zeit für den direkten Zugriff    | Durchschnittlich 3 Sekunden  |
| Stromversorgung                  | 120V, 60 Hz für USA und Kanada<br>220V, 50 Hz für Europa außer Großbritannien<br>240V, 50 Hz für Großbritannien und Australien |
| Abmessungen                      | 440 (B) $\times$ 145 (H) $\times$ 320 (T) mm   |
| Gewicht                          | 7,4 kg   |

#### Disc

|                            |  |
|----------------------------|--|
| Wiedergabezeit             | Etwa 60 Min. (nur eine Seite)                                  |
| Abtastgeschwindigkeit      | 1,2 – 1,4 m/Sek.   |
| Drehbewegung               | Im Gegenuhrzeigersinn (von der abgetasteten Seite aus gesehen) |
| Spurteilung                | 1,6 Mikrometer   |
| Disc-Durchmesser           | 120 mm   |
| Disc-Stärke                | 1,2 mm   |
| Durchmesser des Mittelochs | 15 mm  |
| Aufangsdurchmesser         | 50 mm  |

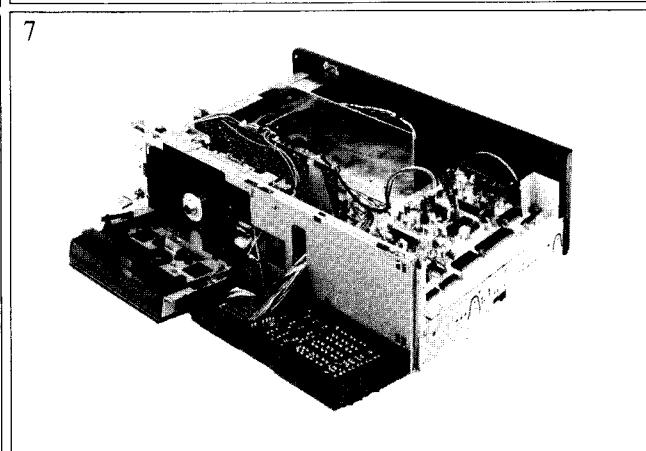
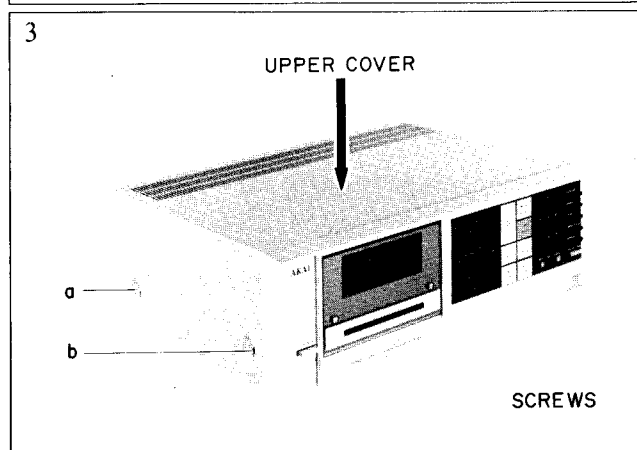
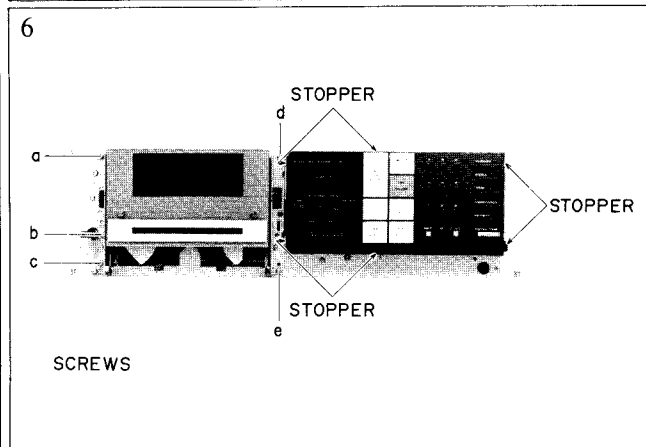
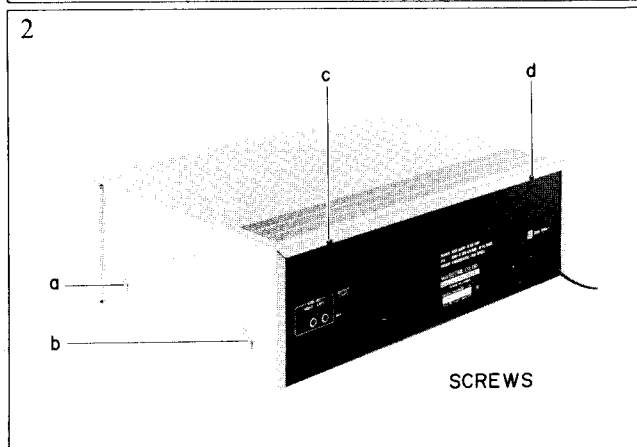
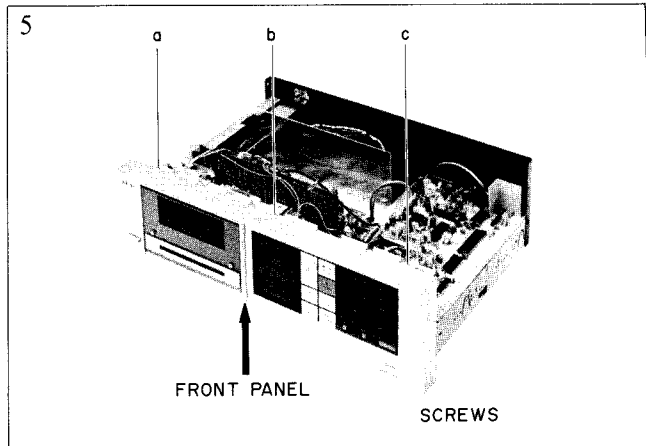
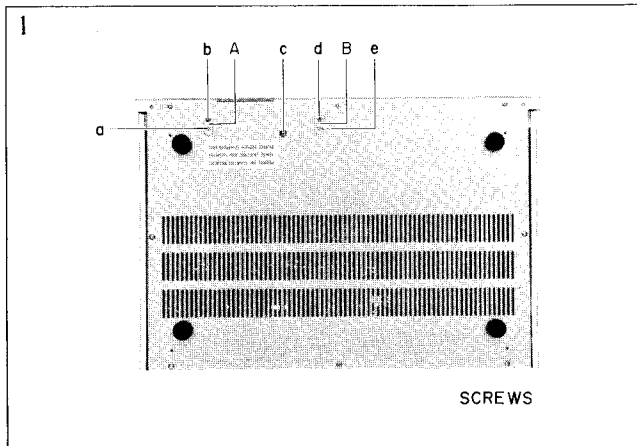
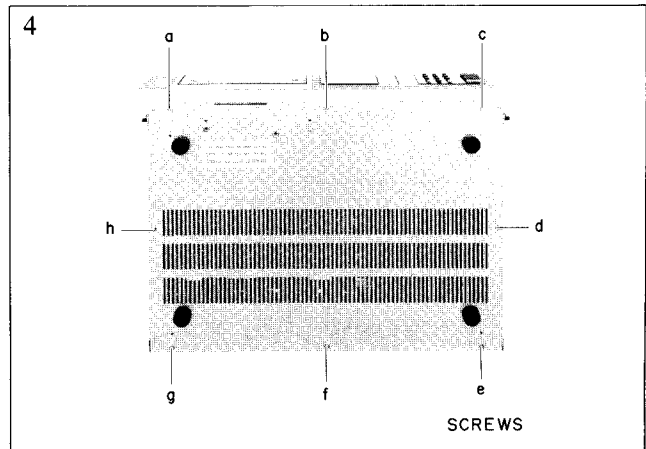
#### Signalformat

|   |                                      |
|---|--------------------------------------|
| Anzahl von Kanälen                      | 2                                    |
| Quantisierung                           | 16 Bit linear/Komplement von Kanal 2 |
| Fehlerkorrektur                         | CIRC                                 |
| Abtastfrequenz                          | 44,1 kHz                             |
| Kanalumsetzungskode                     | E.F.M.                               |
| Kanalübertragungsgeschwindigkeit in Bit | 4,3218 Mb/Sek.                       |

\* Änderungen der Konstruktion und technische Daten bleiben im Sinne der ständigen Verbesserungen vorbehalten.

### III. DISMANTLING OF UNIT DÉMONTAGE DE L'UNITÉ ZERLEGUNG DES GERÄTES

In case of trouble, etc. necessitating dismantling, please dismantle in the order shown in the photographs. Reassemble in reverse order.



IV. CONTROLS  
 CONTRÔLE  
 ANORDNUNG

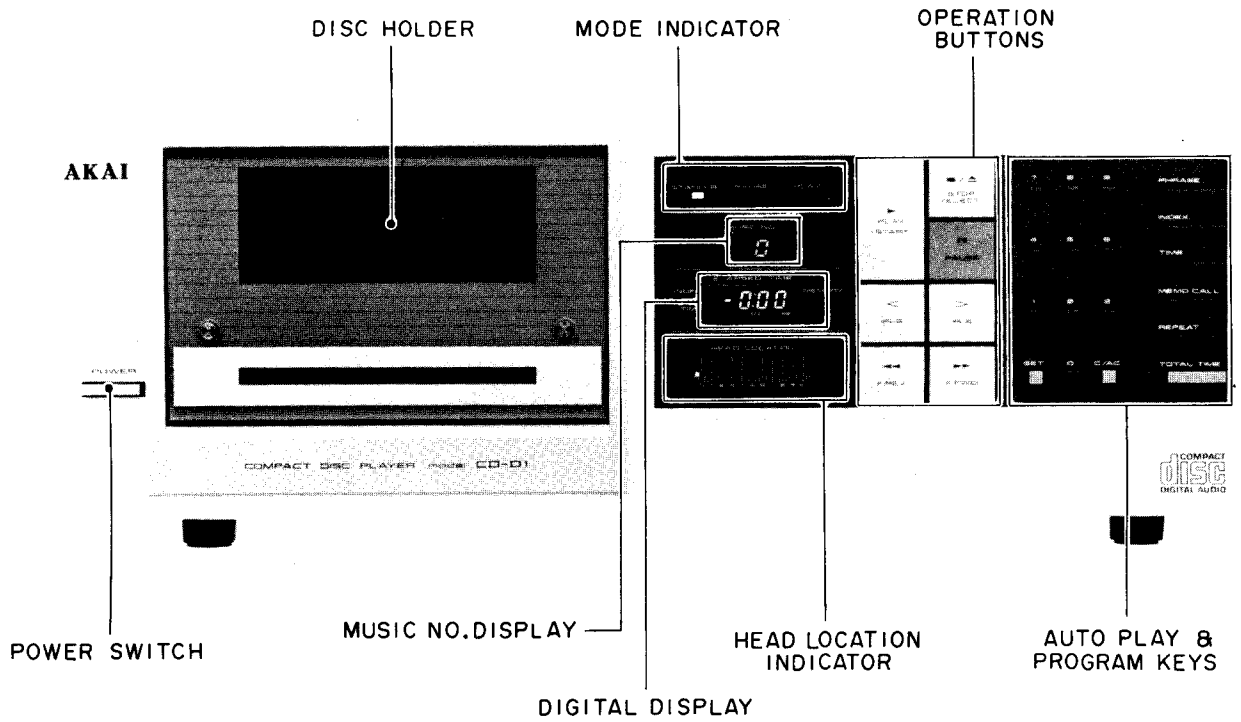


Fig. 4-1 Front View

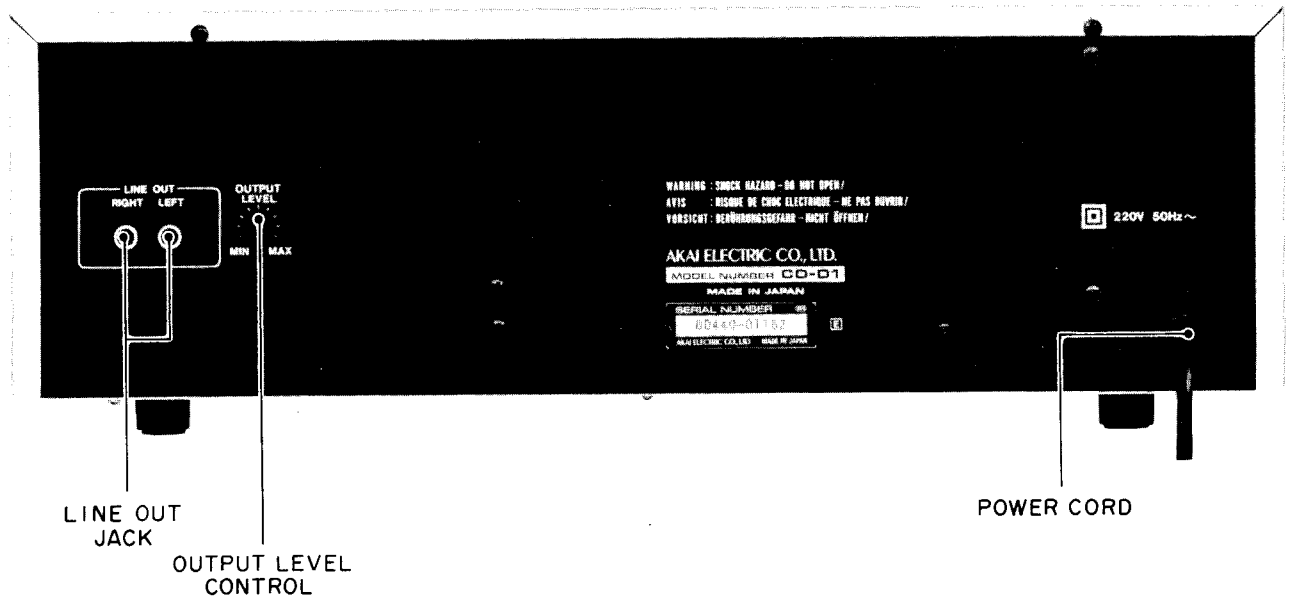


Fig. 4-2 Rear View

**V. PRINCIPAL PARTS LOCATION  
EMPLACEMENT DES PIÈCES PRINCIPALES  
LAGE DER HAUPTTEILE**

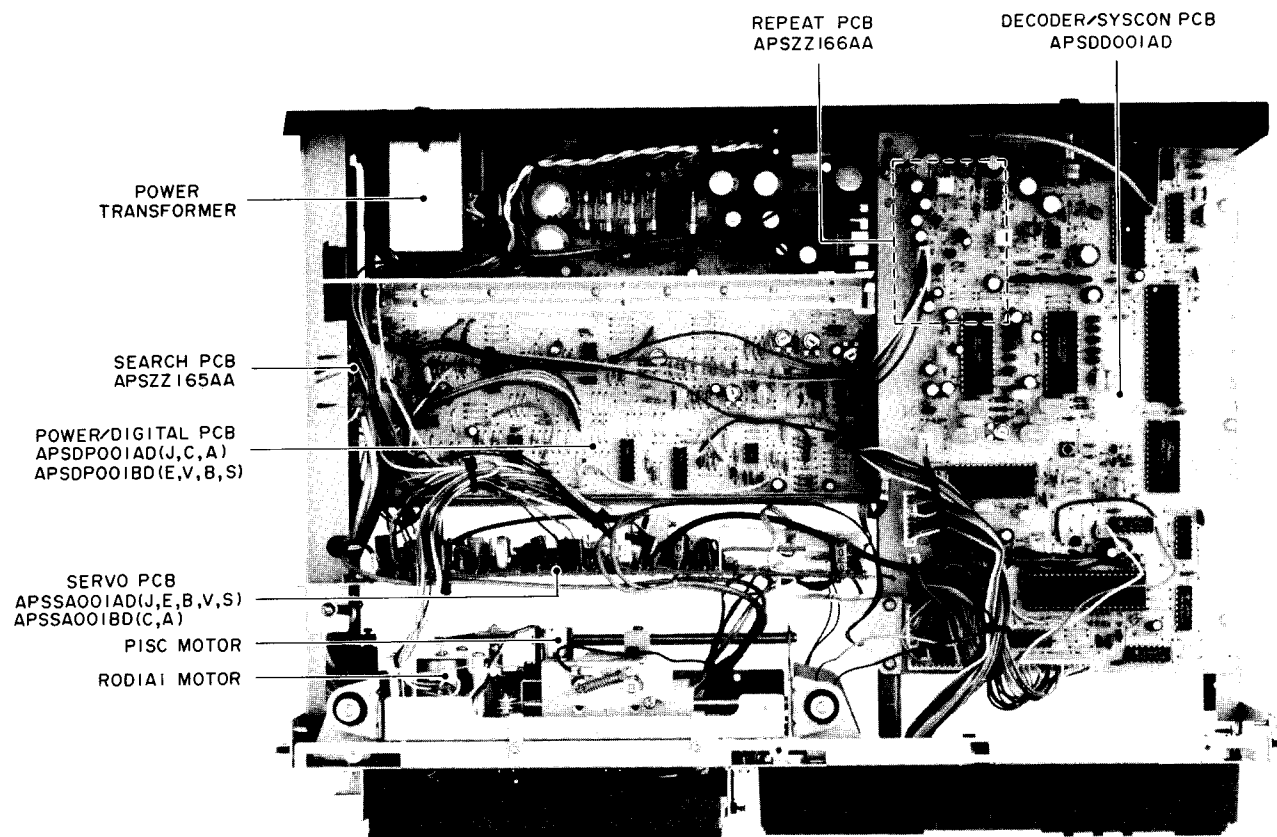


Fig. 5-1 Top View

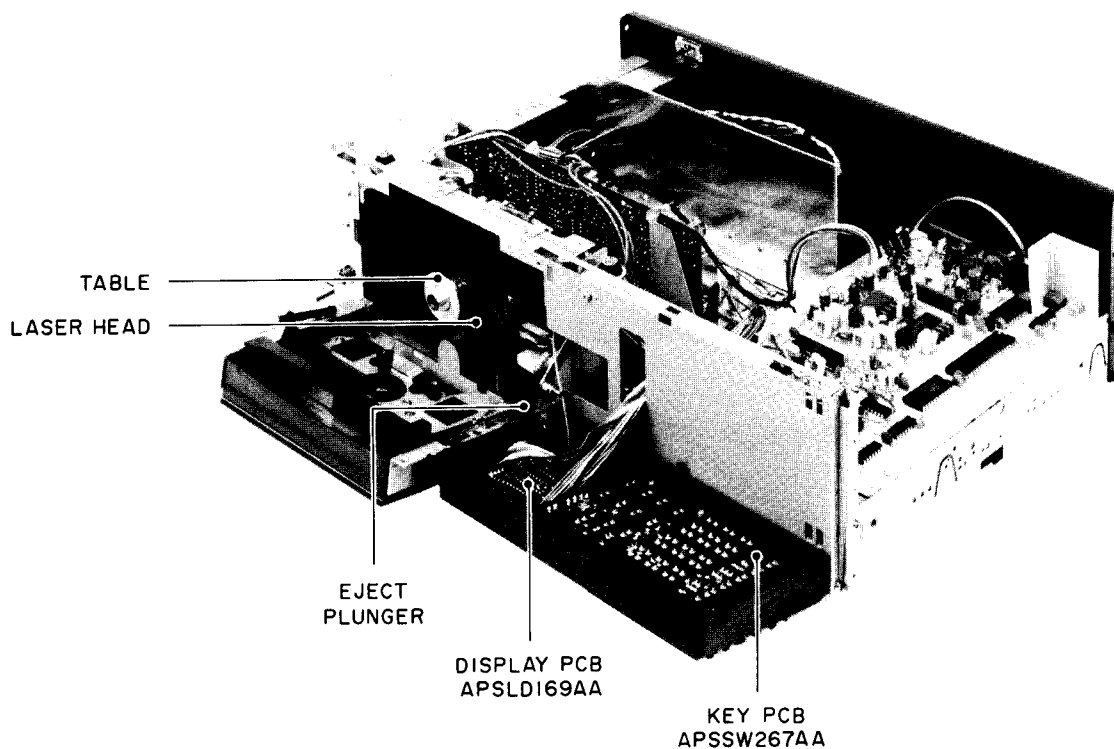


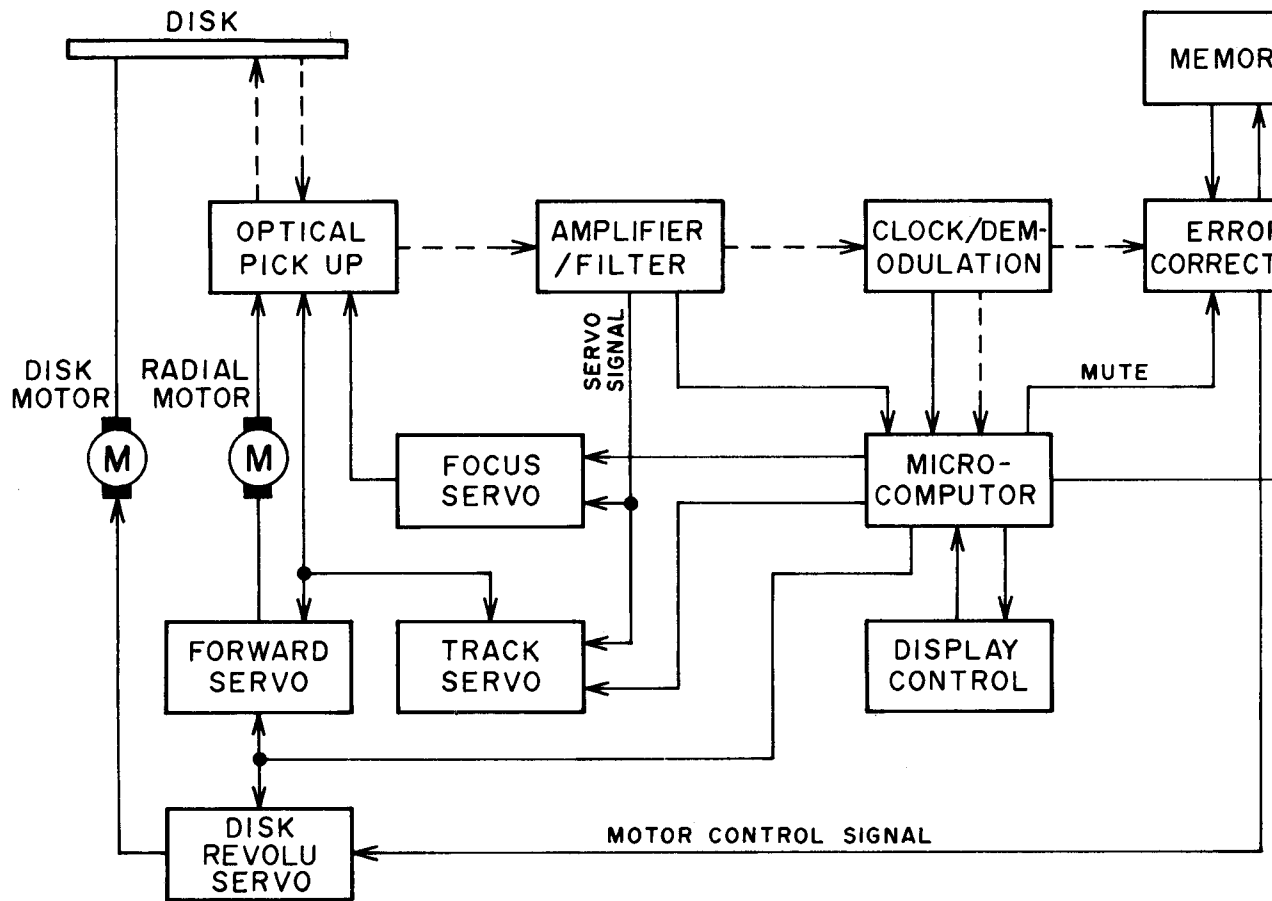
Fig. 5-2 Front View

VI. OUTLINE DESCRIPTION  
DESCRIPTION GÉNÉRALE  
BESCHREIBUNG

6-1. BASIC STRUCTURE OF THE CD PLAYER  
(Refer to Figs. 6-1 & 6-2)

6-1. STRUCTURE DE BASE DE LA PLATINE CD  
(Voir Figs 6-1 et 6-2)

6-1.





### 6-1. GRUNDSÄTZLICHER AUFBAU DES CD-SPIELERS (Siehe Figs. 6-1 & 6-2)

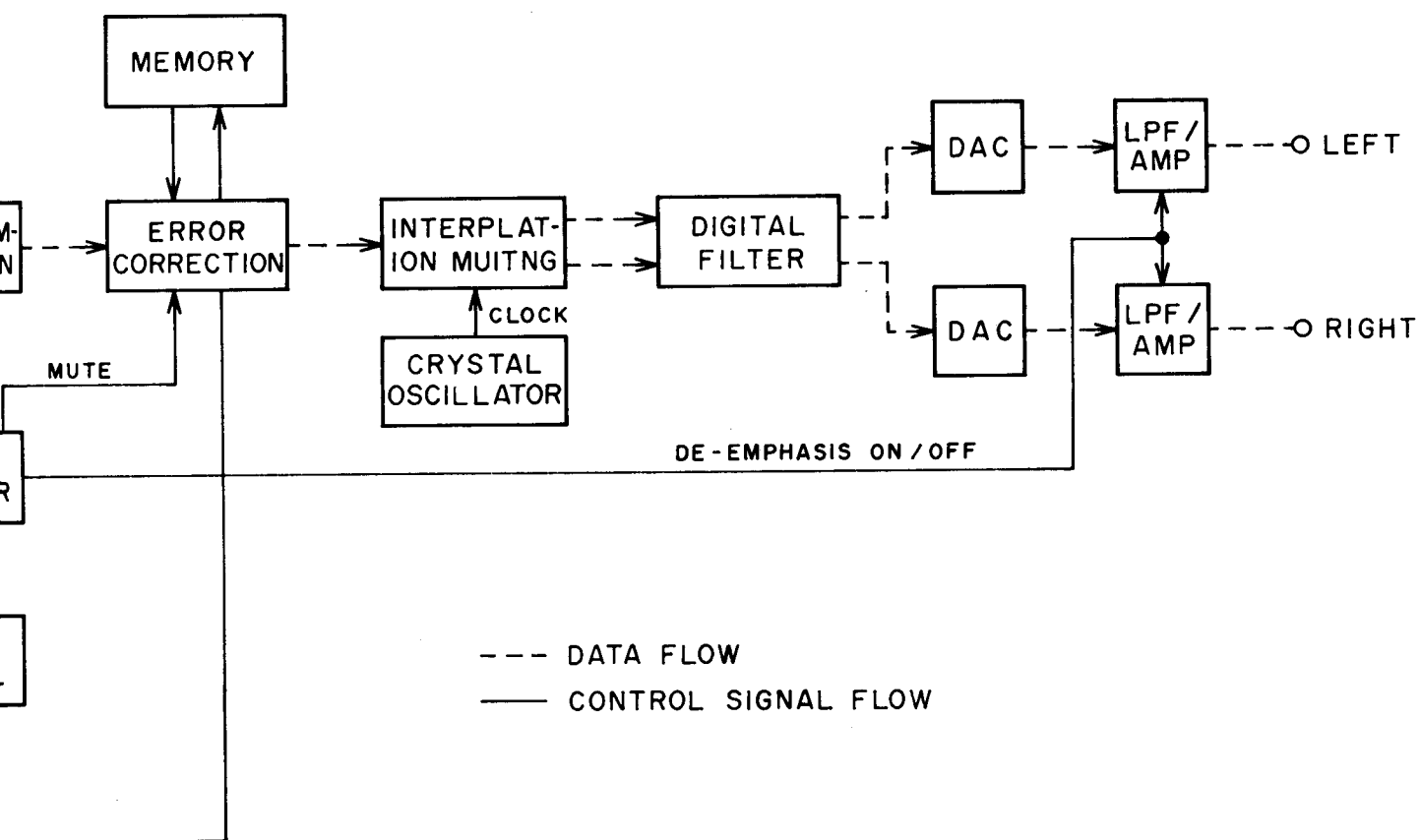
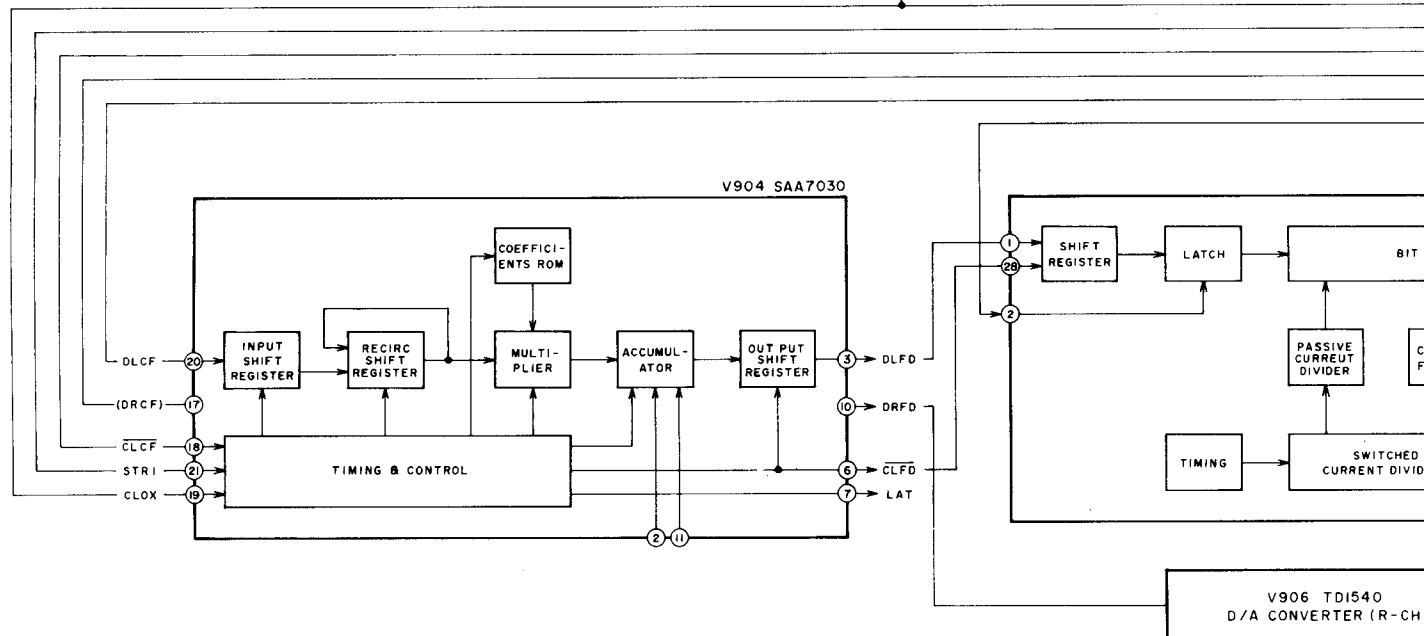
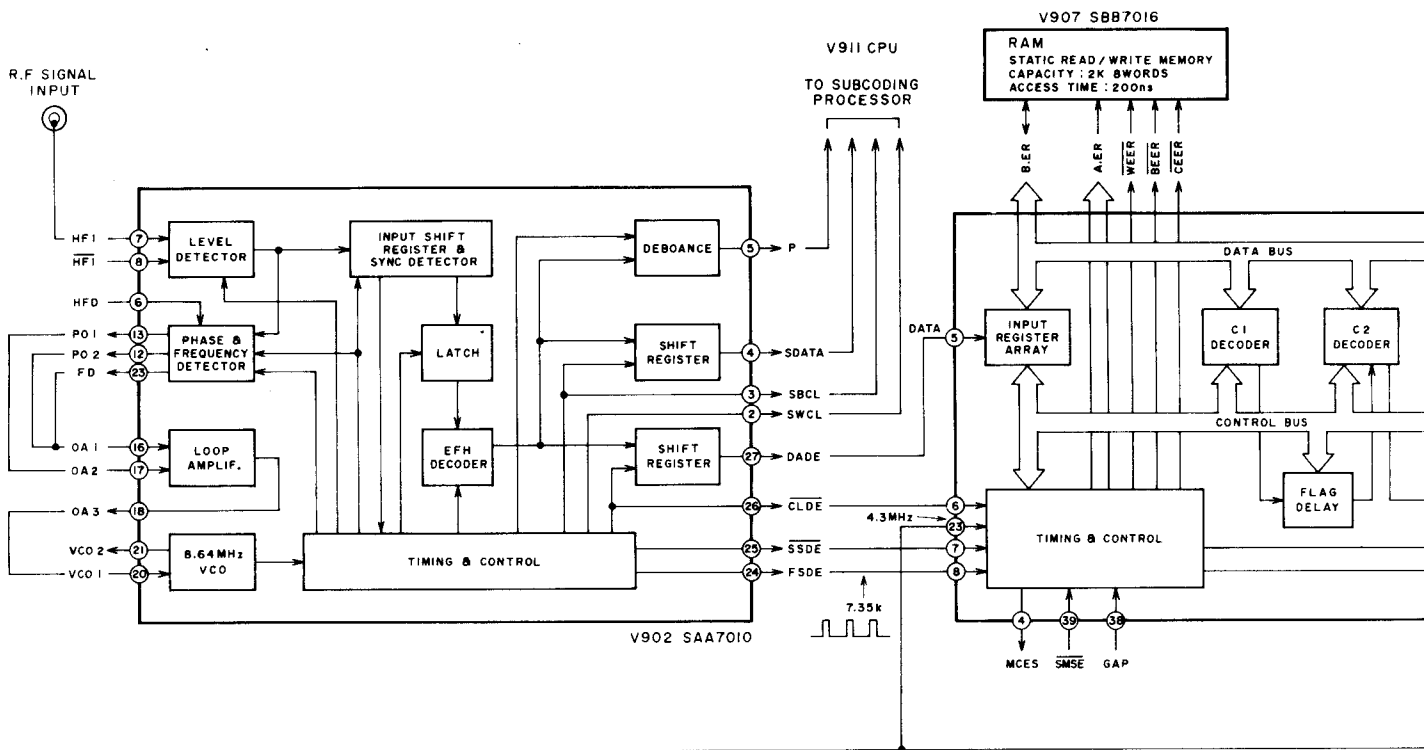


Fig. 6-1 Block Diagram of CD-D1



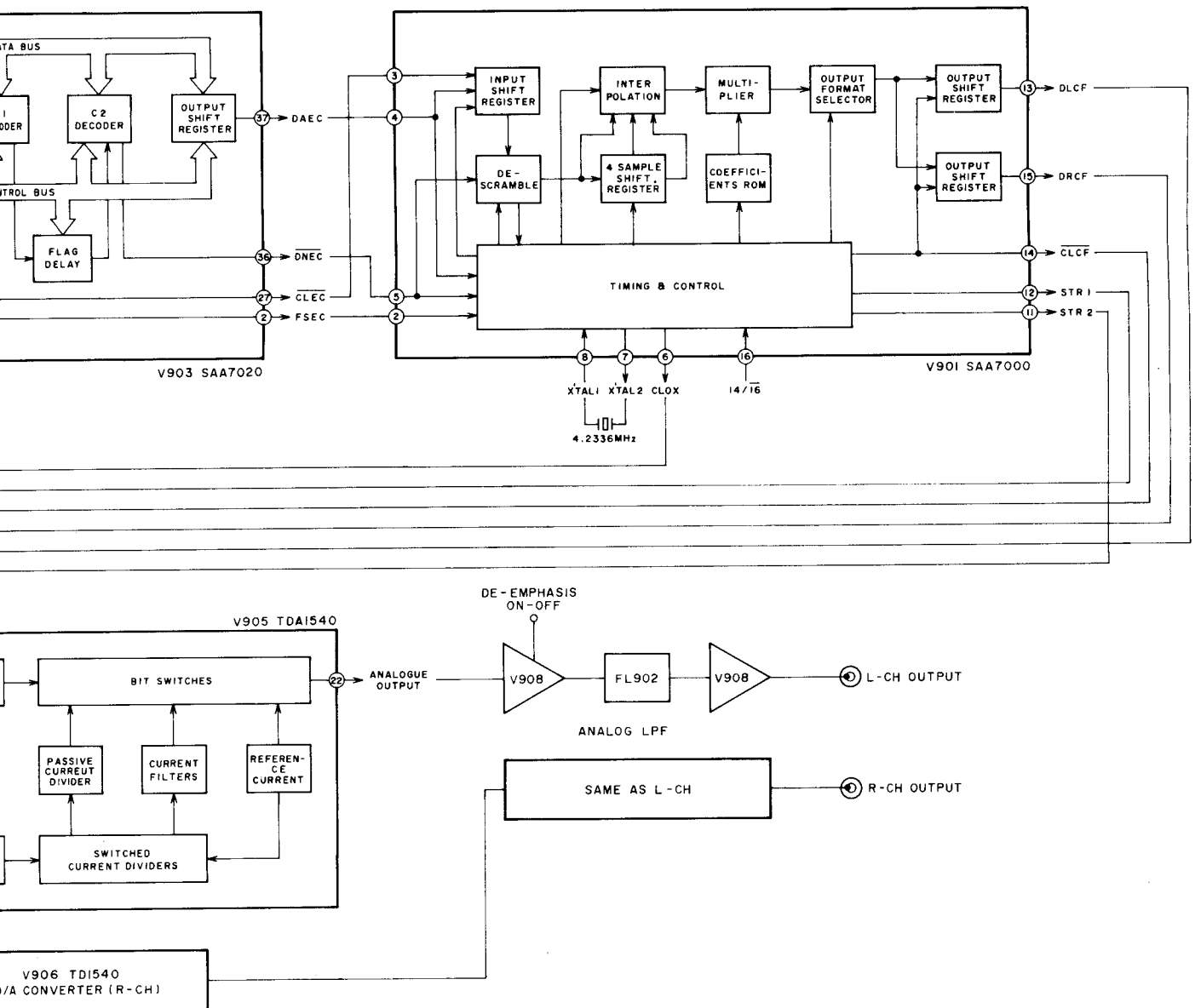


Fig. 6-2 Signal Process of C.D Block Diagram

## 6-2. RELATIVE TO SERVO

In compact disc players, a Laser beam picks up the signal on discs by detecting the difference between the protrusions and recesses thereon.

In order to pick the signals up correctly, the laser beam is required to focus on the disc areas bearing protrusions and recesses, and to properly trace the recorded tracks of the disc. With a CD, however, there are no grooves as found on an analog disc, nor is the pickup in physical contact with the disc. Instead, the laser beam used for the detection of CD signals also serves for the detection of misfocusing and mistracking. Described below are the focusing error detection method and the mistracking detection method as employed for the CD. The pickup block is depicted in Figs. 2 and 3. Focusing is achieved by moving the objective lens closer or farther away, and tracking by transverse shifts of the lens as well by moving the entire pickup block.

## 6-2. A PROPOS DE

### L'ASSERVISSEMENT

Dans les lecteurs de disques compacts, un faisceau laser lit le signal porté sur le disque à partir des dénivellations que comporte ce dernier.

Afin de lire le signal correctement, le faisceau laser doit être dirigé sur les parties du disque comportant dénivellations, et suivre convenablement les pistes enregistrées sur le disque. Mais en ce qui concerne les disques compacts, il n'y a pas de sillons comme sur un disque traditionnel, ni de contact physique entre la tête de lecture et le disque. Au lieu de cela, le faisceau laser servant à la détection du signal CD est également utilisé pour détecter les erreurs de mise au point et de piste.

La description qui suit est celle de la méthode de détection des erreurs de mise au point et des erreurs de pistes pour la platine CD. Le bloc de lecture est décrit dans les Figs. 2 et 3. La mise au point s'effectue en rapprochant ou en éloignant la lentille de l'objectif, et la poursuite de la piste en déplaçant transversalement la lentille, ainsi qu'en déplaçant l'ensemble de bloc de lecture.

## 6-2. HINWEISE ZUM SERVO

Beim CD-Spieler tastet ein Laserstrahl die auf der Digitalschallplatte im Form von Erhöhungen und Vertiefungen aufgezeichneten Signale ab.

Um eine korrekte Signalabtastung zu gewährleisten, muß der Laserstrahl genau auf den Bereich der Erhöhungen und Vertiefungen fokussiert werden, desgleichen ist eine präzise Abtastung der auf der Disc aufgenommenen Spuren erforderlich. Bei der CD sind jedoch keine Rillen vorhanden wie auf herkömmlichen Analogschallplatten und der Abtaster befindet sich auch nicht im physischen Kontakt mit der Digitalschallplatte. Der zur Erfassung der CD-Signale verwendete Laserstrahl dient auch dazu, eventuelle eigene Fokussier- und Spurregelungsfehler zu erkennen.

Im folgenden wird das bei der CD verwendete Verfahren zur Erkennung von Fokussier- und Spurregelungsfehlern beschrieben. Der Abtastblock ist in den Abb. 2 und 3 dargestellt. Die Fokussierung findet statt, indem der Abstand der Objektivlinse zur CD verkürzt oder verlängert wird; zur korrekten Abtastung werden sowohl Objektiv als auch der gesamte Abtast-Block radial verschoben.

## 6-3. TRACKING SYSTEM

(The heterodyne tracking method)

(Refer to Figs. 6-3 to 6-5)

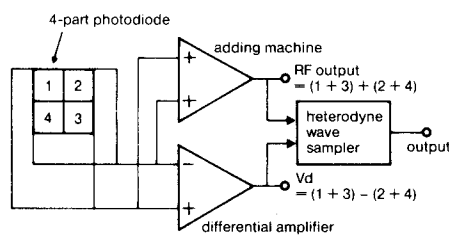


Fig. 6-3 Basic Structure of Tracking servo

## 6-3. SYSTÈME DE POURSUITE

(Une méthode de la poursuite

hétérodyne)

(Voir Figs. 6-3 à 6-5)

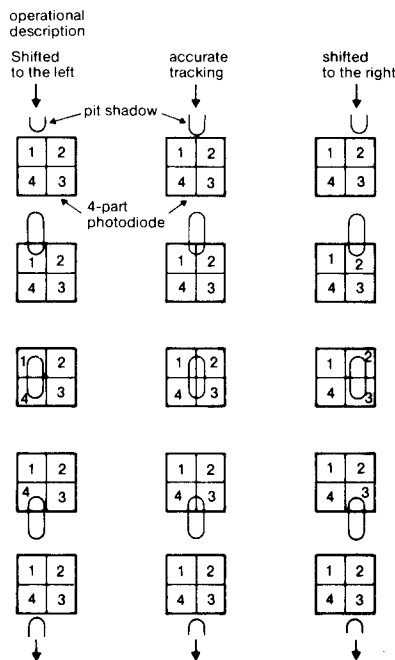


Fig. 6-4 Tracking Detection

## 6-3. SYSTEM DER ABTASTUNG

(Das Heterodyneabtastverfahren)

(Siehe Figs. von 6-3 zu 6-5)

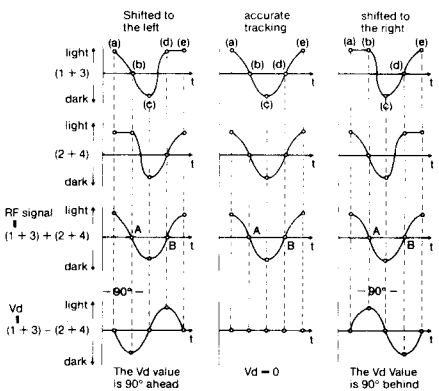


Fig. 6-5 Wave Patterns for Each Case

With this system, a beam image is reflected on to a target which is divided into four parts; the condition of the optical reference angle is monitored and values are compared to provide the "+/-" output to the tracking servo which keeps the beam centered over the pit track.

As seen in the diagram, when the beam is centered, the pit shadows fall on the center of the target, so that the image is equally balanced between 1 + 3 and 2 + 4, and the output is balanced (the Vd of the RF signal is  $[1 + 3] - [2 + 4] = 0$ ). When the pit shadow moves to the left or the right the Vd value goes 90° out of phase with the heterodyne wave sampler and a "+" or "-" value is sent to the tracking servo. This situation is sensed by the heterodyne wave sampler and a "+" or "-" value is sent to the tracking servo. The sensitivity of this system is so great that it alone can be used for discs with pits whose height is 1/4 of an optical wave length.

Avec ce système, une image du faisceau est reflétée sur une cible divisée en quatre parties: l'état de l'angle optique de référence est analysé et les valeurs sont comparées pour fournir la sortie +/- du servo de poursuite qui maintient le faisceau centré sur la piste.

Comme on le voit sur le diagramme, lorsque le faisceau est centré, l'ombre du sillon sont portées sur le centre de la cible, si bien que l'image est équilibrée de façon égale entre 1+3 et 2+4, et la sortie est équilibrée (La valeur du signal RF est  $[1+3] - [2+4] = 0$ ). Lorsque l'ombre du sillon se déplace à gauche ou à droite, la valeur se trouve déphasée de 90° par rapport au signal RF. Cette situation est enregistrée par l'analyseur d'onde hétérodyne, et une valeur + ou - est transmise au servo de poursuite. La sensibilité de ce système est telle qu'elle peut suffire pour des disques à sillon d'onde optique d'un quart de hauteur.

Mit diesem System wird ein Strahlenbild von einer in vier gleiche Viertel aufgeteilten Zielfläche reflektiert, der Zustand des optischen Bezugswinkels wird erfaßt und die Werte miteinander verglichen, um so das „+/-“-Ausgangssignale an den Abtastservo zu übertragen, der den Strahl auf der Pit-Spur zentriert hält.

Wie aus der Zeichnung ersichtlich fällt der Pit-Schatten in die Mitte der Zielfläche, so daß das Strahlenbild zwischen 1+3 und 2+4 ausgeglichen ist (Vd des HF-Signals beträgt  $(1+3) - (2+4) = 0$ ). Wenn der Pit-Schatten sich nach links oder rechts bewegt, wird der Vd-Wert gegenüber den HF-Signal um 90° phasenverschoben. Dies wird von der Heterodyne-Wellen-Abtasteinheit erkannt, die einen „+“ oder einen „-“ Wert an den Abtast-Servo (Spurnachführungs-Servo) überträgt. Nur dieses System hat eine dermaßen hohe Empfindlichkeit, das es für Discs mit Pits von 1/4-high optischer Wellenlänge verwendet werden kann.

#### 6-4. FOCUSING SYSTEM

(The critical angle detection method)

(Refer to Figs. 6-6 to 6-8)

#### 6-4. SYSTÈME DE MISE

AU POINT

(Méthode de détection de l'angle critique)  
(Voir Figs. 6-6 à 6-8)

#### 6-4. SYSTEM DER ABTASTUNG

(Die Grenzwinkelerkennungsmethode)

(Siehe Figs. von 6-6 zu 6-8)

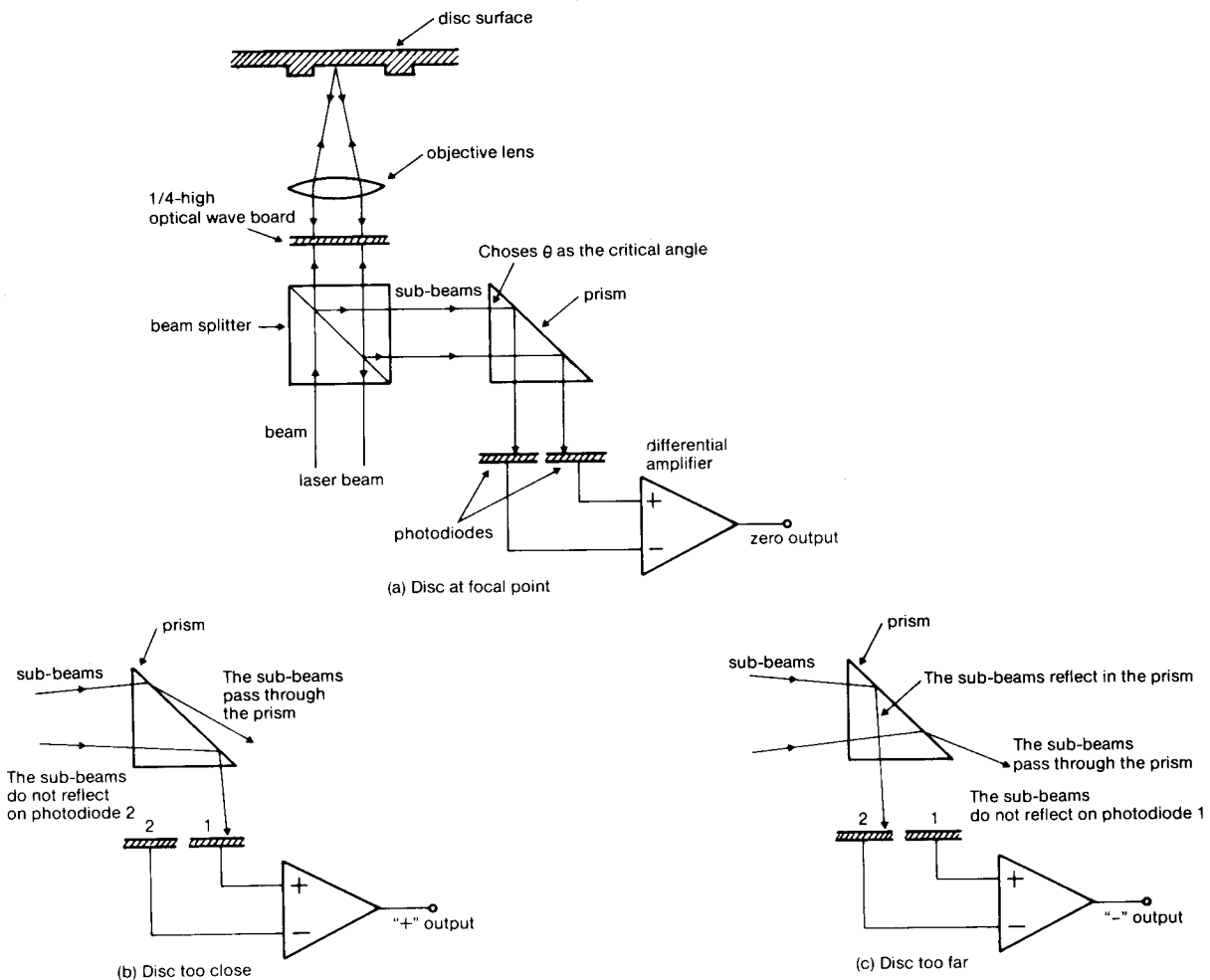


Fig. 6-6 The critical Angle Detection Method: Focusing

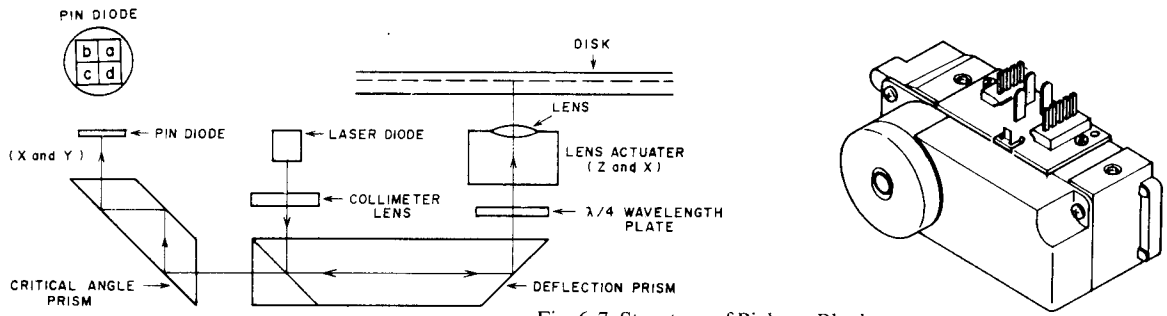


Fig. 6-7 Structure of Pick-up Block

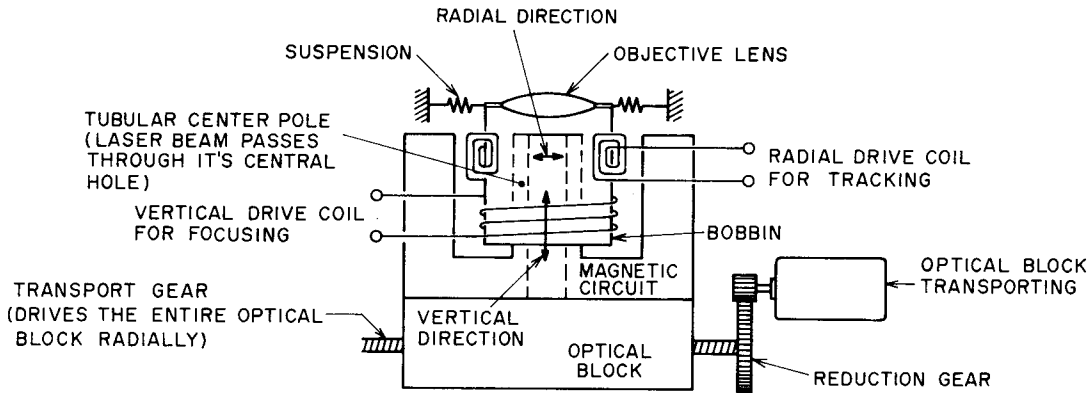


Fig. 6-8 Structure of Focusing Screw

Keeping the laser pickup focus accurate to within  $\pm 1$  micron when the disc surface varies by several hundred times that would seem a nearly impossible task. But the Akai critical angle detection methods makes it possible to do just that by constantly repositioning the height of the objective lens through which the beam is passing to maintain the proper lens-to-disc distance for perfect focus.

As the diagram shows, the system comprises a beam splitter, prism, two photodiodes, and a focusing servo. As the beam passes through the beam splitter after it has been reflected back from the disc, two sections from opposite sides of the beam are reflected away to the prism, which in turn reflects these beams separately onto the photodiodes. If the beam is in focus, the two subbeams will fall evenly onto the photodiodes, causing a "0" value to be output to the servo. When the distance between the disc surface and the objective lens changes, the subbeams which are split away to the prism will not be reflected evenly to the photodiodes, causing either a "+" or "-" value to be sent to the focusing servo, which instantly adjusts the height of the objective lens to return the value to "0" – proper focus.

Maintenir la mise au point de la tête de lecture laser avec une précision de  $\pm 1$  micron alors que la surface du disque varie de plusieurs centaines de fois ce chiffre pourrait paraître presque impossible. Mais la méthode AKAI de détection de l'angle critique permet d'arriver précisément à ce résultat en modifiant sans cesse la hauteur de la lentille de l'objectif que traverse le faisceau afin de maintenir la bonne distance entre lentille et disque, pour une mise au point parfaite.

Comme le montre le diagramme, le système comprend un séparateur de faisceau, un prisme, deux photodiodes et un servo de mise au point. Lorsque le faisceau renvoyé par le disque traverse le séparateur, deux portions de côtés opposés de faisceau sont réfléchies en direction du prisme, qui à son tour les renvoie séparément, aux photodiodes. Si le faisceau est au point, les deux sous-faisceaux tomberont de façon égale sur les photodiodes, et un signal "0" sera transmis au servo. Quand la distance entre la surface du disque et la lentille de l'objectif varie, les sous-faisceaux séparé et renvoyés au prisme ne seront pas également réfléchis sur les photodiodes, et une valeur "+" ou "-" sera transmise au servo de poursuite, qui réglera instantanément la hauteur de la lentille de l'objectif, pour revenir à "0" – mise au point correct.

Es scheint eine fast unmögliche Aufgabe zu sein, den Laserstrahl auf einen Wert innerhalb  $\pm 1$  Mikrometer genau zu fokussieren, da doch die Disc-Oberfläche Veränderungen aufweist, die ein Hundertfaches von diesem Wert betragen. Jedoch wird genau dies mit der Grenzwinkel-Erkennungsmethode von Akai ermöglicht, indem die Höhe der Objektivlinse, durch die der Laserstrahl auf die Disc fällt, konstant neu positioniert wird. Durch Einhaltung des korrekten Linsen/Disc-Abstands ist die Fokussierung jederzeit perfekt.

Wie aus der Zeichnung ersichtlich besteht das System aus dem Strahlenteiler, dem Prisma, zwei Fotodiodes und dem Fokussier-Servo (Regleinrichtung). Nachdem der Strahl von der Disc reflektiert worden ist, passiert er durch den Strahlenteiler: zwei Teilstrahlen vom zurückgeworfenen Strahl werden auf das Prisma reflektiert, das diese Strahlen wiederum getrennt auf die zwei Fotodiodes ablenkt. Wenn der Strahl im Fokus ist, fallen die zwei Teilstrahlen gleichmäßig auf die Fotodiodes, und an den Servo wird ein „0“-Wert ausgegeben. Wenn der Abstand zwischen Disc-Oberfläche und Objektivlinse sich verändert, so werden die auf das Prisma gelenkten Teilstrahlen nicht gleichmäßig auf die Fotodiodes reflektiert, so daß ein „+“ oder „-“-Wert an den Fokussier-Servo übertragen wird, der umgehend die Linsenhöhe so einstellt, daß der „Nullwert“ – korrekte Fokussierung – wiederhergestellt wird.

# VII. ADJUSTMENT RÉGLAGE EINSTELLUNG

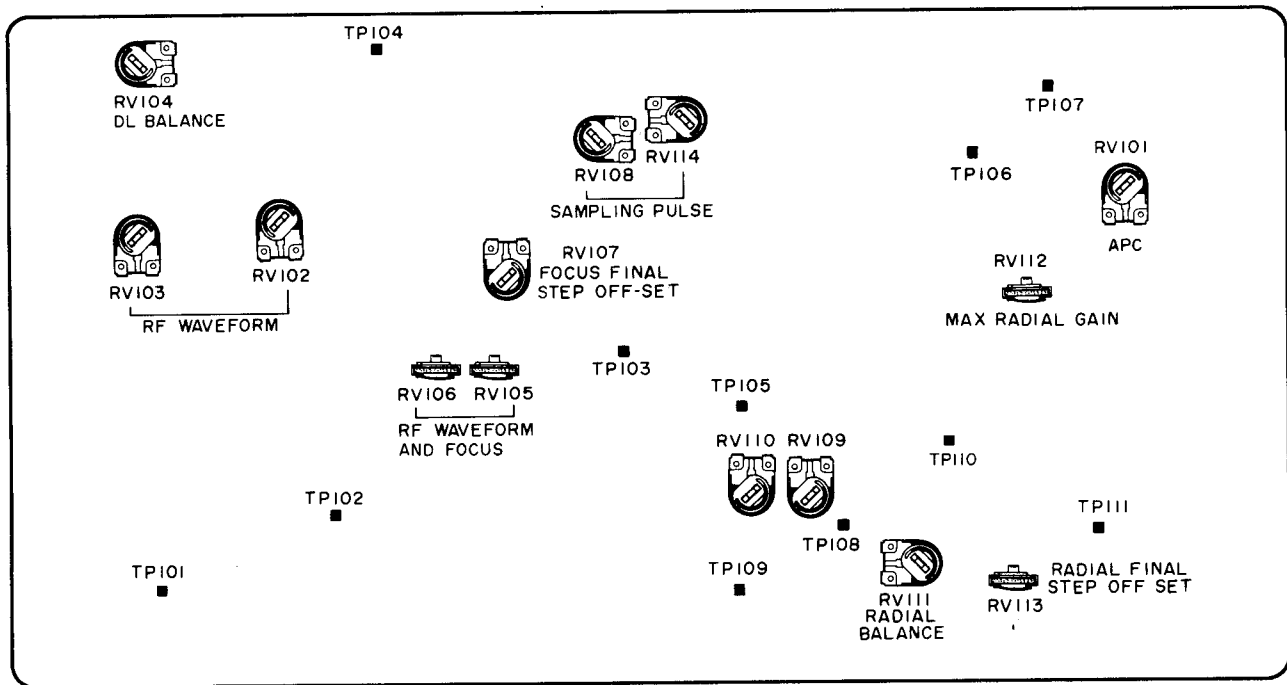


Fig. 7-1 Servo P.C Board Adjustment Points

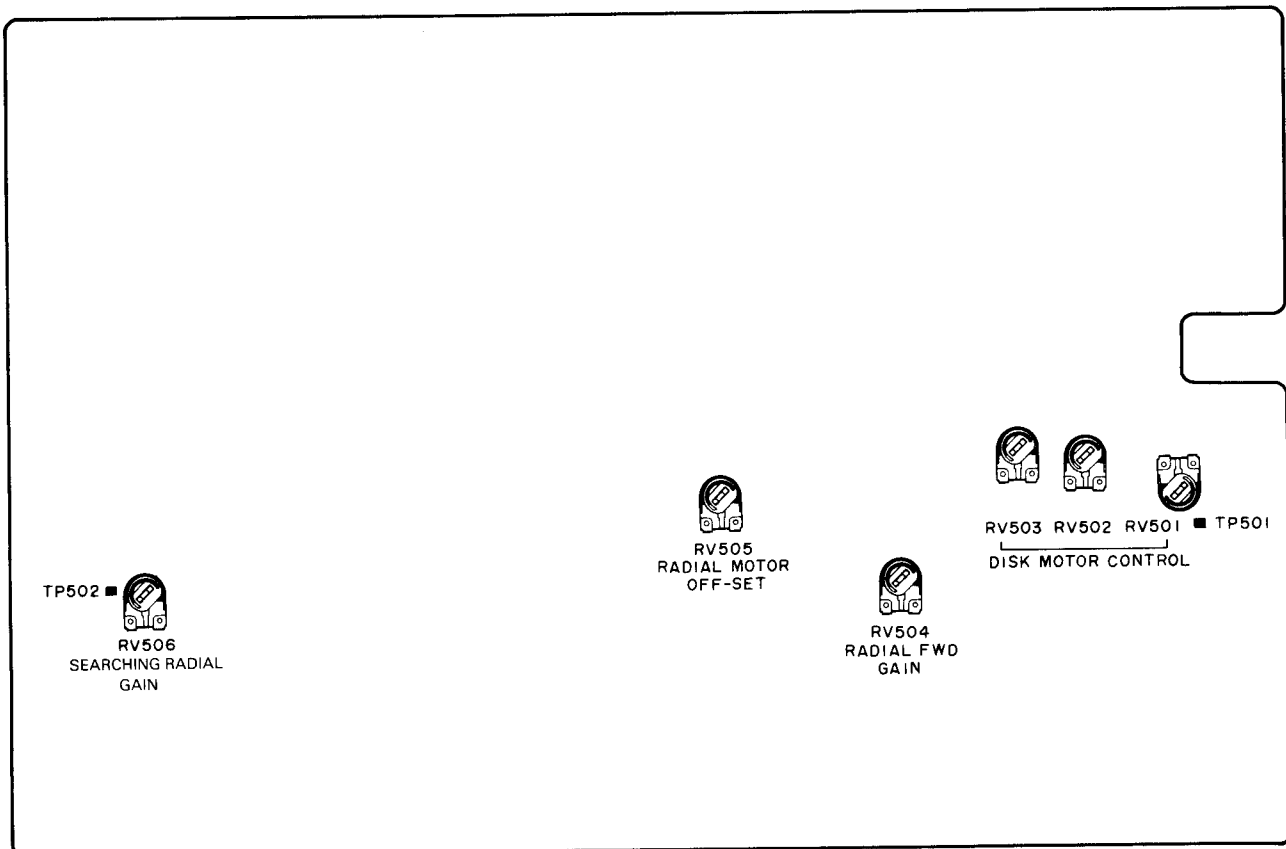


Fig. 7-2 Power/Digital P.C Board Adjustment Points

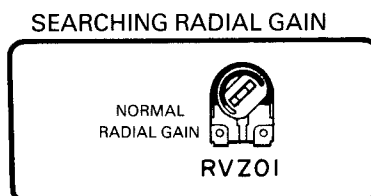


Fig. 7-3 Searching P.C Board Adjustment Point

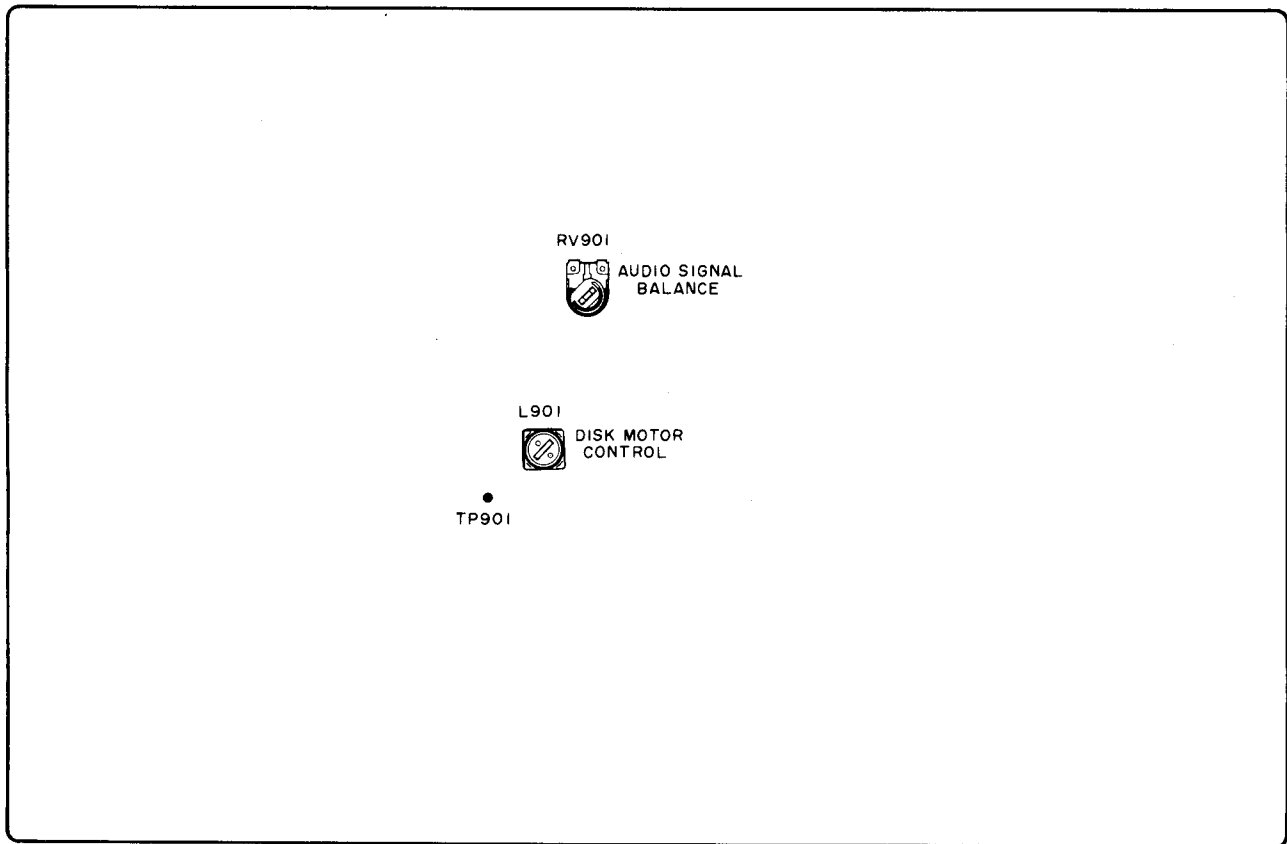


Fig. 7-4 Decoder/Syscon P.C Board Adjustment Point

**Notes:**

- 1) When carrying out adjustments due to faults etc., be sure to check chapters I (Precaution in Repairing) and (Complaints and remedies) before starting the adjustment or repairs.
- 2) When using an oscilloscope, provide adequate grounding to each individual probe. Failure to comply will cause induced noise making waveforms unclear and fuzzy.

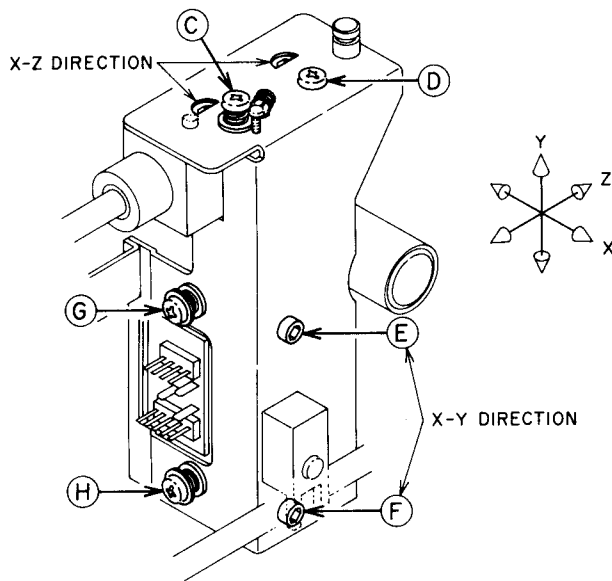


Fig. 7-5 Pick Up Block Adjustment Points

**Notes:**

1. Lorsqu'on procède à un réglage à la suite d'un problème quel qu'il soit, il importe, en premier lieu, de se reporter aux chapitres I (Précautions à prendre lors de réparations), et VI (Problèmes et solutions), avant d'entreprendre réglage ou réparation.
- 2) Lors de l'utilisation d'un oscilloscope, relier correctement chaque sonde à la masse. Dans le cas contraire, une source de bruits apparaît, ce qui rend les courbes ondulatoires floues et mal définies.

**Hinweis:**

- 1) Wenn die Einstellung aufgrund von Betriebsstörungen oder dergleichen vorgenommen wird, auf jeden Fall die Kapitel I (Vorsichtsmaßnahmen bei der Ausführung von Reparaturen) und VI (Störungen und Behebungen) beachten, bevor man die Einstellung bzw. Reparatur beginnt.
- 2) Bei Arbeiten mit dem Oszilloskop alle Tastspitzen einzeln erden. Andernfalls wird Rauschen erzeugt, so daß Wellenformen unklar und verwischt erscheinen.



**7-1. CHECKS PRIOR TO  
ADJUSTMENT**

**7-1. VÉRIFICATIONS AVANT  
RÉGLAGE**

**7-1. KONTROLLEN VOR DER  
EINSTELLUNG**

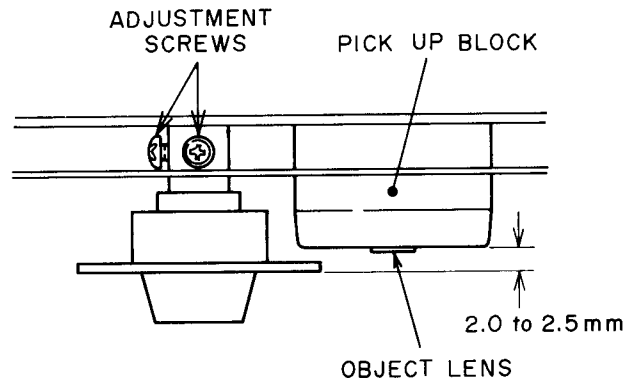


Fig. 7-6 Table Height Adjustemnt Point

When remounting or replacing a disc motor or a pickup block make sure that when a disc is placed in position, the clearance between the disc surface and the top of the Pickup Block has been adjusted between 2.0 to 2.5 mm, no more or no less, as shown in Fig. 7-6.

Lorsqu'on monte un moteur ou un bloc de lecture de rechange, ou l'équivalent, il faut s'assurer que lors du chargement d'un disque l'espace libre séparant la surface du disque et la partie supérieure du bloc de lecture est réglé de 2.0 mm à 2,5 mm, ni plus ni moins, comme le montre la Fig. 7-6.

Nach dem Einbau eines Disc-Motors oder eines Abtast-Blocks zwecks Austausch oder dergleichen sicherstellen, daß nach Auflegen der Disc der Abstand zwischen der Disc-Oberfläche und der Oberseite des Abtast-Blocks 2.0 bis 2,5 mm beträgt, nicht weniger und nicht mehr. Siehe hierzu Fig. 7-6.

**7-2. APC (AUTO-POWER  
CIRCUIT) ADJUSTMENT**

**7-2. RÉGLAGE DU CIRCUIT APC  
(CIRCUIT D'ALIMENTATION  
AUTOMATIQUE)**

**7-2. APC-EINSTELLUNG  
(AUTO-POWER CIRCUIT)**

**7-2-1.** With the ejector block in the open position, push the PLAY/START button and then momentarily push the F. FWD button. This operation will suspend the RF search, and prevent suspension of the Laser light emission that would otherwise be initiated by the lack of RF signals.

**7-2-1.** Après avoir mis le bloc ejecteur en position ouverte, enfoncez la touche PLAY/START puis enfoncez momentanément la touche F. FWD. Cette opération suspend le processus de recherche de RF, et évite de suspendre l'émission du faisceau Laser, qui résulte normalement de l'absence de signal RF.

**7-2-1.** Mit dem Auswerfer-Block im geöffneten Zustand die PLAY/START-Taste und daraufhin die Schnellvorlauf-Taste (F. FWD) drücken. Dadurch wird der HF-Suchlauf unterbrochen und die Unterbrechung der Laserlicht-Emission verhindert, die ansonsten durch das Fehlen von HF-Signalen entstehen würde.

**7-2-2.** Bring the sensor area of a power meter close to the pickup objective lens surface. (And set the sensor at a position and an angle to provide maximum reading of the power meter.)

**7-2-2.** Approchez ensuite la sonde d'un wattmètre de la surface de la lentille de l'objectif. (Et placez la sonde de façon à obtenir l'angle permettant la lecture maximale du wattmètre.)

**7-2-2.** Den Sensorbereich eines Leistungsmesser dicht an die Oberfläche der Abtast-Objektivlinse bringen. (Dabei den Sensor so stellen, daß die Anzeige des Leistungsmessers Maximum erreicht.)

**7-2-3.** Slowly turn RV101 (Laser power output) until the power meter reading reaches 0.3 mW, and leave it there. In this process, be careful not to let the Laser output exceed the 0.3 mW level even for an instant.

**7-2-3.** Tournez lentement RV101 (Puissance de sortie Laser) jusqu'à ce que le wattmètre atteigne 0,3 mW, et maintenez ce réglage. Pendant cette opération, prenez soin de ne pas laisser la puissance de sortie Laser dépasser le niveau de 0,3 mW, même pendant un temps très bref.

**7-2-3.** RV101 (Laser-Ausgangsleistung) langsam drehen, bis der Leistungsmesser 0,3 mW anzeigt und in diesem Zustand lassen. Bei diesem Verfahren darauf achten, daß der Laserausgang nicht auch nur kurzzeitig 0,3 mW überschreitet. Überschreitet, da sonst die Laser-Diode zerstört wird.

### 7-3. OFF-SET ADJUSTMENT

#### 7-3-1. Radial Motor Circuit OFF-SET

With no disc loaded, push the PLAY/START button, next momentarily push the F. FWD button, thereby suspending the RF search; then connect a digital voltmeter between TP502 and GND.

Adjust RV505 to provide the digital voltmeter reading of DC  $0V \pm 25$  mV. (May also be measured with an oscilloscope.)

#### 7-3-2. Disc Motor Bias

After the 3-1 adjustment, insert a disc and push the PLAY/START button. Connect a digital DC voltmeter between U502 pin ④ (Disc Motor Output) and GND, and adjust RV503 to provide the digital DC voltmeter reading of  $1.2V \pm 0.1V$ . Make sure in this process that the disc motor revolves.

#### 7-3-3. Focus Final Step Offset

Connect a digital DC voltmeter between TP103 (Focus Output) and GND, and push the STOP button from the PLAY mode, thereby suspending the focus search. Adjust RV107 so as to make TP103 (Focus Output) reach DC  $0V \pm 50$  mV 20 seconds later.

#### 7-3-4. Radial Final Step OFF-SET

Connect a digital DC voltmeter between TP111 (Radial Output) and GND in the STOP mode, and adjust RV113 to provide a DC  $0V \pm 25$  mV reading.

### 7-3. RÉGLAGE DE BALANCE

#### 7-3-1. Circuit de balance du moteur radial

Sans avoir inséré un disque, mais après avoir enclenché la touche START/PLAY et momentanément enfoncé la touche F. FWD, et donc suspendu le processus de recherche RF, branchez un voltmètre digital entre TP502 et GND.

Réglez RV505 de façon à obtenir une lecture de DC  $0$  mV  $\pm 25$  mV. (Peut également être mesuré avec un oscilloscope.)

#### 7-3-2. Moteur d'entraînement du disque

Après le réglage 3-1, insérez un disque et enclenchez la touche PLAY/START. Branchez un voltmètre digital à courant continu entre PIN ④ (sortie du moteur du disque) et GND, et réglez RV503 pour une lecture au voltmètre digital à courant continu de  $1,2V \pm 0,1V$ . Assurez-vous que le moteur tourne durant l'opération.

#### 7-3-3. Réglage de balance de l'étage

##### final de mise au point

Branchez un voltmètre digital à courant continu entre TP103 (sortie de mise au point) et GND, enclenchez la touche STOP pendant que l'unité est en mode lecture, ce qui suspend la recherche de mise au point. Réglez RV107 pour obtenir DC  $0V \pm 50$  mV en TP103 (sortie de mise au point) au bout de 20 secondes.

#### 7-3-4. Réglage de la balance de l'étage

##### final d'entraînement radial

Branchez un voltmètre digital à courant continu entre TP111 (sortie radiale) et GND, en mode STOP, et réglez RV113 pour une lecture de DC  $0V \pm 25$  mV.

### 7-3. OFFSET-EINSTELLUNG

#### 7-3-1. Offset der Radialmotor-Schaltung

Ohne eingelegte Disc schließt man ein Digitalvoltmeter über TP502 und Masse an, nachdem man die PLAY/START-Taste und, um den HF-Suchlauf zu sperren, die Schnellvorlauf-Taste (F. FWD) kurz drückt. RV505 so einstellen, daß das Digitalvoltmeter DC  $0V \pm 25$  mV. (Kann auch mit einem Oszilloskop gemessen werden.)

#### 7-3-2. Vorspannung des Disc-Motors

Nach der Einstellung 3-1 eine Disc einlegen und die PLAY/START-Taste drücken. Ein Digital-Gleichspannungs-Voltmeter über U502 PIN ④ (Disc-Motor-Ausgang) und Masse anschließen und RV503 so einstellen, daß das Digital-Gleichspannungs-Voltmeter  $1,2V \pm 0,1V$  anzeigt. Bei diesem Verfahren sicherstellen, daß der Disc-Motor dreht.

#### 7-3-3. Fokus-offset-Endeinstellung

Ein Digital-Gleichspannungs-Voltmeter über TP103 (Fokus-Ausgang) und Erdung anschließen und die STOP-Taste betätigen und anschließend Wiedergabe drücken, auf diese Weise wird der Fokus-Suchlauf gestoppt. RV107 so einstellen, daß an TP103 (Fokus-Ausgang) nach 20 Sekunden DC  $0V \pm 50$  mV anliegen.

#### 7-3-4. Radial-Endschritt-Offset

Das Digital-Gleichspannungs-Voltmeter in der STOP-Betriebsart über TP111 (Radial-Ausgang) und Masse anschließen und RV113 so einstellen, daß DC  $0V \pm 25$  mV angezeigt werden.

***RTV servis Horvat***

**Kešinci, 31402 Semeljci**

**Tel : 031-856-637**

**Tel / fax : 031-856-139**

**Mob : 098-788-319**

**[rtv-servis-horvat@os.tel.hr](mailto:rtv-servis-horvat@os.tel.hr)**

### 7-3-5. Sampling Pulse Output

#### Verification

While playing a disc, observe TP106 and TP107 and verify that there is an output of pulses from both. If the pulses fail to appear, adjust RV108 (TP107) and RV114 (TP106) until they do.

### 7-3-6. Focusing Circuit

Observe TP101 and TP102 with a dual beam oscilloscope, and verify that their points of operation at DC  $0 \pm 0.1V$  and that their waveforms are symmetrical. If they are not, adjust RV105, RV106, and RV107 to provide signals that are vertically symmetrical and centered around DC  $0 \pm 0.1V$  (i.e. with zero volt DC components). Also verify that the focusing search waveform is vertically symmetrical and centered around 0V. (The focusing search waveform represents the TP103 voltage variation under a 7-3-1 state over a  $\pm 0.4V$  range and in one-second cycles.) If it is found not to be vertically symmetrical around 0V, repeat adjustment 7-3-3.

### 7-3-7. Pickup Head Focus Output,

#### Zero Setting (Refer to Fig. 7-5)

While playing a disc, connect a digital DC voltmeter between TP103 (Focus Output) and GND, and adjust screw ⑥ located higher up on the pickup head rear side, to provide a  $0V \pm 2.5 mV$  reading of the DC voltmeter. (Before this adjustment loosen the screws ③ and ④ about 1/4 to 1/2 turn.)

## 7-4. BALANCE ADJUSTMENT

### 7-4-1. Sampling Pulse Timing

### 7-3-5. Vérification de la sortie

#### d'impulsions d'étalonnage

Pendant le passage d'un disque, observez TP106 et TP107 avec un oscilloscope à double trace, et vérifiez la sortie d'impulsions.

Au cas où les impulsions n'apparaîtraient pas, réglez RV108 (TP107) et RV119 (TP106) pour qu'elles apparaissent.

### 7-3-6. Circuit de mise au point

Examiner TP101 et TP102 avec un oscilloscope à double trace, et vérifier que leurs points d'opération sont à DC  $0 \pm 0,1V$ , et que leurs courbes ondulatoires sont symétriques. Dans le cas contraire, régler RV105, RV106 et RV107 pour obtenir des signaux verticalement symétriques, et centrés aux environs de DC  $0 \pm 0,1V$  (c'est à dire avec des composants de 0V courant continu). Vérifier aussi que la courbe ondulatoire de recherche de mise au point est verticalement symétrique, et centrée aux environs de 0V. (Cette dernière représente la variation de voltage de TP103 dans les conditions de 7-3-1, dans une fourchette de  $\pm 0,4V$  avec des cycles d'une seconde.) Si elle n'est pas verticalement symétrique aux environs de 0V, répéter le réglage 7-3-3.

### 7-3-7. Réglage du zéro de la mise au point

#### de la tête de lecture (Voir Fig. 7-5)

Lors du passage d'un disque, branchez un voltmètre digital à courant continu entre TP103 (sortie de mise au point) et GND, et réglez la vis ⑥, qui se trouve plus haut, en arrière de la tête de lecture, pour obtenir une lecture de  $0V \pm 2,5 mV$ . (Pour effectuer ce réglage, desserrez les vis ③ et ④ d'un quart à un demi tour.)

## 7-4. RÉGLAGE DE LA BALANCE

### 7-4-1. Réglage synchrone des impulsions d'étalonnage

### 7-3-5. Bestätigung des

#### Abtastimpuls-Sample-Ausgangs

Eine CD abspielen, dabei TP106 und TP107 beobachten und sicherstellen, daß Impulse ausgegeben werden. Falls kein Ausgang von Impulsen zu verzeichnen ist, unternimmt man die Einstellung von RV108 (TP107) und RV119 (TP106), so daß der Impulsausgang hergestellt wird.

### 7-3-6. Fokus-Schaltkreis

TP101 und TP102 mit einem Zweistrahl-Oszilloskop beobachten und sicherstellen, daß ihre Arbeitspunkte bei DC  $0 \pm 0,1V$  liegen und ihre Wellenformen symmetrisch sind. Andernfalls wird RV105, RV106 und RV107 so eingestellt, daß Signale gegeben werden, die vertikal symmetrisch und bei DC  $0 \pm 0,1V$  (d.h. mit 0V Gleichstromanteilen) zentriert sind. Desgleichen sicherstellen, daß die Fokussier-Such-Wellenform vertikal symmetrisch bei 0V zentriert ist. (Fokussier-Such-Wellenform bedeutet die Spannungsschwankung an TP103 unter einem 7-3-1 Zustand über einen  $\pm 0,4V$ -Bereich und in 1-Sekunden-Zyklen) Falls diese nicht als vertikal symmetrisch bei 0V festgestellt wird, wird 7-3-3 neu eingestellt.

### 7-3-7. Nullstellung des Abtastkopf-

#### Fokus-Ausgangs (Siche Fig. 7-5)

Eine Disc abspielen und ein Digital-Gleichspannungs-Voltmeter über TP103 (Focus-Ausgang) und Masse anschließen. Die Einstellschraube ⑥, die sich im oberen Teil der Rückseite des Abtastkopfes befindet, so einstellen, daß  $0V \pm 2,5 mV$  angezeigt wird. (Kann mit einem Oszilloskop gemessen und so eingestellt werden, daß ein  $0 \pm 25mV$ -Gleichstromanteil gegeben ist.) (Bei dieser Einstellung die Schraube ③ und ④ um 1/4 bis 1/2 Umdrehung lösen.)

## 7-4. BALANCE-EINSTELLUNG

### 7-4-1. Abtastimpuls-Zeitsteuerung

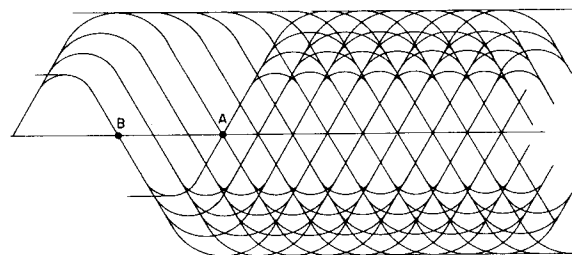


Fig. 7-7 Sampling

While playing a disc, observe TP104 and TP106 with a dual beam oscilloscope. Adjust RV114 so that the timings of the crossing points of the trailing edge of TP104 (RF Waveform) (Fig. 7-7B) and the TP106 output pulses coincide with each other. For TP107 also, similarly adjust RV108 to provide a coincident timing of the rising edge crossing points (Fig. 7-7A). Further, observe TP106 and TP107 with a dual beam oscilloscope, and verify that the positions of both of the pulses coincide with each other (i.e. in mutual synchronization).

Lors du passage d'un disque, observez TP104 et TP106 avec un oscilloscope à double trace. Réglez RV114 de façon à ce que les points d'intersection ascendante de TP104 (courbe RF) (Fig. 7-7B) et les impulsions de sortie de TP106 soient synchronisés. Aussi pour TP107, réglez également RV108 pour synchroniser les points d'intersection descendante (Fig. 7-7A). Ensuite, examiner TP106 et TP107 avec un oscilloscope à double faisceau, et vérifier que les positions des deux impulsions coïncident (c'est à dire sont synchronisées).

Eine Disc abspielen, dabei TP104 und TP106 mit einem Zweistrahl-Oszilloskop beobachten. RV114 so einstellen, daß die Anstieg-Schnittpunkte an TP104 (HF-Wellenform) (Fig. 7-7B) und die Ausgangsimpulse an TP106 zusammenfallen. Ebenfalls für TP107 RV108 entsprechend einstellen, so daß die Abfall-Schnittpunkte zeitlich zusammenfallen. (Fig. 7-7A) Weiterhin TP106 und TP107 mit einem Zweistrahl-Oszilloskop überprüfen. Dabei feststellen, ob die Lage der beiden Impulse sich deckt (d.h. ob sie miteinander synchron laufen).

#### 7-4-2. RF Waveform Phase Adjustment

#### 7-4-2. Réglage de phase de la courbe

ondulatoire RF

#### 7-4-2. Einstellung der

HF-Wellenform-phase

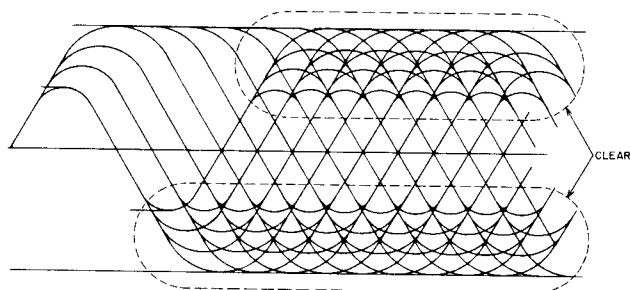


Fig. 7-8 Eye Pattern Waveform

While playing a disc, adjust screw ⑥ (refer to Fig. 7-5) located lower down on the pickup head rear side, to provide a horizontal parallelism of upper and lower crossing points in the RF waveform at TP104 (RF output).

(After completing the adjustment, apply paint to lock screw ⑤, ⑥, ⑦, and ⑧.)

Lors du passage d'un disque, réglez la vis ⑥ (voir Fig. 7-5), qui se trouve plus bas, en arrière de la tête de lecture, pour obtenir un parallélisme horizontal net entre les points d'intersection supérieurs et inférieurs dans la courbe RF en TP104 (sortie RF). (Après ce réglage, repeignez (vernis de blocage) les vis ⑤, ⑥, ⑦ et ⑧.)

Eine Disc abspielen, die Schraube ⑥ (Siehe Fig. 7-5), die sich am unteren Teil der Rückseite des Abtastkopfes befindet so einstellen, daß die oberen und unteren Schnittpunkte in der HF-Wellenform an TP104 (HF-Ausgang) klar waagerecht parallel werden.

(Nach dieser Einstellung die Schrauben ⑤, ⑥, ⑦ und ⑧ mit Siegelack sichern.)

#### 7-4-3. RF Balance and DL Balance of the Pickup Head (Refer to Fig. 7-5)

Position the pickup head on the disc lead-in part of the recording (at track No. "0") and observe with a dual beam oscilloscope TP104 (RF Signal Out) and TP105 (DL Signal Out). Then, adjust the ① area of the pickup head (refer to 7-5) for the TP104 RF signal to provide the cleanest eye pattern, and for the TP105 DL signal to provide the smallest amplitude.

Next, adjust RV104 to minimize the TP105 DL signal amplitude. (When adjusting the ① area, loosen screws ③ and ④ by a 1/4 to 1/2 turn beforehand.) Repeat this adjustment a few times, and at an optimum point thus secured, tighten and paint-lock screws ③ and ④.

#### 7-4-3. Balance RF et DL de la Tête de Lecture (Voir Fig. 7-5)

Placez la tête de lecture sur la piste départ du disque (piste No. "0"), et examiner TP104 (Sortie du signal RF) et TP105 (Sortie du signal DL) avec un oscilloscope à double trace. Puis régler la partie ① de la tête de lecture (voir Fig. 7-5) de façon à ce que le signal RF de TP104 présente le motif d'œil le plus précis, et à ce que le signal DL de TP105 ait l'amplitude la plus faible.

Ensuite, régler RV104 de façon à réduire l'amplitude du signal DL de TP105. (Lors du réglage de la partie ①, desserrer les vis ③ et ④ d'un quart à un demi tour à l'avance.) Répéter ce réglage plusieurs fois, et, une fois le meilleur réglage obtenu, resserrer et bloquer à la peinture les vis ③ et ④.

#### 7-4-3. HF-Balance und DL-Balance des Abtastkopfes (Siehe Fig. 7-5.)

Den Abtastkopf auf der Einlaufseite der Disk (bei Spur Nr. "0") positionieren und TP104 (HF-Signalausgang) und TP105 (DL-Signalausgang) auf einem Zweistrahl-Oszilloskop beobachten. Dann den ①-Bereich des Abtastkopfes (Siehe 7-5.) für das TP104 HF-Signal so einstellen, daß ein möglichst sauberes Augenmuster erzielt wird und das DL-Signal an TP105 die kleinste Amplitude hat.

Als nächstes RV104 so einstellen, daß die Amplitude des DL-Signals an TP105 minimiert wird. (Bei Einstellung des ①-Bereiches die Schrauben ③ zuvor um 1/4 bis 1/2 Umdrehung lösen. Diese Einstellung mehrmals wiederholen und, wenn der optimale Punkt festgestellt ist, die Schrauben ③ und ④ festziehen und mit Siegelack sichern.)

#### 7-4-4. Radial Balance

Playing a disc, observe TP108 and TP109 with a dual beam oscilloscope, and adjust RV111 to set the TP108 and TP109 DC components at  $0 \pm 0.25$  mV, or else at least at an equal magnitude.

#### 7-4-5. RF Waveform Adjustment

Playing a disc, observe TP104 (RF Signal Output), and adjust RV105 and RV106 to provide a fine and clear RF waveform.

#### 7-4-4. Balance Radiale

Lors du passage d'un disque, examiner TP108 et TP109 avec un oscilloscope à double trace, et régler RV111 pour amener le composant courant continu de TP108 et TP109 à  $0 \pm 0,25$  mV, ou du moins à un même niveau.

#### 7-4-5. Réglage de la courbe ondulatoire RF

Lors du passage d'un disque, observez TP104 (sortie de signal RF), et réglez RV105 et RV106 pour obtenir une courbe RF claire et précise.

#### 7-4-4. Radial-Balance

Eine Disk abspielen, TP108 und TP109 mit einem Zweistrahl-Oszilloskop beobachten und RV111 so einstellen, daß die Gleichstromanteile an TP108 und TP109  $0 \pm 0,25$  mV betragen oder zumindest ihre Stärke gleich ist.

#### 7-4-5. Einstellung der HF-Wellenform

Eine Disc abspielen, TP104 (HF-Signalausgang) beobachten und RV105 und RV106 so einstellen, daß eine feine und klare HF-Wellenform erhalten wird.

### 7-5. RADIAL LEVEL ADJUSTMENT

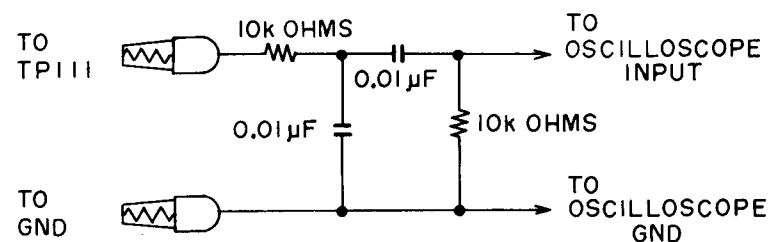


Fig. 7-9 Filter

### 7-5. RADIALPEGEL-EINSTELLUNG

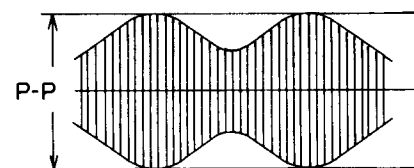


Fig. 7-10

Using alligator clips, connect a low pass filter to TP111 as shown in Fig. 7-9, and view the P-P value of the signal superimposed on the low frequency that has passed through the low pass filter.

A l'aide de pinces "crocodile", branchez un filtre passe bas sur TP111, comme indiqué Fig. 7-9, et examinez la valeur C-C du signal superposé à la basse fréquence qui passe par le filtre passe bas.

Unter Verwendung von Krokodilklemmen schließt man ein Tiefpaßfilter, wie in Fig. 7-9 gezeigt an TP111 an und beobachtet den V<sub>ss</sub> Wert des überlagerten Signals auf der tiefen Frequenz, die das Tiefpaßfilter passiert hat.

#### 7-5-1. Determination of Maximum

##### Radial Gain

In a playback mode, adjust RV112 to provide a signal output of  $0.45 \pm 0.05$  Vp-p. (In this process, keep RV506 turned to the extreme left.)

#### 7-5-1. Détermination de l'accroissement

##### maximum du gain radial

En mode de reproduction, régler RV112 pour un signal de sortie de  $0,45 \pm 0,05$  Vp-p. (Pour ce faire, maintenir RV506 tourné à fond vers la gauche.)

#### 7-5-1. Bestimmung der max.

##### Radialverstärkung

In der Wiedergabe-Betriebsart RV112 so einstellen, daß ein Signalausgang von  $0,45 \pm 0,05$  V<sub>ss</sub> gegeben ist. (In diesem Verfahren RV506 ganz nach links gedreht lassen.)

#### 7-5-2. Determination of Normal

##### Radial Gain

Play a disc, and adjust RV506 to provide a 0.2 to 0.25 Vp-p signal output.

#### 7-5-2. Détermination de l'accroissement

##### normal du gain radial

Lors du passage d'un disque, réglez RV506 pour obtenir un signal de sortie C-C de 0,2 à 0,25V.

#### 7-5-2. Bestimmung der Normal-

##### Radialverstärkung

Eine Disc abspielen und RV506 so einstellen, daß ein Signalausgang zwischen 0,2 und 0,25 V<sub>ss</sub> wird.

#### 7-5-3. Searching Radial Gain

Short Both ends of C570 (QZ01 is turned on and the searching level will be fixed)

Then adjust RVZ01 so that the level of signal output is 0.2 Vp-p while searching.

#### 7-5-3. Recherche du gain radial

Réglez RVZ01 pour obtenir un signal de sortie C-C de 0,2V lors de l'annulation du mode de recherche d'index (Dans ce procédé, court-circuitez C570. Ainsi QZ01 est saturé, et RVZ01 détermine le niveau de recherche.)

#### 7-5-3. Prüfung der Radialverstärkung

Radialverstärkungs-Bestimmung unter Verwendung der Krokodilklemme RV507 so einstellen, daß nach Aufheben einer Index-Betriebsart ein einziger Ausgang mit 0,2 V<sub>ss</sub> gegeben ist. (Bei diesem Verfahren wird C570 kurzgeschlossen. Dadurch wird Q512 leitend und RVZ01 bestimmt den Prüfpegel.)

### 7-6. RADIAL GAIN DETERMINATION

Turn RV504 clockwise, and verify that the radial motor starts hunting broadly. A broad hunting in this process proves that the radial system adjustment up to this point has been made correctly. When RV504 is turned to the extreme right, the radial motor will fast forward at high speed.

Set the potentiometer at a level where no broad hunting takes place and the motor slowly revolves while cogging but without reversing.

### 7-7. DISC MOTOR CONTROL ADJUSTMENT

Turn RV502 fully clockwise, and adjust RV503 to enable the time display to count and sounds to be emitted. (At this point in time,  $1.4\mu\text{s}$  will be the guideline for the cycle of the shortest wavelength RF signal.) Then, turn RV502 fully counterclockwise, and apply a motor lock. At this point, adjust the oscilloscope to exhibit the RF waveform rise crossing point (refer to Fig. 7-8A) at the center of its Y axis.

Now, again turn RV502 fully clockwise, and for a second time, fine adjust RV503 to eliminate the horizontal swaying of the RF waveform crossing point. Next turn RV502 fully counterclockwise. Then, adjust L901 to provide DC 5V at TP901, and adjust RV501 to make the TP501 waveform on the oscilloscope exhibit a 50% duty rate. After this, again verify that the TP901 voltage is 5V.

### 7-8. AUTO SIGNAL BALANCE

Play back the 1 kHz L-R signal of a test disc, and adjust RV901 to provide no more than a 0.1V output difference at the audio output of the two channels.

### 7-6. DÉTERMINATION DU GAIN RADIAL

Tourner RV504 dans le sens des aiguilles d'une montre, et vérifier que le moteur radial se met à effectuer une recherche de signaux large ("Broad Hunting"). Ce procédé permet de vérifier que les réglages préalables du système radial ont été effectués correctement. Quand on tourne RV504 à fond vers la droite, le moteur se met en avance rapide, à grande vitesse.

Régler le potentiomètre à un niveau tel que la recherche de signaux large ne soit pas effectuée, et que le moteur tourne lentement, irrégulièrement ("Cogging"), mais sans changer de sens.

### 7-7. RÉGLAGE DU CONTRÔLE DU MOTEUR DU DISQUE

Tournez RV502 à fond dans le sens des aiguilles d'une montre, et réglez RV503 pour que l'affichage du temps fonctionne et que des sons soient produits. Puis tournez RV502 à fond dans le sens contraire des aiguilles d'une montre, et bloquez le moteur. Réglez alors l'oscilloscope pour afficher le point d'intersection ascendante de la courbe RF (voir la Fig. 7-8A) au centre de son axe Y.

Tournez alors une nouvelle fois RV502 à fond dans le sens des aiguilles d'une montre, et re-réglez RV503 avec précision pour supprimer le flottement horizontal du point d'intersection la courbe RF, puis tournez RV502 à fond dans le sens contraire des aiguilles d'une montre. Réglez ensuite L901 pour avoir 5V en TP901, et réglez RV501 pour que la courbe TP501 sur l'oscilloscope affiche un rapport cyclique de 50%. Enfin, vérifiez encore que la tension voltage de TP901 soit de 5V.

### 7-8. SIGNAL AUTOMATIQUE DE BALANCE

Passez le signal G.D 1 kHz d'un disque test, et réglez RV901 pour ne pas dépasser une différence de 0,1V entre les deux sorties audio des deux canaux.

### 7-6. BESTIMMUNG DER RADIALVERSTÄRKUNG

RV504 im Uhrzeigersinn drehen und sicherstellen, daß der Radialmotor starke Regelschwankungen aufweist. Starke Regelschwankungen in diesem Zustand sind der Beweis, daß die Einstellung des Radialsystems bis zu dieser Stelle korrekt ausgeführt wurden. Wenn RV504 bis zum Anschlag nach rechts gedreht wird, erfolgt schneller Vorlauf des Radialmotors mit hoher Drehzahl.

Das Potentiometer auf einen Pegel einstellen, an dem keine starken Regelschwankungen auftreten und der Motor langsam dreht, der Kopf abhebt, aber nicht zurückgeführt wird.

### 7-7. EINSTELLUNG DER DISC-MOTORREGELUNG

RV502 bis zum Anschlag im Uhrzeigersinn drehen und RV503 so einstellen, daß der Zählbetrieb der Zeitanzeige funktioniert und Töne abgegeben werden. Daraufhin RV502 bis zum Anschlag gegen den Uhrzeigersinn drehen und den Motor sperren. Zu diesem Zeitpunkt das Oszilloskop so einstellen, daß der Schnittpunkt an der Anstiegsflanke der HF-Wellenform (Siehe Fig. 7-8A) im Mittelpunkt seiner Y-Achse liegt.

Jetzt nochmals RV502 bis zum Anschlag im Uhrzeigersinn drehen und die Feineinstellung von RV503 nochmals vornehmen, so daß waagerechte Schwankungen im HF-Wellenform-Schnittpunkt eliminiert werden und RV502 bis zum Anschlag gegen den Uhrzeigersinn drehen. Daraufhin L901 so einstellen, daß an TP901 5V anliegen und RV501 so einstellen, daß die Wellenform von TP501 auf dem Oszilloskop 50% Tastverhältnis aufweist. Danach nochmals sicherstellen, daß die Spannung an TP901 5V beträgt.

### 7-8. AUTO-SIGNAL-BALANCE

Das 1 kHz L-R Signal einer Test-Disc abspielen und RV901 so einstellen, daß die Differenz im Audioausgang der zwei Kanäle nicht mehr als 0,1V beträgt.

# VIII. AN OUTLINE OF FREQUENT COMPLAINTS AND THEIR REMEDIES

## LES PROBLÈMES ET LEUR REMÈDES

### ÜBERBLICK AUF DIE HÄUFIGSTEN REKLAMATIONEN UND IHRE BEHEBUNG

Listed below are a number of symptoms that are often erroneously assumed to be defects. Before investigating their causes, go through the check lists presented to eliminate invalid complaints.

Voici une liste de symptômes souvent pris à tort pour des défauts. Avant d'en rechercher les causes, lisez ces listes de vérifications destinées à éliminer les griefs mal fondés.

Nachstehend aufgeführt sind eine Anzahl von Symptomen, die oft irrtümlicherweise als Fehler angesehen werden. Um unzutreffende Beschwerden auszuschließen, zieht man zunächst die nachstehend aufgeführten Fehlerlisten zu Rate, bevor man nach der Ursache von Betriebsstörungen forscht.

#### 8-1. NO SOUNDS EMITTED

- 1) Too many scratches on the disc which activates the muting continuously.
- 2) Oversight in leaving pickup locking transit screws unremoved.
- 3) Disc loaded the wrong way round.
- 4) Incorrect connections to amplifier.
- 5) Inappropriate setting of amplifier selector switches.
- 6) A minimum setting of the line output volume control located on the rear panel has been set at the minimum position.
- 7) Failures in equipment other than CD-D1.
- 8) Dew formation on the disc.
- 9) Dew formation at the CD-D1 pickup lens area.
- 10) A CD-1 failure. (Proceed to troubleshooting.)

#### 8-1. PAS DE SON

- 1) Disque trop rayé: le silencieux est activé en permanence.
- 2) On a omis de retirer les vis de transport de la tête de lecture.
- 3) Le disque a été inséré à l'envers.
- 4) L'amplificateur est mal connecté.
- 5) Le sélecteur de fonction de l'amplificateur n'est pas sur la bonne position.
- 6) Le réglage du volume de sortie au dos de l'appareil est au minimum.
- 7) Panne d'un autre appareil que le CD-D1.
- 8) Buée sur le disque.
- 9) Buée sur la lentille de la tête de lecture.
- 10) Panne du CD-D1. (Voir: "Recherche de panne")

#### 8-1. KEINE KLANGWIEDERGABE

- 1) Zu viele Kratzer auf der Disc bewirken fortgesetztes Aktivieren der Muting-Funktion.
- 2) Es wurde vergessen, die Transport-schrauben zur Befestigung der Abtasteinheit zu entfernen.
- 3) Disc mit der falschen Seite nach oben gerichtet eingelegt.
- 4) Verstärker falsch angeschlossen.
- 5) Verstärker-Wahlschalter falsch eingestellt.
- 6) Der Line-Ausgangspegel-Regler auf der Rückseite steht auf Minimum.
- 7) Betriebsstörung an anderen Geräten der Anlage.
- 8) Niederschlag von Feuchtigkeit auf der Disc.
- 9) Niederschlag von Feuchtigkeit im Bereich des Abtast-Objektivs.
- 10) Betriebsstörung des CD-D1 (Fehler-suche beginnen.)

#### 8-2. INTERMITTENT SOUND

- 1) Disc scratches are activating the muting circuits.
- 2) Vibrations outside the set are activating the muting circuits.
- 3) Dew formation on disc or CD-D1.
- 4) Tilted installation of CD-D1.
- 5) Wide CD-D1 dynamic range activates muting action by the amplifier.
- 6) A CD-D1 failure. (Proceed to troubleshooting.)

#### 8-2. SON INTERMITTENT

- 1) Silencieux activé par des rayures du disque.
- 2) Silencieux activé par des vibrations extérieures.
- 3) Buée sur le disque ou le CD-D1.
- 4) Le CD-D1 est installé en position inclinée.
- 5) La large bande dynamique du CD-D1 déclenche le silencieux de l'amplificateur.
- 6) Panne du CD-D1. (Voir: "Recherche de panne")

#### 8-2. KLANGWIEDERGABE MIT UNTERBRECHUNGEN

- 1) Kratzer auf der Disc aktivieren die Muting-Funktion.
- 2) Von außerhalb des Gerätes einwirkende Schwingungen aktivieren die Muting-Funktion.
- 3) Niederschlag von Feuchtigkeit auf der Disc oder dem CD-D1.
- 4) Der CD-D1 steht nicht gerade.
- 5) Der große Dynamikumfang des CD-D1 aktiviert die Muting-Funktion des Verstärkers.
- 6) Betriebsstörung im CD-D1 (Fehler-suche beginnen.)

#### 8-3. DISTORTED SOUND

- 1) Excessively high setting of the line out volume control on the rear panel.
- 2) Failures in equipment other than CD-D1.
- 3) A CD-D1 failure. (Proceed to troubleshooting.)

#### 8-3. SON DÉFORMÉ

- 1) Réglage trop élevé du volume de sortie au dos de l'appareil.
- 2) Panne d'un autre appareil que le CD-D1.
- 3) Panne du CD-D1. (Voir: "Recherche de panne")

#### 8-3. KLANGVERZERRUNG

- 1) Extrem hohe Einstellung des Line-Ausgangspegels an der Rückseite.
- 2) Betriebsstörungen an anderen Geräten der Anlage.
- 3) Betriebsstörung am CD-D1 (Fehler-suche beginnen.)

#### 8-4. NOISE

- 1) Hiss noise due to the master for disc production having been an analog tape, instead of PCM recorded.
- 2) Overly high setting of the amplifier volume control that makes the amplifier itself generate noise.  
(Despite the 90 dB dynamic range, if the volume control is set high enough, hiss noises will be audible, because the hiss is at -70 dB of normal listening level.)
- 3) Noise generated by the external amplifier itself.
- 4) Noise from other adjacent electrical equipment (TV, radio, microcomputer, etc.).
- 5) A CD-DI failure. (Proceed to troubleshooting.)

#### 8-5. WOW AND FLUTTER

- 1) Intermittent sound emission caused by muting sometimes sounds like wow and flutter.
- 2) Due to some compact discs having been produced out of an old analog tape recording.
- 3) Customer's imagination.

#### 8-6. AUTO-SYSTEM MALFUNCTIONS

- 1) Disc scratches, finger marks, etc. generate errors.
- 2) Indexing exercised with a non-index disc.
- 3) More programs than recorded on disc have been keyed in.
- 4) Only extremely long playing time programs (such as classic music) have been accessed by music number.
- 5) Excessive warping or eccentricity of disc.
- 6) A CD-DI failure. (Proceed to troubleshooting.)

#### 8-4. BRUITS

- 1) Sifflements dus au fait que le disque a été produit à partir d'une bande traditionnelle non enregistré en PCM.
- 2) Réglage trop élevé du volume de l'amplificateur, et bruit causé par ce dernier.  
(Malgré la dynamique de 90 dB, si le volume est réglé assez fort, on entendra des sifflements, ceux-ci étant à -70 dB du niveau normal d'écoute.)
- 3) Bruits causés par l'amplificateur lui-même.
- 4) Bruits d'appareils électriques proches (TV, radio, micro-ordinateur, etc.) .
- 5) Panne du CD-DI. (Voir: "Recherche de panne")

#### 8-5. FLUCTUATION ET SCINTILLEMENT

- 1) Une émission intermittente de son due au silencieux peut causer cette sorte de sons.
- 2) Dus au fait que certains disques ont été produits à partir d'enregistrements anciens, sur bande traditionnelle.
- 3) Dus à l'imagination de l'utilisateur.

#### 8-6. MAUVAIS FONCTION- NEMENT DU SYSTÈME AUTOMATIQUE

- 1) Rayures, traces de doigts, etc., provoquent des erreurs.
- 2) Recherche d'index sur un disque non indexé.
- 3) Programmation d'un nombre de morceaux supérieur à celui du disque.
- 4) Seuls les programmes musicaux très longs (musique classique, par ex.) sont accessibles par numérotation du thème musical.
- 5) Disque trop déformé ou excentré.
- 6) Panne du CD-DI. (Voir: "Recherche de panne")

#### 8-4. RAUSCHEN

- 1) Eigenrauschen (Bandrauschen) kann bei der Disc-Herstellung auftreten, wenn es sich bei dem Master um ein Analogband und nicht um eine PCM-Aufnahme handelt.
- 2) Übermäßig hohe Einstellung des Verstärker-Lautstärkereglers bewirkt, daß der Verstärker selbst Rauschen erzeugt.  
(Wenn der Lautstärkeregler zu hoch eingestellt wird, so ist trotz des 90 dB-Dynamikumfangs Rauschen hörbar, da das Eigenrauschen bei -70 dB der normalen Hörlautstärke liegt.)
- 3) Durch den angeschlossenen Verstärker selbst erzeugtes Rauschen.
- 4) Durch andere in der Nähe befindliche elektrische Geräte (Fernseh- oder Radiogeräte, Mikrocomputer usw.) wird Rauschen erzeugt.
- 5) Betriebsstörung des CD-DI (Fehler-suche beginnen.)

#### 8-5. GLEICHLAUFSCHWAN- KUNGEN

- 1) Durch Aktivieren der Muting-Funktion bewirkte Klangwiedergabe mit Unterbrechungen klingt manchmal wie Gleichlaufschwankungen.
- 2) Einige CDs wurden aus alten Analogband-Aufzeichnungen hergestellt.
- 3) Akustische Täuschung des Kunden.

#### 8-6. BETRIEBSSTÖRUNGEN DER AUTOMATIK

- 1) Kratzer, Fingerabdrücke usw. auf der Disc erzeugen Fehler.
- 2) Der Indizierbetrieb wird auf einer Non-Index Disc durchgeführt.
- 3) Mehr Musikstücke als auf der Disc aufgenommen wurden eingegeben.
- 4) Nur Musikstücke mit extrem langer Spielzeit (z.B. bei klassischer Musik) haben eine Nummer für direkten Zugriff.
- 5) Die Disc ist extrem verwellt oder exzentrisch.
- 6) Betriebsstörung des CD-DI (Fehler-suche beginnen.)



---

**8-7. MECHANICAL NOISES**

- 1) Outrageously warped disc.
- 2) Foreign matter adhering to disc.
- 3) Ejector block trouble.
- 4) Auto-centering trouble.

**8-7. BRUITS MÉCANIQUES**

- 1) Disque totalement déformé.
- 2) Matière adhérent au disque.
- 3) Panne du bloc éjecteur.
- 4) Panne du centreur automatique.

**8-7. MECHANISCHE GERÄUSCHE**

- 1) Stark verwellte Disc.
- 2) An der Disc anhaftende Fremdkörper.
- 3) Betriebsstörung am Auswerfer-Block.
- 4) Betriebsstörung der Zentrierautomatik.

**8-8. DISC GETS SCRATCHED**

- 1) Foreign matter has entered the ejector block.
- 2) Overly warped disc.
- 3) Ejector block trouble.
- 4) Turntable height invalid.
- 5) Auto-centering trouble.

**8-8. RAYURES CAUSÉES AU DISQUE**

- 1) Présence anormale de matière dans le bloc éjecteur.
- 2) Disque excessivement déformé.
- 3) Panne du bloc éjecteur.
- 4) Mauvais réglage de hauteur du plateau.
- 5) Panne du centreur automatique.

**8-8. DISC WIRD VERKRATZT**

- 1) Eindringen von Fremdstoffen in den Auswerfer-Block.
- 2) Stark verwellte Disc.
- 3) Betriebsstörung im Auswerfer-Block.
- 4) Falsche Höheneinstellung des Plattentellers.
- 5) Betriebsstörung der Zentrierautomatik.

**8-9. POOR FREQUENCY RESPONSE**

- 1) The characteristics are those existing in the master tapes prior to the recording on discs, and normally cannot have been caused by the CD-D1.

**8-9. MAUVAISE RÉPONSE EN FREQUENCE**

- 1) Caractéristiques antérieures à l'enregistrement sur disque, et ne pouvant normalement être dues au CD-D1.

**8-9. SCHLECHTER FREQUENZGANG**

- 1) Diese Kennwerte sind schon vor der Aufzeichnung auf CD gegeben und können normalerweise nicht durch den CD-D1 verursacht werden.

**IX. MODEL CD-D1 TROUBLESHOOTING  
RECHERCHE DE PANNE SUR LE MODÈLE CD-D1  
MODELL CD-D1 FEHLERSUCHE**

**9-1. FAULT DIAGNOSIS FLOW CHART  
TABLEAU DE RÉPARATIONS DANS L'ORDRE  
REPARATUR-FLUSSDIAGRAMM**

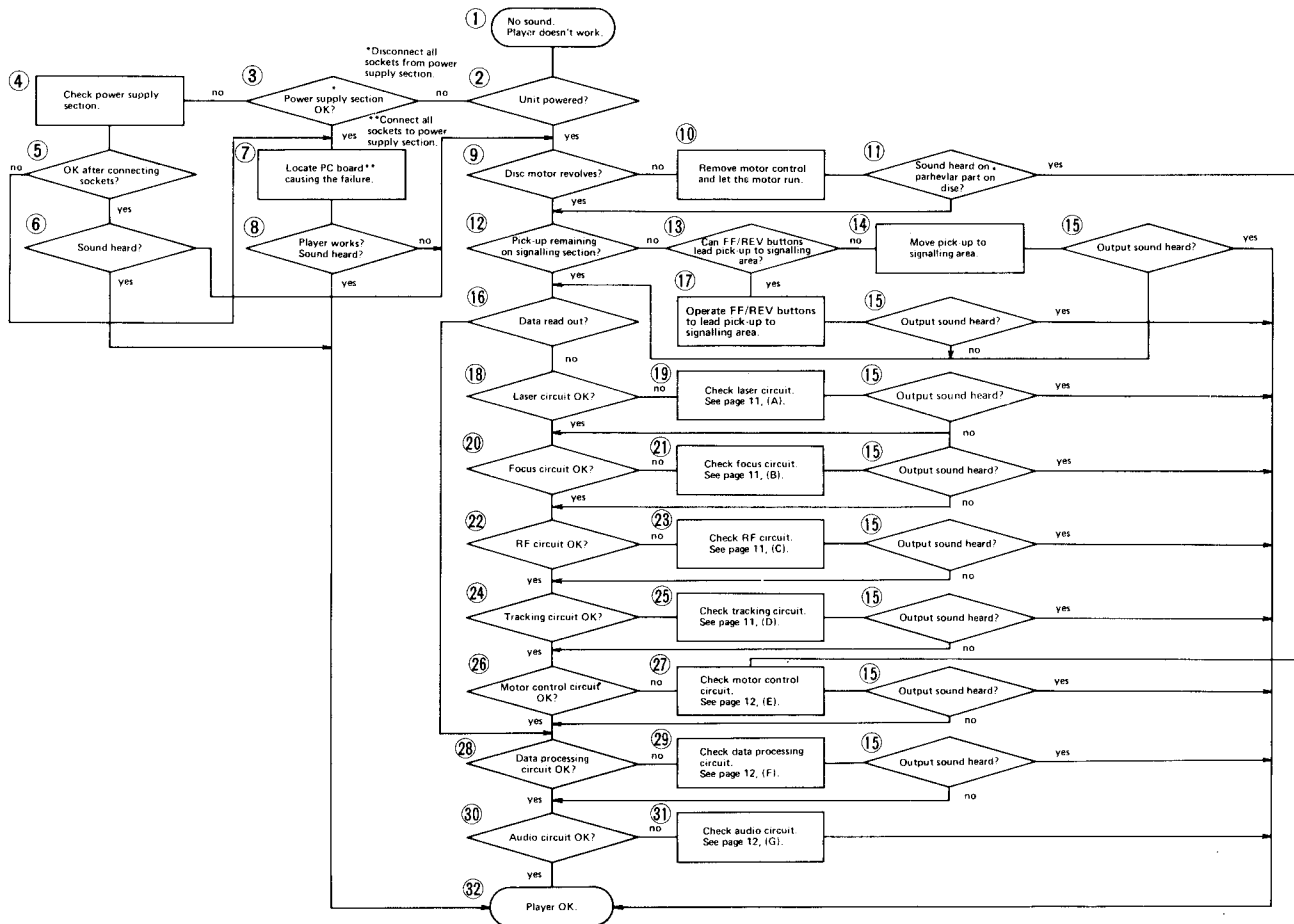


Chart 9-1

- ① No sound output.
- ② Is power supply normal?
- ③ Disconnect individual board connectors. Now, does power supply board check OK?
- ④ Repair power supply board.
- ⑤ Connect individual board connectors. OK now?
- ⑥ Any sound output?
- ⑦ Put connectors back on, localize a defective board, and repair it.
- ⑧ Any sound output?
- ⑨ Is disc motor normal?
- ⑩ Disengage motor control, and make motor revolve normally.
- ⑪ Does any part of disc give sound output?
- ⑫ Is pickup head at a standstill where data is recorded?
- ⑬ Can it be shifted with FF/REV to where data is recorded?
- ⑭ Make it stop where data is recorded.
- ⑮ Any sounds output?
- ⑯ Is data being read?
- ⑰ Shift it with FF/REV to where data is recorded.
- ⑱ Is Laser circuit OK?
- ⑲ Repair Laser circuit.
- ⑳ Is focus circuit OK?
- ㉑ Repair focus circuit.

- ① Pas d'émission de son.
- ② L'arrivée de courant est-elle normale?
- ③ Débranchez une par une les connexions du circuit. Le circuit d'alimentation fonctionne-t-il maintenant?
- ④ Réparez le circuit d'alimentation.
- ⑤ Rebranchez les connexions: OK?
- ⑥ Y a-t-il émission de son?
- ⑦ Rebranchez les connexions, localisez le circuit défectueux, réparez-le.
- ⑧ Y a-t-il émission de son?
- ⑨ Le moteur de la platine est-il normal?
- ⑩ Débloquez le contrôle du moteur, et faites tourner le moteur normalement.
- ⑪ Y a-t-il émission de son sur une partie du disque?
- ⑫ La tête de lecture est-elle immobilisée au niveau d'un passage enregistré?
- ⑬ Peut-on, en utilisant FF/REW, l'amener au niveau d'un passage enregistré?
- ⑭ Arrêtez-la au niveau d'un passage enregistré.
- ⑮ Y a-t-il émission de son?
- ⑯ Une information est-elle lue?
- ⑰ Déplacez-la, avec FF/REW, jusqu'au niveau d'un passage enregistré.
- ⑱ Le circuit Laser fonctionne-t-il?
- ⑲ Réparez le circuit Laser.
- ⑳ Le circuit de mise au point fonctionne-t-il?
- ㉑ Réparez le circuit de mise au point.

- ① Keine Klangwiedergabe
- ② Ist die Stromversorgung normal?
- ③ Die Steckverbinder der einzelnen Leiterplatten abtrennen. Arbeitet die Stromversorgungs-Leiterplatte jetzt einwandfrei?
- ④ Die Stromversorgungs-Leiterplatte instandsetzen.
- ⑤ Die einzelnen Leiterplatten-Steckverbinder anschließen. Funktioniert einwandfrei?
- ⑥ Erfolgt Klangwiedergabe?
- ⑦ Die Steckverbinder wieder anschließen, die defekte Leiterplatte auffinden und instandsetzen.
- ⑧ Erfolgt Klangwiedergabe?
- ⑨ Arbeitet der Disc-Motor normal?
- ⑩ Die Motorregelung abtrennen und den Motor mit normaler Drehzahl laufen lassen.
- ⑪ Produziert ein Teil der Disc Geräusche?
- ⑫ Steht der Abtastkopf an einer Stelle, die Datenaufzeichnungen enthält?
- ⑬ Kann er mit FF/REV an eine Stelle verschoben werden, an der Daten aufgezeichnet sind?
- ⑭ Den Abtastkopf an einer Stellen stoppen, an der Daten aufgezeichnet sind.
- ⑮ Erfolgt Klangwiedergabe?
- ⑯ Werden die Daten gelesen?
- ⑰ Mit FF/REV an eine Stelle bewegen, an der Daten aufgezeichnet sind.
- ⑱ Ist der Laser-Schaltkreis in Ordnung?
- ⑲ Laser-Schaltkreis instandsetzen.
- ⑳ Ist der Fokus-Schaltkreis in Ordnung?
- ㉑ Fokus-Schalter instandsetzen.

- 22 Is RF circuit OK?
- 23 Repair RF circuit.
- 24 Is tracking circuit OK?
- 25 Repair tracking circuit.
- 26 Is motor control circuit OK?
- 27 Repair motor control circuit.
- 28 Is data processing circuit OK?
- 29 Repair data processing circuit.
- 30 Is audio circuit OK?
- 31 Repair audio circuit.
- 32 CD player is now normal.

- 22 Le circuit RF fonctionne-t-il?
- 23 Réparez le circuit RF.
- 24 Le circuit de poursuite de piste fonctionne-t-il?
- 25 Réparez le circuit de poursuite de piste.
- 26 Le circuit de contrôle du moteur fonctionne-t-il?
- 27 Réparez le circuit de contrôle du moteur.
- 28 Le circuit processeur d'informations fonctionne-t-il?
- 29 Réparez le circuit processeur d'information.
- 30 Le circuit audio fonctionne-t-il?
- 31 Réparez le circuit audio.
- 32 Le lecteur CD fonctionne maintenant normalement.

- 22 Ist der HF-Schaltkreis in Ordnung?
- 23 HF-Schaltkreis instandsetzen.
- 24 Ist der Spurnachführungs-Schaltkreis in Ordnung?
- 25 Spurnachführungs-Schaltkreis instandsetzen.
- 26 Ist der Motorregelungs-Schaltkreis in Ordnung?
- 27 Motorregelungs-Schaltkreis instandsetzen.
- 28 Ist der Datenverarbeitungs-Schaltkreis in Ordnung?
- 29 Datenverarbeitungs-Schaltkreis instandsetzen.
- 30 Ist der Audio-Schaltkreis in Ordnung?
- 31 Audio-Schaltkreis instandsetzen.
- 32 Der CD-Spieler arbeitet jetzt normal.

**9-2. LASER CIRCUIT FAULT DIAGNOSIS FLOW CHART**  
**TABLEAU DE RÉPARATION DU CIRCUIT LASER**  
**REPARATUR-FLUSSDIAGRAMM FÜR DEN LASER-SCHALTKREIS**

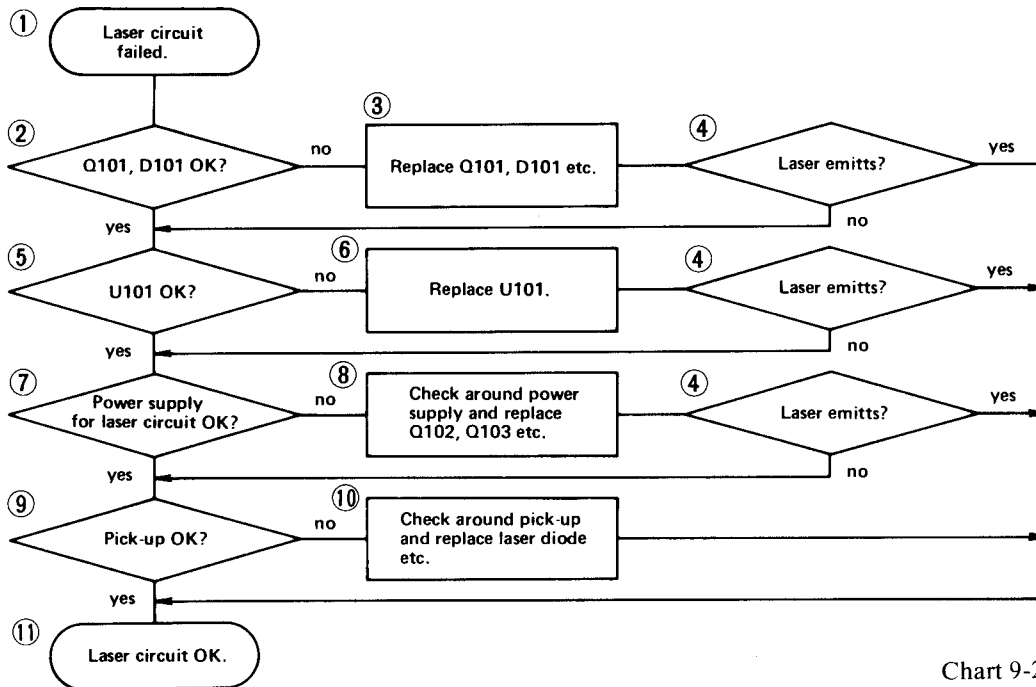


Chart 9-2

- 1 Laser circuit defective.
- 2 Are switch peripheral circuits OK?
- 3 Repair switch peripheral circuits. (Potential exists for defective Q101 and D101.)
- 4 Does Laser emit light?
- 5 Are op amp peripheral circuits OK?
- 6 Repair op amp peripheral circuits. (Potential exists for defective U101.)
- 7 Is power related circuit OK?
- 8 Repair power related circuit. (Potential exists for defective Q102 and Q103.)
- 9 Are pickup peripheral circuits OK?
- 10 Repair pickup peripheral circuits. (Potential exists for defective Laser diode.)
- 11 Laser circuit now normal.

- 1 Circuit Laser défectueux.
- 2 Les circuits périphériques d'intervention fonctionnent-ils?
- 3 Réparez ces circuits. (Défaillance possible de Q101 et D101.)
- 4 Le Laser émet-il de la lumière?
- 5 Les circuits périphériques de l'ampli op fonctionnent-ils?
- 6 Réparez ces circuits. (Défaillance possible de U101.)
- 7 Le circuit relié à l'alimentation fonctionne-t-il?
- 8 Réparez le circuit relié à l'alimentation. (Défaillance possible de Q102 et Q103.)
- 9 Les circuits périphériques de la tête de lecture fonctionnent-ils?
- 10 Réparez les circuits périphériques de la tête de lecture. (Défaillance possible de la diode Laser.)
- 11 Le circuit laser est maintenant normal.

- 1 Laser-Schaltkreis defekt.
- 2 Sind die Peripherie-Schaltkreise in Ordnung?
- 3 Die Peripherie-Schaltkreise instandsetzen. (Möglicherweise sind Q101 und D101 defekt.)
- 4 Erfolgt die Laserlicht-Emission?
- 5 Sind die Peripherie-Schaltkreise des Operationsverstärkers in Ordnung?
- 6 Die Peripherie-Schaltkreise des Operationsverstärkers instandsetzen. (Möglicherweise ist U101 defekt.)
- 7 Ist der Stromversorgungs-Schaltkreis in Ordnung?
- 8 Den Stromversorgungs-Schaltkreis instandsetzen. (Möglicherweise sind Q102 und Q103 defekt.)
- 9 Sind die Peripherie-Schaltkreise der Abtastvorrichtung in Ordnung?
- 10 Die Peripherie-Schaltkreise der Abtastvorrichtung instandsetzen. (Möglicherweise ist die Laserdiode defekt.)
- 11 Laser-Schaltkreis arbeitet jetzt normal.

**9-3. FOCUS SERVO CIRCUIT FAULT DIAGNOSIS FLOW CHART**  
**TABLEAU DE RÉPARATION DE L'ASSERVISSEMENT DE MISE AU POINT**  
**REPARATUR-FLUSSDIAGRAMM FÜR DEN FOKUS-SERVO-SCHALTKREIS**

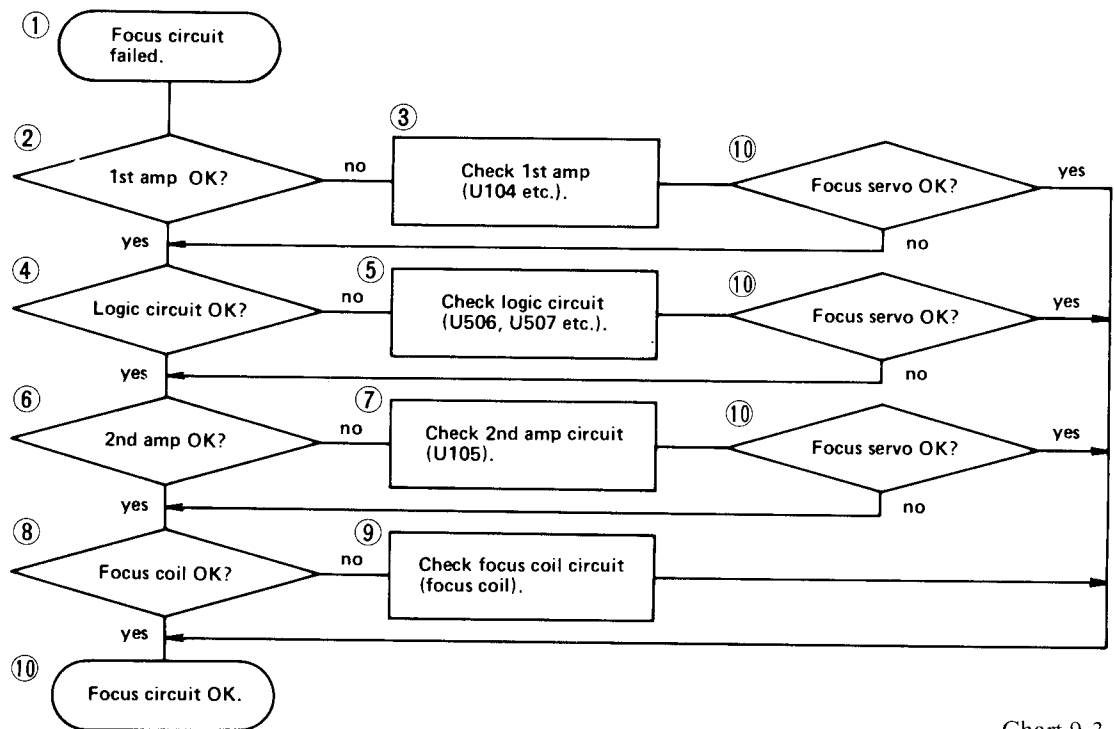


Chart 9-3

- ① Focus circuit defective.
- ② Are 1st amp peripheral circuits OK?
- ③ Repair 1st amp peripheral circuits. (Potential exists for defective U104.)
- ④ Is logic circuit OK?
- ⑤ Repair logic circuit. (Potential exists for defective U506 and U507.)
- ⑥ Are 2nd amp peripheral circuits OK?
- ⑦ Repair 2nd amp peripheral circuits. (Potential exists for defective U105.)
- ⑧ Is focus coil peripheral circuit OK?
- ⑨ Repair focus coil peripheral circuit. (Potential exists for defective focus coil.)
- ⑩ Focus circuit now normal.

- ① Défaillance du circuit de mise au point.
- ② Les circuits périphériques du premier ampli fonctionnent-ils?
- ③ Réparez les circuits périphériques du premier ampli. (Défaillance possible de U104.)
- ④ Le circuit logique fonctionne-t-il?
- ⑤ Réparez le circuit logique. (Défaillance possible de U506 et U507.)
- ⑥ Les circuits périphériques du second ampli fonctionnent-ils?
- ⑦ Réparez les circuits périphériques du second ampli. (Défaillance possible de U105.)
- ⑧ Le circuit périphérique du bobinage de mise au point fonctionne-t-il?
- ⑨ Réparez ce circuit. (Défaillance possible du bobinage de mise au point.)
- ⑩ Le circuit de mise au point fonctionne normalement.

- ① Fokus-Schaltkreis defekt.
- ② Sind die Peripherie-Schaltkreise des ersten Verstärkers in Ordnung?
- ③ Die Peripherie-Schaltkreise des ersten Verstärkers instandsetzen. (Möglicherweise ist U104 defekt.)
- ④ Ist die Logikschaltung in Ordnung?
- ⑤ Die Logikschaltung instandsetzen. (Möglicherweise sind U506 und U507 defekt.)
- ⑥ Sind die Peripherie-Schaltkreise des zweiten Verstärkers in Ordnung?
- ⑦ Die Peripherie-schaltkreise des zweiten Verstärkers instandsetzen. (Möglicherweise ist U104 defekt.)
- ⑧ Ist der Peripherie-Schaltkreis der Fokusspule in Ordnung?
- ⑨ Den Peripherie-Schaltkreis der Fokusspule instandsetzen. (Möglicherweise ist die Fokusspule defekt.)
- ⑩ Der Fokus-Schaltkreis arbeitet jetzt normal.

**9-4. RF CIRCUIT FAULT DIAGNOSIS FLOW CHART**  
**TABLEAU DE RÉPARATION DU CIRCUIT RF**  
**REPARATUR-FLUSSDIAGRAMM FÜR DEN HF-SCHALTKREIS**

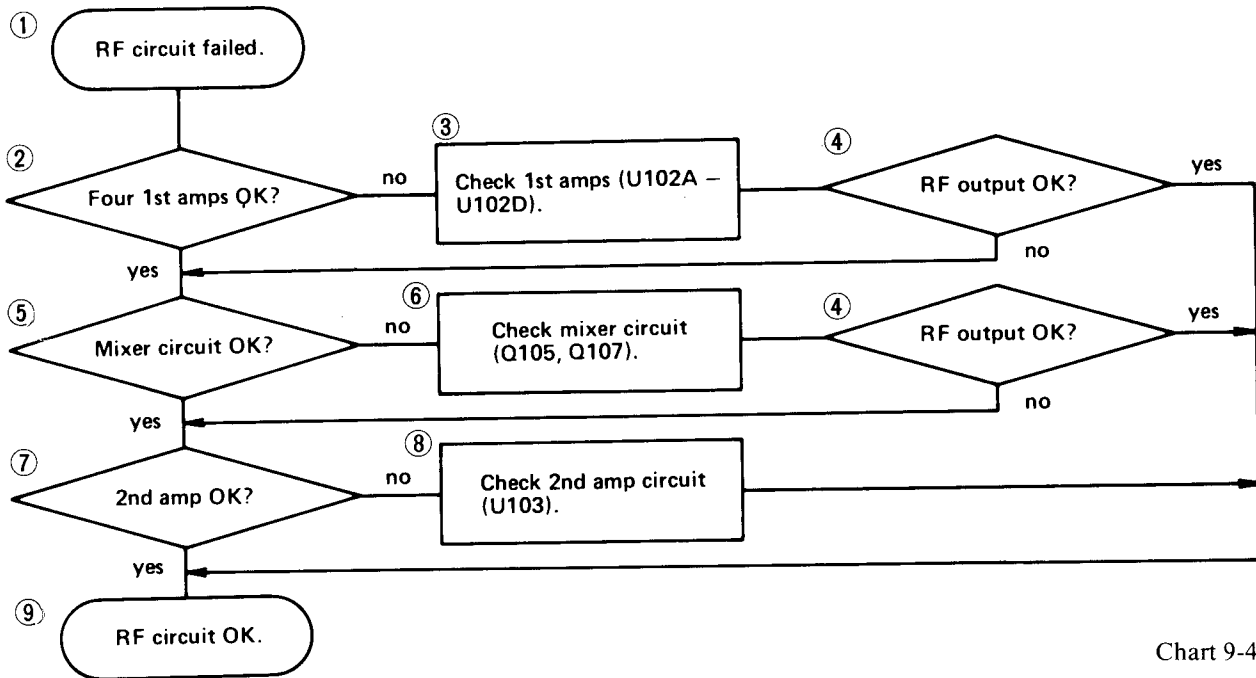


Chart 9-4

- ① RF circuit defective.
- ② Are 1st amp peripheral circuits ④ OK?
- ③ Repair 1st amp peripheral circuits ④. (Potential exists for defective U102 (A to D).)
- ④ Is RF output normal?
- ⑤ Is mixer transistor peripheral circuit OK?
- ⑥ Repair mixer transistor peripheral circuit. (Potential exists for defective Q105 and Q107.)
- ⑦ Is 2nd amp peripheral circuit OK?
- ⑧ Repair 2nd amp peripheral circuit. (Potential exists for defective U103.)
- ⑨ RF circuit now normal.

- ① Défaillance du circuit RF.
- ② Les circuits périphériques du premier ampli ④ fonctionnent-ils?
- ③ Réparez les circuits périphériques du premier ampli ④. (Défaillance possible de U102 (A à D).)
- ④ La sortie RF est-elle normale?
- ⑤ Le circuit périphérique de transistor mélangeur fonctionne-t-il?
- ⑥ Réparez ce circuit. (Défaillance possible de Q105 et Q107.)
- ⑦ Le circuit périphérique du second ampli fonctionne-t-il?
- ⑧ Réparez le circuit périphérique du second ampli. (Défaillance possible de U103.)
- ⑨ Le circuit RF fonctionne maintenant normalement.

- ① HF-Schaltkreis defekt.
- ② Sind die Peripherie-Schaltkreise ④ des ersten Verstärkers in Ordnung?
- ③ Die Peripherie-Schaltkreise ④ des ersten Verstärkers instandsetzen. (Möglicherweise ist U102 (A bis D) defekt.)
- ④ Ist der HF-Ausgang normal?
- ⑤ Ist der mixer Tr Peripherie-Schaltkreis in Ordnung?
- ⑥ Den mixer Tr Peripherie-Schaltkreis instandsetzen. (Möglicherweise ist Q105 und Q107 defekt.)
- ⑦ Ist der Peripherie-Schaltkreis des zweiten Verstärkers in Ordnung?
- ⑧ Den Peripherie-Schaltkreis des zweiten Verstärkers instandsetzen. (Möglicherweise ist U103 defekt.)
- ⑨ Der HF-Schaltkreis arbeitet jetzt normal.

## 9-5. TRACKING SERVO CIRCUIT FAULT DIAGNOSIS FLOW CHART

### TABLEAU DE RÉPARATION DE L'ASSERVISSEMENT DE POURSUITE DE PISTE

### REPARATUR-FLUSSDIAGRAMM FÜR DEN SPURNACHFÜHRUNGS-SERVO-SCHALTKREIS

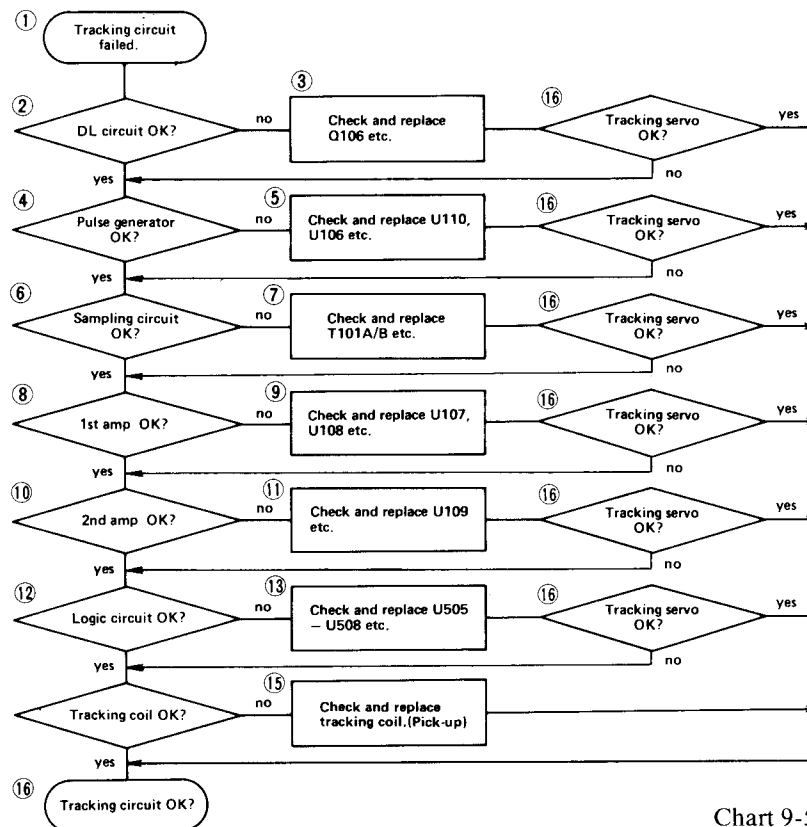


Chart 9-5

- ① Tracking circuit defective.
- ② Is DL peripheral circuit OK?
- ③ Repair DL peripheral circuit. (Potential exists for defective Q106.)
- ④ Is pulse generator peripheral circuit OK?
- ⑤ Repair pulse generator peripheral circuit. (Potential exists for defective U110 and U106.)
- ⑥ Is sampling peripheral circuit OK?
- ⑦ Repair sampling peripheral circuit. (Potential exists for defective T101 (A and B).)
- ⑧ Is 1st amp peripheral circuit OK?
- ⑨ Repair 1st amp peripheral circuit. (Potential exists for defective U107 and U108.)
- ⑩ Is 2nd amp peripheral circuit OK?
- ⑪ Repair 2nd amp peripheral circuit. (Potential exists for defective U109.)
- ⑫ Is logic circuit OK?
- ⑬ Repair logic circuit. (Potential exists for defective U505, U506, U507, U508, and U509.)
- ⑭ Is tracking coil peripheral circuit OK?
- ⑮ Repair tracking coil peripheral circuit. (Potential exists for defective tracking coil.)
- ⑯ Tracking circuit now normal.

- ① Défaillance du circuit de poursuite de piste.
- ② Le circuit périphérique DL fonctionne-t-il?
- ③ Réparez le circuit périphérique DL. (Défaillance possible de Q106.)
- ④ Le circuit périphérique du générateur d'impulsions fonctionne-t-il?
- ⑤ Réparez le circuit périphérique du générateur d'impulsions. (Défaillance possible de U110 et U106.)
- ⑥ Le circuit périphérique d'étalonnage fonctionne-t-il?
- ⑦ Réparez ce circuit. (Défaillance possible de T101 (A et B).)
- ⑧ Le circuit périphérique du premier ampli fonctionne-t-il?
- ⑨ Réparez le circuit périphérique du premier ampli. (Défaillance possible de U107 et U108.)
- ⑩ Le circuit périphérique du second ampli fonctionne-t-il?
- ⑪ Réparez le circuit périphérique de second ampli. (Défaillance possible de U109.)
- ⑫ Le circuit logique fonctionne-t-il?
- ⑬ Réparez le circuit logique. (Défaillances possibles de U505, U506, U507, U508 et U509.)
- ⑭ Le circuit périphérique du bobinage de poursuite de piste fonctionne-t-il?
- ⑮ Réparez ce circuit. (Défaillance possible du bobinage de poursuite de piste.)
- ⑯ Le circuit de poursuite de piste est maintenant normal.

- ① Spurnachführungs-Schaltkreis defekt.
- ② Ist der DL-Peripherie-Schaltkreis in Ordnung?
- ③ Den DL-Peripherie-Schaltkreis instandsetzen. (Möglicherweise ist Q106 defekt.)
- ④ Ist der Pulsgenerator-Peripherie-Schaltkreis in Ordnung?
- ⑤ Den Pulsgenerator-Peripherie-Schaltkreis instandsetzen. (Möglicherweise ist U110 und U106 defekt.)
- ⑥ Ist der Abtast-Peripherie-Schaltkreis in Ordnung?
- ⑦ Den Abtast-Peripherie-Schaltkreis instandsetzen. (Möglicherweise ist T101 (A und B) defekt.)
- ⑧ Ist der Peripherie-Schaltkreis des ersten Verstärkers in Ordnung?
- ⑨ Den Peripherie-Schaltkreis des ersten Verstärkers instandsetzen. (Möglicherweise ist U107 und U108 defekt.)
- ⑩ Ist der Peripherie-Schaltkreis des zweiten Verstärkers in Ordnung?
- ⑪ Den Peripherie-Schaltkreis des zweiten Verstärkers instandsetzen. (Möglicherweise ist U109 defekt.)
- ⑫ Ist die Logikschaltung in Ordnung?
- ⑬ Die Logikschaltung instandsetzen. (Möglicherweise ist U505, U506, U507, U508 und U509 defekt.)
- ⑭ Ist der Peripherie-Schaltkreis der Spurnachführungs-Spule in Ordnung?
- ⑮ Den Peripherie-Schaltkreis der Spurnachführungs-Spule instandsetzen. (Möglicherweise ist die Spurnachführungs-Spule defekt.)
- ⑯ Der Spurnachführungs-Schaltkreis arbeitet jetzt normal.

**9-6. MOTOR CONTROL CIRCUIT FAULT DIAGNOSIS FLOW CHART**  
**TABLEAU DE RÉPARATION DU CIRCUIT DE CONTRÔLE DU MOTEUR**  
**REPARATUR-FLUSSDIAGRAMM FÜR DEN MOTORREGEL-SCHALTKEIS**

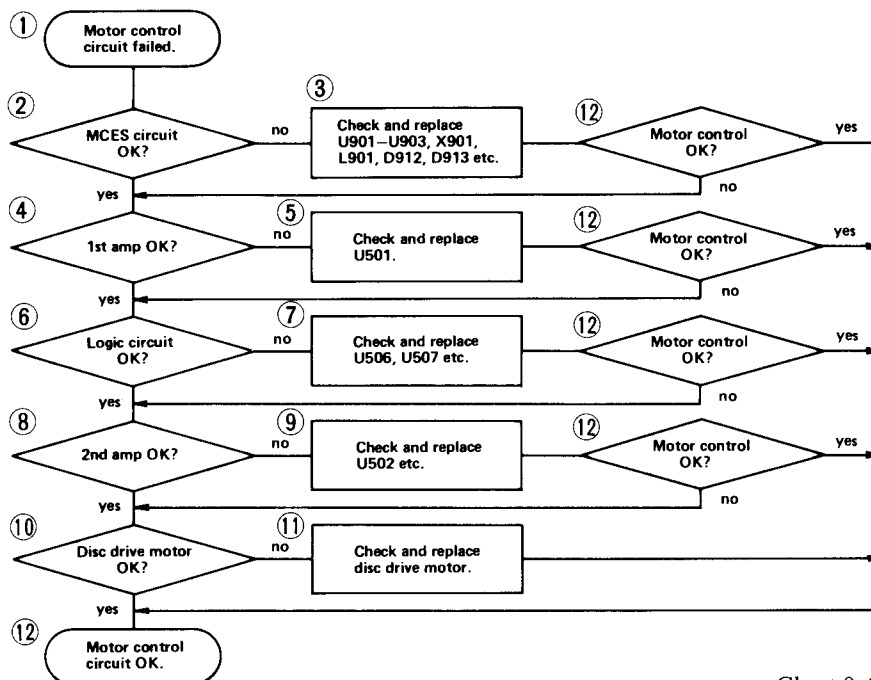


Chart 9-6

- ① Motor control circuit defective.
- ② Is MCES peripheral circuit OK?
- ③ Repair MCES peripheral circuit. (Potential exists for defective U901, U902, U903, X901, L901, D912, and D913.)
- ④ Is 1st amp peripheral circuit OK?
- ⑤ Repair 1st amp peripheral circuit. (Potential exists for defective U501.)
- ⑥ Is logic circuit OK?
- ⑦ Repair logic circuit. (Potential exists for defective U506 and U507.)
- ⑧ Is 2nd amp peripheral circuit OK?
- ⑨ Repair 2nd amp peripheral circuit. (Potential exists for defective U502.)
- ⑩ Is disc motor peripheral circuit OK?
- ⑪ Repair disc motor peripheral circuit. (Potential exists for defective disc motor.)
- ⑫ Motor control now normal.

- ① Défaillance du circuit de contrôle du moteur.
- ② Le circuit périphérique MCES fonctionne-t-il?
- ③ Réparez le circuit périphérique MCES. (Défaillance possible de U901, U902, U903, X901, L901, D912 et D913.)
- ④ Le circuit périphérique du premier ampli fonctionne-t-il?
- ⑤ Réparez le circuit périphérique du premier ampli. (Défaillance possible de U501.)
- ⑥ Le circuit logique fonctionne-t-il?
- ⑦ Réparez le circuit logique. (Défaillance possible de U506 et U507.)
- ⑧ Le circuit périphérique du second ampli fonctionne-t-il?
- ⑨ Réparez le circuit périphérique du second ampli. (Défaillance possible de U502.)
- ⑩ Le circuit périphérique du moteur de disque fonctionne-t-il?
- ⑪ Réparez le circuit périphérique du moteur de disque. (Défaillance possible du moteur.)
- ⑫ Le contrôle du moteur est maintenant normal.

- ① Motorregel-Schaltkreis defekt.
- ② Ist der Peripherie-Schaltkreis des Motorregel-Schaltkreises in Ordnung?
- ③ Den Peripherie-Schaltkreis des Motorregel-Schaltkreises instandsetzen. (Möglicherweise ist U901, U902, U903, X901, L901, D912 und D913 defekt.)
- ④ Ist der Peripherie-Schaltkreis des ersten Verstärkers in Ordnung?
- ⑤ Den Peripherie-Schaltkreis des ersten Verstärkers instandsetzen. (Möglicherweise ist U501 defekt.)
- ⑥ Ist die Logikschaltung in Ordnung?
- ⑦ Die Logikschaltung instandsetzen. (Möglicherweise ist U506 und U507 defekt.)
- ⑧ Ist der Peripherie-Schaltkreis des zweiten Verstärkers in Ordnung?
- ⑨ Den Peripherie-Schaltkreis des zweiten Verstärkers instandsetzen. (Möglicherweise ist U502 defekt.)
- ⑩ Ist der Peripherie-Schaltkreis des Disc-Motors in Ordnung?
- ⑪ Den Peripherie-Schaltkreis des Disc-Motors instandsetzen. (Möglicherweise ist der Disc-Motor defekt.)
- ⑫ Die Motorregelung arbeitet jetzt normal.

**9-7. DATA PROCESSING CIRCUIT FAULT DIAGNOSIS FLOW CHART**  
**TABLEAU DE RÉPARATION DU CIRCUIT PROCESSEUR D'INFORMATION**  
**REPARATUR-FLUSSDIAGRAMM FÜR DEN DATENVERARBEITUNGS-SCHALTKREIS**

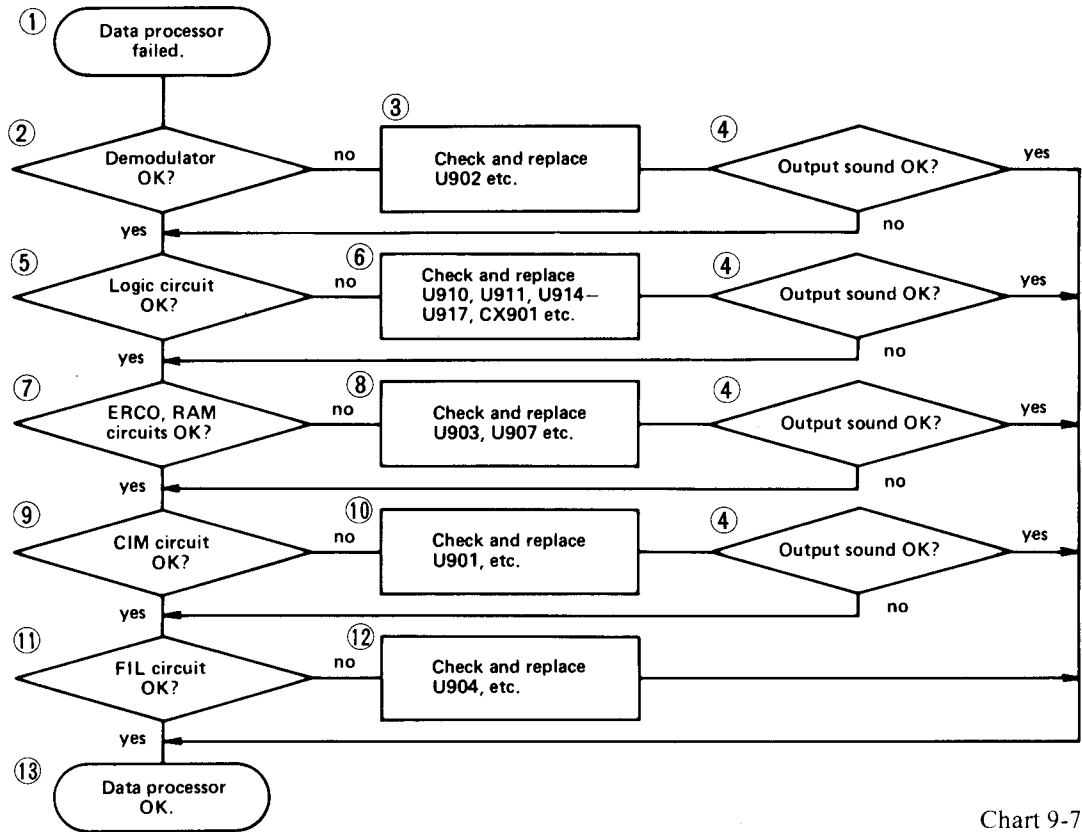


Chart 9-7

- ① Data processing circuit defective.
- ② Is DEMOD peripheral circuit OK?
- ③ Repair DEMOD peripheral circuit. (Potential exists for defective U902.)
- ④ Is sound output normal?
- ⑤ Is logic peripheral circuit OK?
- ⑥ Repair logic peripheral circuit. (Potential exists for defective U914, U915, U916, U917, U910, U911, and EX901.)
- ⑦ Are ERCO, RAM peripheral circuits OK?
- ⑧ Repair ERCO, RAM peripheral circuits. (Potential exists for defective U903 and U907.)
- ⑨ Is CIM peripheral circuit OK?
- ⑩ Repair CIM peripheral circuit. (Potential exists for defective U901.)
- ⑪ Is FIL peripheral circuit OK?
- ⑫ Repair FIL peripheral circuit. (Potential exists for defective U904.)
- ⑬ Data processing circuit now normal.

- ① Défaillance du circuit processeur d'information.
- ② Le circuit périphérique DEMOD fonctionne-t-il?
- ③ Réparez le circuit périphérique DEMOD. (Défaillance possible de U902.)
- ④ L'émission de son est-elle normale?
- ⑤ Le circuit logique périphérique fonctionne-t-il?
- ⑥ Réparez le circuit logique périphérique. (Défaillance possible de U914, U915, U916, U917, U910, U911 et EX901.)
- ⑦ Les circuits périphériques ERCO et RAM fonctionnent-ils?
- ⑧ Réparez les circuits périphériques ERCO et RAM. (Défaillance possible de U903 et U907.)
- ⑨ Le circuit périphérique CIM fonctionne-t-il?
- ⑩ Réparez le circuit périphérique CIM. (Défaillance possible de U901.)
- ⑪ Le circuit périphérique FIL fonctionne-t-il?
- ⑫ Réparez le circuit périphérique FIL. (Défaillance possible de U904.)
- ⑬ Le circuit processeur d'information est maintenant normal.

- ① Datenverarbeitungs-Schaltkreis defekt.
- ② Ist der Peripherie-Schaltkreis des Datenverarbeitungs-Schaltkreises in Ordnung?
- ③ Den Peripherie-Schaltkreis des Datenverarbeitungs-Schaltkreises instandsetzen. (Möglicherweise ist U902 defekt.)
- ④ Erfolgt normale Klangwiedergabe?
- ⑤ Ist der Logik-Peripherie-Schaltkreis in Ordnung?
- ⑥ Den Logik-Peripherie-Schaltkreis instandsetzen. (Möglicherweise ist U914, U915, U916, U917, U910, U911 und EX901 defekt.)
- ⑦ Sind die Peripherie-Schaltkreise von ERCO, RAM in Ordnung?
- ⑧ Die Peripherie-Schaltkreise von ERCO, RAM instandsetzen. (Möglicherweise ist U903 und U907 defekt.)
- ⑨ Ist der CIM-Peripherie-Schaltkreis in Ordnung?
- ⑩ DEN CIM-Peripherie-Schaltkreis instandsetzen. (Möglicherweise ist U901 defekt.)
- ⑪ Ist der FIL-Peripherie-Schaltkreis in Ordnung?
- ⑫ DEN FIL-Peripherie-Schaltkreis instandsetzen. (Möglicherweise ist U904 defekt.)
- ⑬ Der Datenverarbeitung-Schaltkreis arbeitet nun normal.



**9-8. AUDIO CIRCUIT FAULT DIAGNOSIS FLOW CHART**  
**TABLEAU DE RÉPARATION DU CIRCUIT AUDIO**  
**REPARATUR-FLUSSDIAGRAMM FÜR DEN AUDIO-SCHALTKREIS**

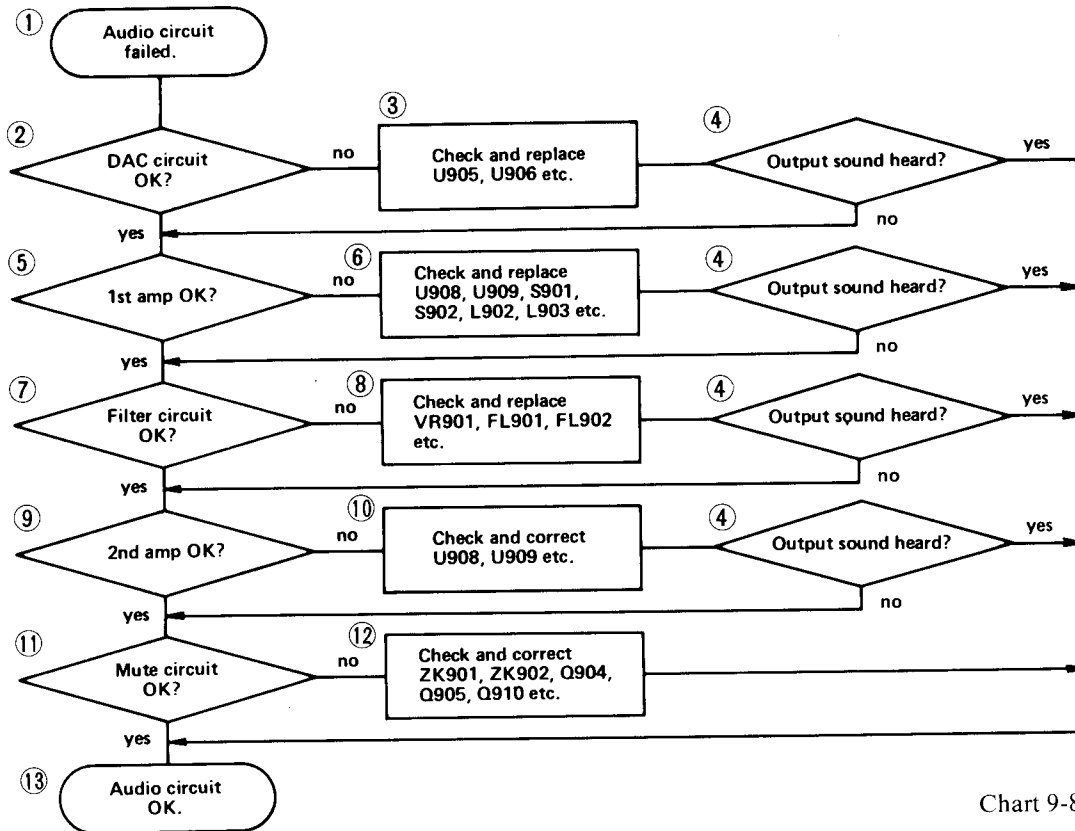


Chart 9-8

- ① Audio circuit defective.
- ② Is DAC peripheral circuit OK?
- ③ Repair DAC peripheral circuit. (Potential exists for defective U905 and U906.)
- ④ Any sound output?
- ⑤ Is 1st amp peripheral circuit OK?
- ⑥ Repair 1st amp peripheral circuit. (Potential exists for defective U908, U909, S901, S902, L902, and L903.)
- ⑦ Is filter peripheral circuit OK?
- ⑧ Repair filter peripheral circuit. (Potential exists for defective VP901, FL901, and FL902.)
- ⑨ Is 2nd amp peripheral circuit OK?
- ⑩ Repair 2nd amp peripheral circuit. (Potential exists for defective U902 and U909.)
- ⑪ Is muting peripheral circuit OK?
- ⑫ Repair muting peripheral circuit. (Potential exists for defective EK901, EK902, Q904, Q905, and Q510.)
- ⑬ Audio circuit now normal.

- ① Défaillance du circuit audio.
- ② Le circuit périphérique DAC fonctionne-t-il?
- ③ Réparez le circuit périphérique DAC. (Défaillances possibles de U905 et U906.)
- ④ Y a-t-il émission de sons?
- ⑤ Le circuit périphérique du premier ampli fonctionne-t-il?
- ⑥ Réparez le circuit périphérique du premier ampli. (Défaillance possible de U908, U909, S901, S902, L902 et L903.)
- ⑦ Le circuit périphérique du filtre fonctionne-t-il?
- ⑧ Réparez le circuit périphérique du filtre. (Défaillance possible de VP901, FL901, et FL902.)
- ⑨ Le circuit périphérique du second ampli fonctionne-t-il?
- ⑩ Réparez le circuit périphérique du second ampli. (Défaillance possible de U902 et U909.)
- ⑪ Le circuit périphérique du silencieux fonctionne-t-il?
- ⑫ Réparez le circuit périphérique du silencieux. (Défaillance possible de EK901, EK902, Q904, Q905 et Q510.)
- ⑬ Le circuit audio est maintenant normal.

- ① Audio-Schaltkreis defekt.
- ② Ist der DAC-Peripherie-Schaltkreis in Ordnung?
- ③ Den DAC-Peripherie-Schaltkreis instandsetzen. (Möglicherweise ist U905 und U906 defekt.)
- ④ Erfolgt Klangwiedergabe?
- ⑤ Ist der Peripherie-Schaltkreis des ersten Verstärkers in Ordnung?
- ⑥ Den Peripherie-Schaltkreis des ersten Verstärkers instandsetzen. (Möglicherweise ist U908, U909, S901, S902, L902 und L903 defekt.)
- ⑦ Ist der Peripherie-Schaltkreis des Filters in Ordnung?
- ⑧ Den Peripherie-Schaltkreis des Filters instandsetzen. (Möglicherweise ist VP901, FL901 und FL902 defekt.)
- ⑨ Ist der Peripherie-Schaltkreis des zweiten Verstärkers in Ordnung?
- ⑩ Den Peripherie-Schaltkreis des zweiten Verstärkers instandsetzen. (Möglicherweise ist U902 und U909 defekt.)
- ⑪ Ist der Muting-Peripherie-Schaltkreis in Ordnung?
- ⑫ Den Muting-Peripherie-Schaltkreis instandsetzen. (Möglicherweise ist EK901, EK902, Q904, Q905 und Q510 defekt.)
- ⑬ Der Audio-Schaltkreis arbeitet nun normal.

**X. VARIOUS WAVEFORMS AT EACH CHECK POINT  
FORMES D'ONDE DIVERSES À CHAQUE POINT DE CONTRÔLE  
VERSCHIEDENE WELLENFORMEN AN JEDEM KONTROLLPUNKT**

**10-1. SERVO P.C BOARD APSSA001AD (J . E . B . V . S Model), APSSA001BD (C . A Model)**

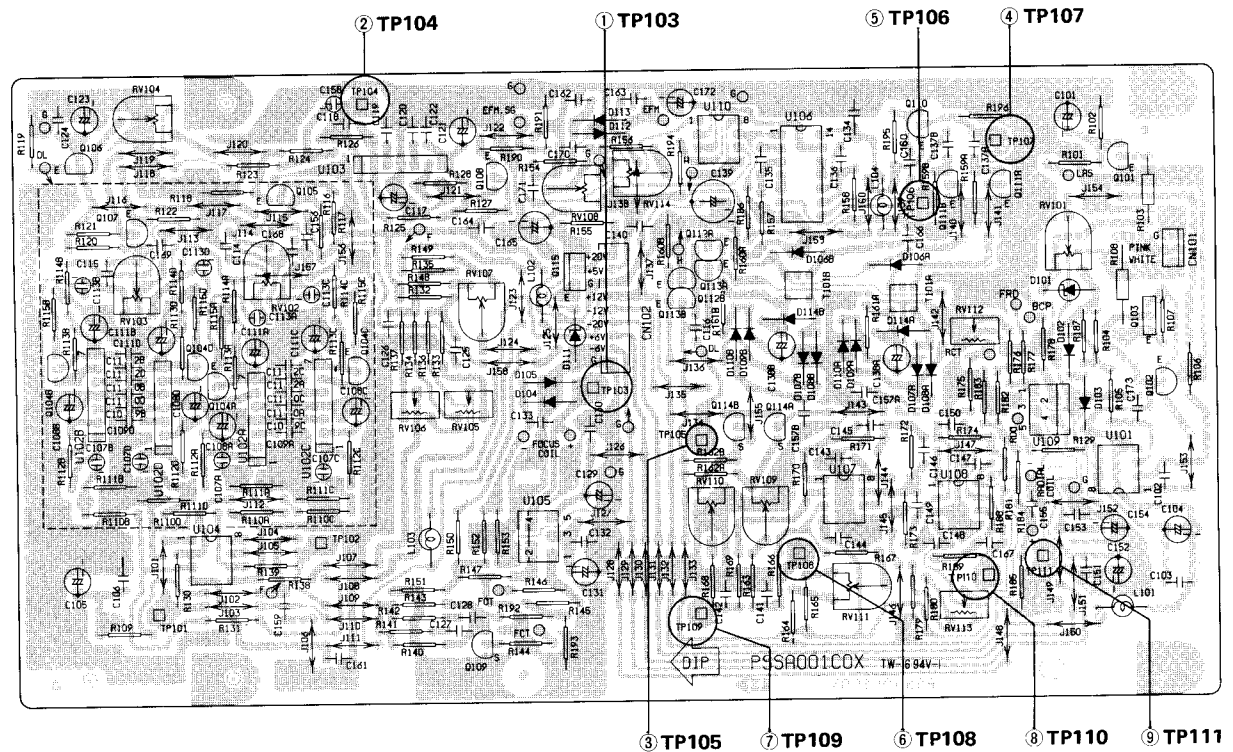
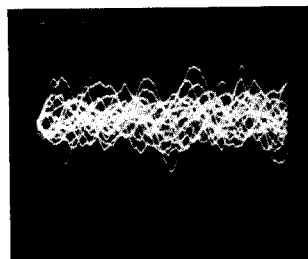
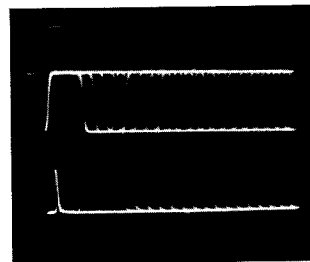


Fig. 10-1 Servo P.C Board Waveform Check Points

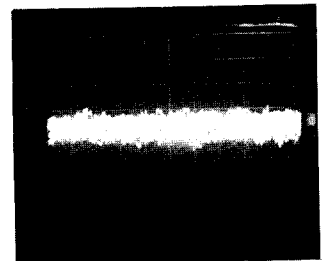
① TP103 (0.1msec/div. 50mV/div.)



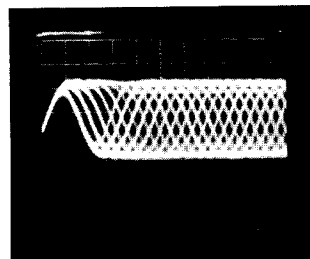
④ TP107 (0.5μsec/div. 0.1V/div.)



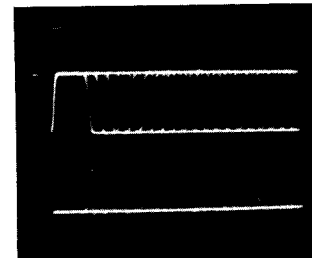
⑧ TP110 (1msec/div. 5mV/div.)



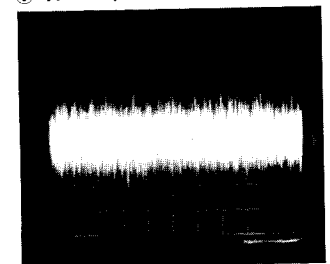
② TP104 (0.5μsec/div. 5mV/div.)



⑤ TP106 (0.5μsec/div. 0.1V/div.)



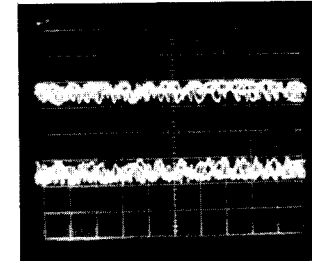
⑨ TP111 (0.5msec/div. 20mV/div.)



③ TP105 (0.5μsec/div. 5mV/div.)



⑥ TP108 (2msec/div. 20mV/div.) upper  
⑦ TP109 (2msec/div. 20mV/div.) lower



**10-2. POWER/DIGITAL P.C BOARD APSDP001AD ( J . C . A Model),  
 APSDP001BD ( E . V . B . S Model)**

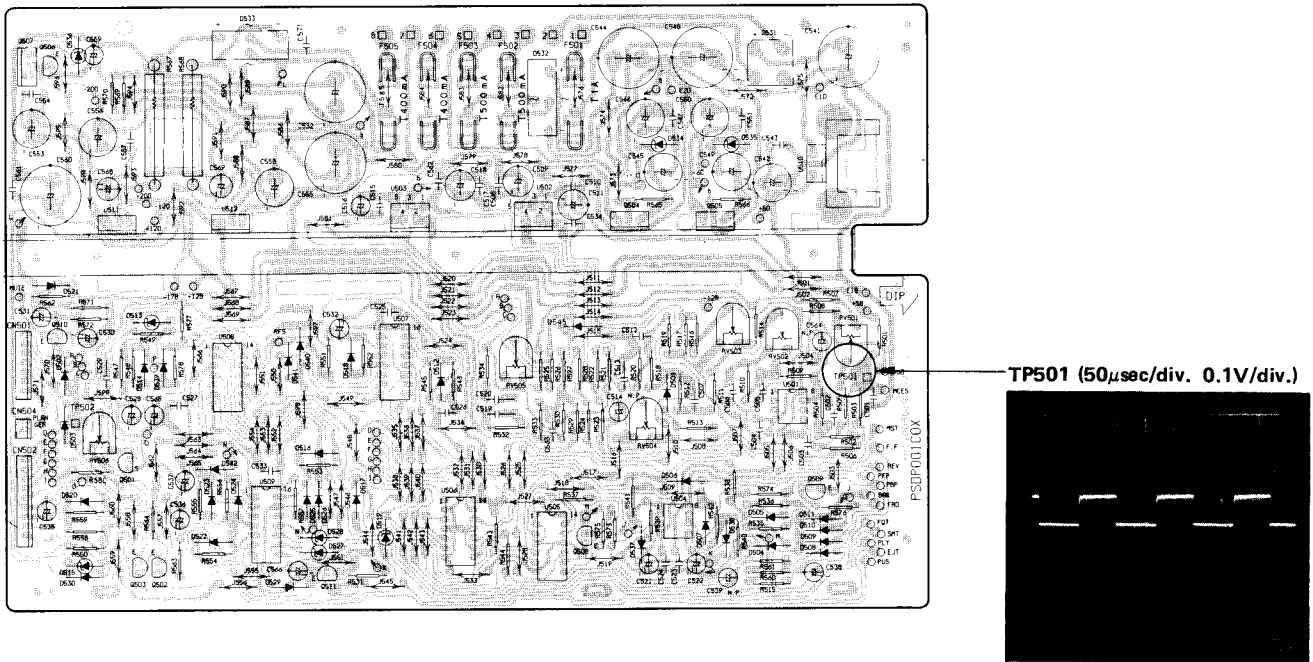


Fig. 10-2 Power/Digital P.C Board Waveform Check Point

**10-3. DECODER/SYSCON P.C BOARD APSDD001AD (See next page)**

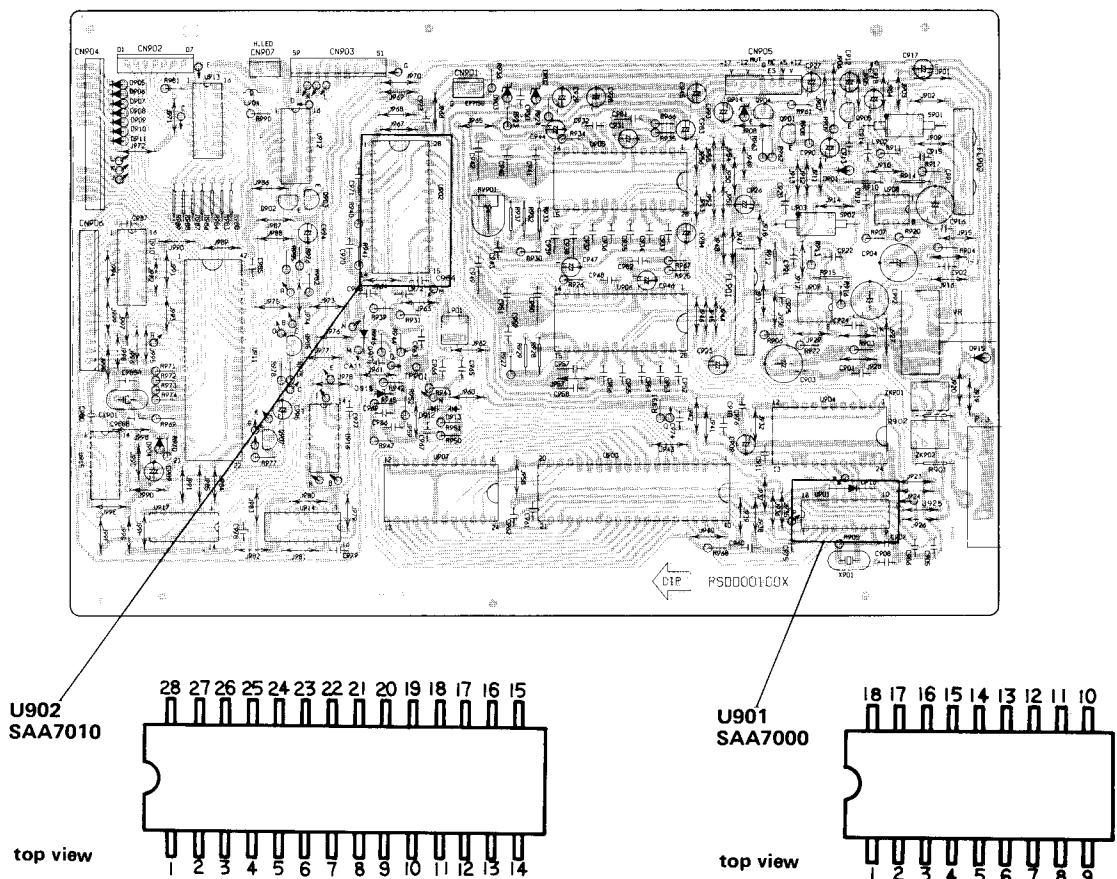
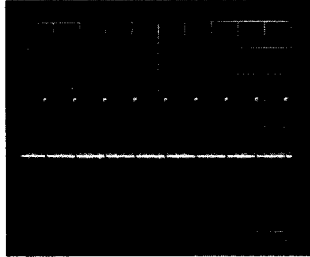


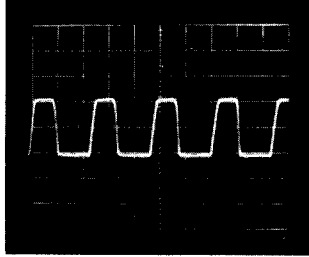
Fig. 10-3 Decoder/Syscon P.C Board Waveform Check Points

Pin 11 (5  $\mu$ sec/div. 0.2V/div.)



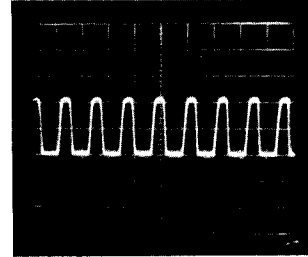
U901  
SAA7000  
(M4300)

Pin 14 (0.2  $\mu$ sec/div. 0.2V/div.)



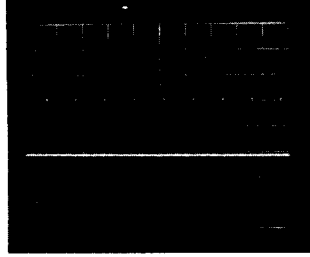
U901  
SAA7000  
(M4300)

Pin 6 (0.2  $\mu$ sec/div. 0.2V/div.)



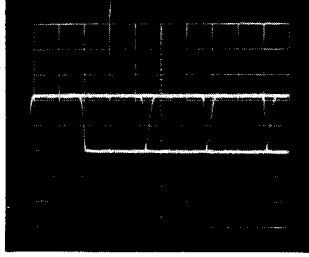
U904  
SAA7030  
(M4550)

Pin 12 (20  $\mu$ sec/div. 0.2V/div.)



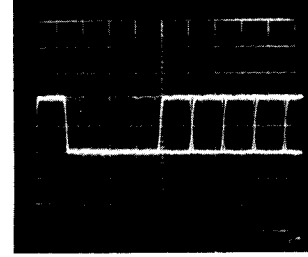
U901  
SAA7000  
(M4300)

Pin 15 (0.2  $\mu$ sec/div. 0.2V/div.)



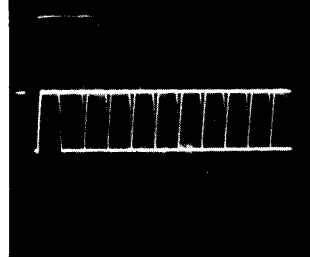
U901  
SAA7000  
(M4300)

Pin 10 (0.2  $\mu$ sec/div. 0.2V/div.)



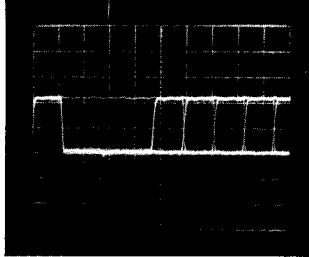
U904  
SAA7030  
(M4550)

Pin 13 (0.5  $\mu$ sec/div. 0.2V/div.)



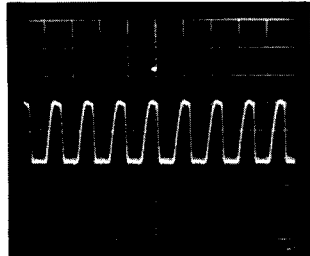
U901  
SAA7000  
(M4300)

Pin 3 (0.2  $\mu$ sec/div. 0.2V/div.)



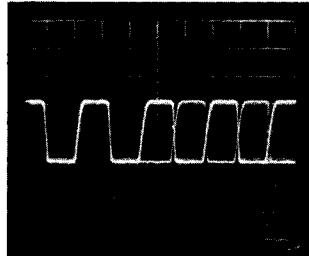
U904  
SAA7030  
(M4550)

Pin 22 (0.2  $\mu$ sec/div. 0.2V/div.)



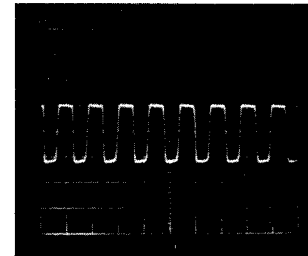
U902  
SAA7010  
(M4290A)

Pin 26 (0.2  $\mu$ sec/div. 0.2V/div.)



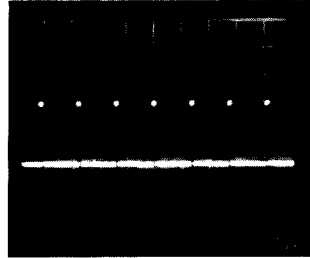
U902  
SAA7010  
(M4290A)

Pin 23 (0.2  $\mu$ sec/div. 0.2V/div.)



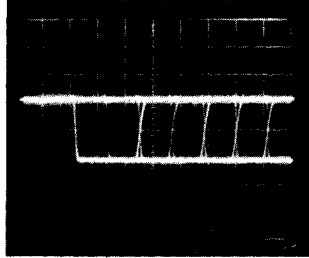
U903  
SAA7020  
(M4280)

Pin 24 (0.1  $\mu$ sec/div. 0.2V/div.)



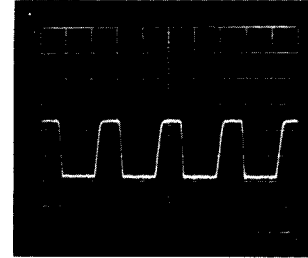
U902  
SAA7010  
(M4290A)

Pin 27 (0.2  $\mu$ sec/div. 0.2V/div.)



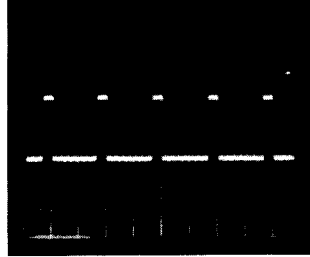
U902  
SAA7010  
(M4290A)

Pin 27 (0.2  $\mu$ sec/div. 0.2V/div.)



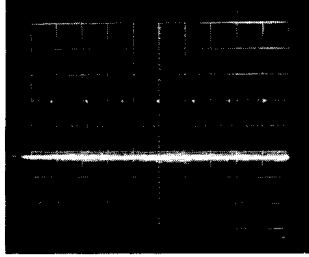
U903  
SAA7020  
(M4280)

Pin 25 (2  $\mu$ sec/div. 0.2V/div.)



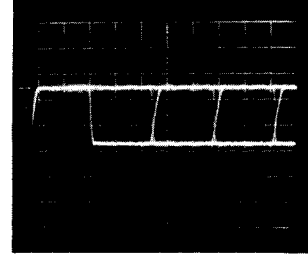
U902  
SAA7010  
(M4290A)

Pin 2 (0.1  $\mu$ sec/div. 0.2V/div.)



U903  
SAA7020  
(M4280)

Pin 37 (0.2  $\mu$ sec/div. 0.2V/div.)



U903  
SAA7020  
(M4280)

**XI. P.C BOARD TITLES AND IDENTIFICATION NUMBERS  
TITRES ET NUMÉROS D'IDENTIFICATION DE PLAQUETTES DE CIRCUITS  
TITEL UND KENNUMMERN FÜR GEDRUCKTE SCHALTUNGEN**

| P.C BOARD TITLE |           | P.C BOARD NUMBER | REMARK            |
|-----------------|-----------|------------------|-------------------|
| SERVO           | P.C BOARD | APSSA001AD       | J . E . B . V . S |
| SERVO           | P.C BOARD | APSSA001BD       | C . A             |
| DECODER/SYSCON  | P.C BOARD | APSDD001AD       |                   |
| POWER/DIGITAL   | P.C BOARD | APSDP001AD       | J . C . A         |
| POWER/DIGITAL   | P.C BOARD | APSDP001BD       | E . V . B . S     |
| KEY             | P.C BOARD | APSSW267AA       |                   |
| DISPLAY         | P.C BOARD | APSLD169AA       |                   |
| LED             | P.C BOARD | APSLD173AA       |                   |
| SEARCH          | P.C BOARD | APSZZ165AA       |                   |
| REPEAT          | P.C BOARD | APSZZ166AA       |                   |

***RTV servis Horvat***

**Kešinci, 31402 Semeljci**

**Tel : 031-856-637**

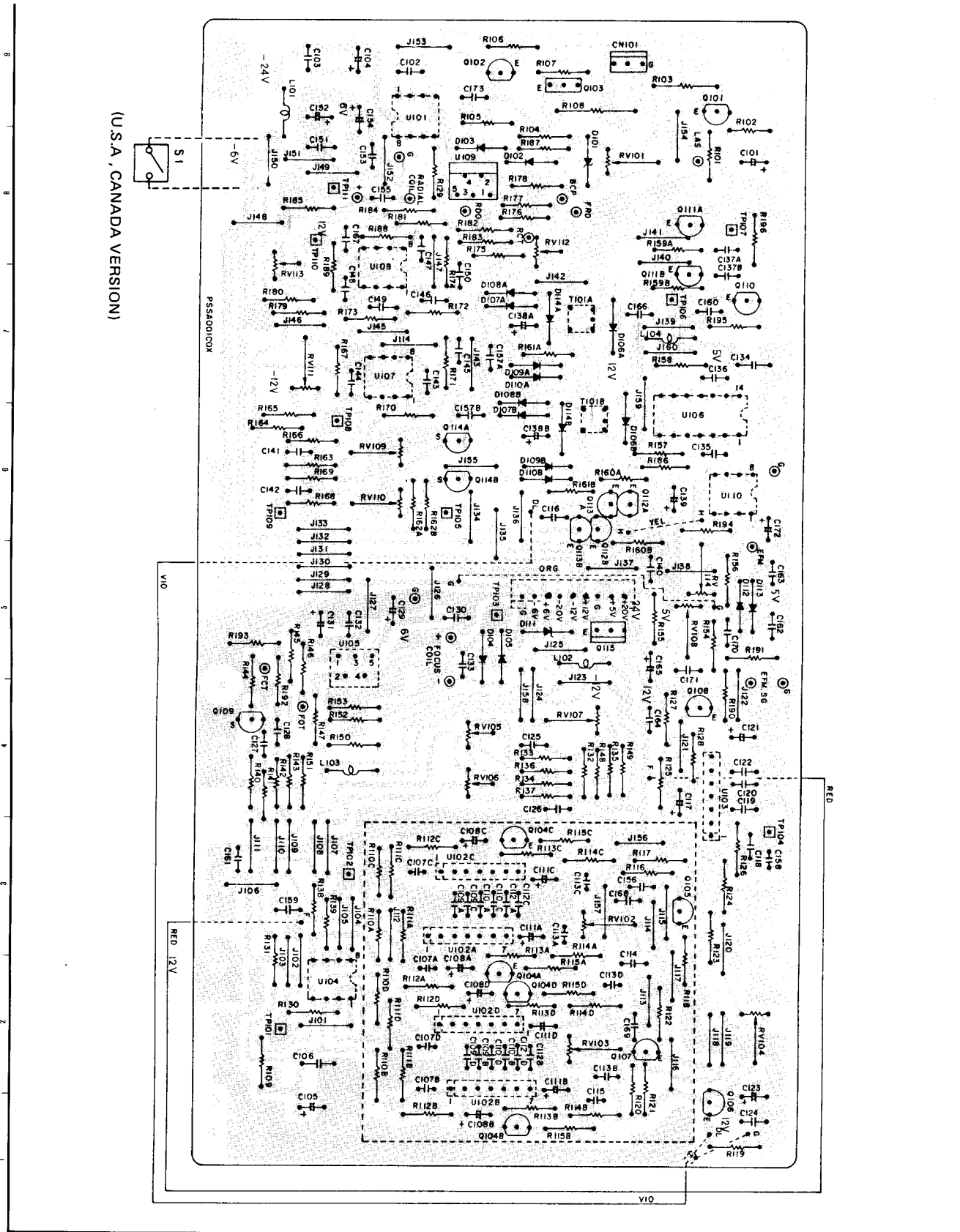
**Tel / fax : 031-856-139**

**Mob : 098-788-319**

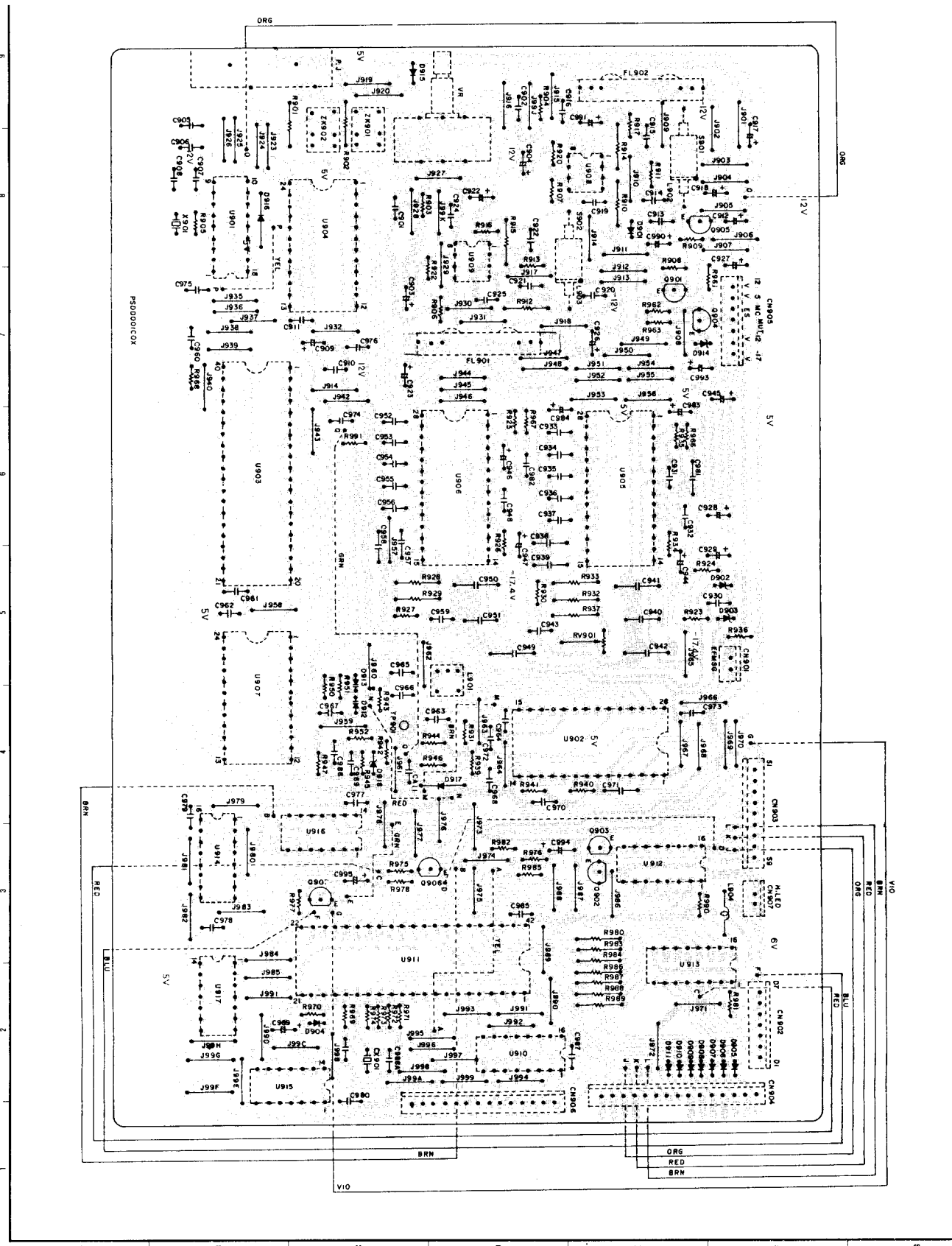
**[rty-servis-horvat@os.tel.hr](mailto:rty-servis-horvat@os.tel.hr)**

# XII. COMPOSITION VARIOUS P.C BOARDS COMPOSITION DE DIVERSE PLAQUETTES DE CIRCUITS IMPRIMÉS ZUSAMMENSTELLUNG VON VERSCHIEDENEN GEDRUCKTEN SCHALTUNGEN

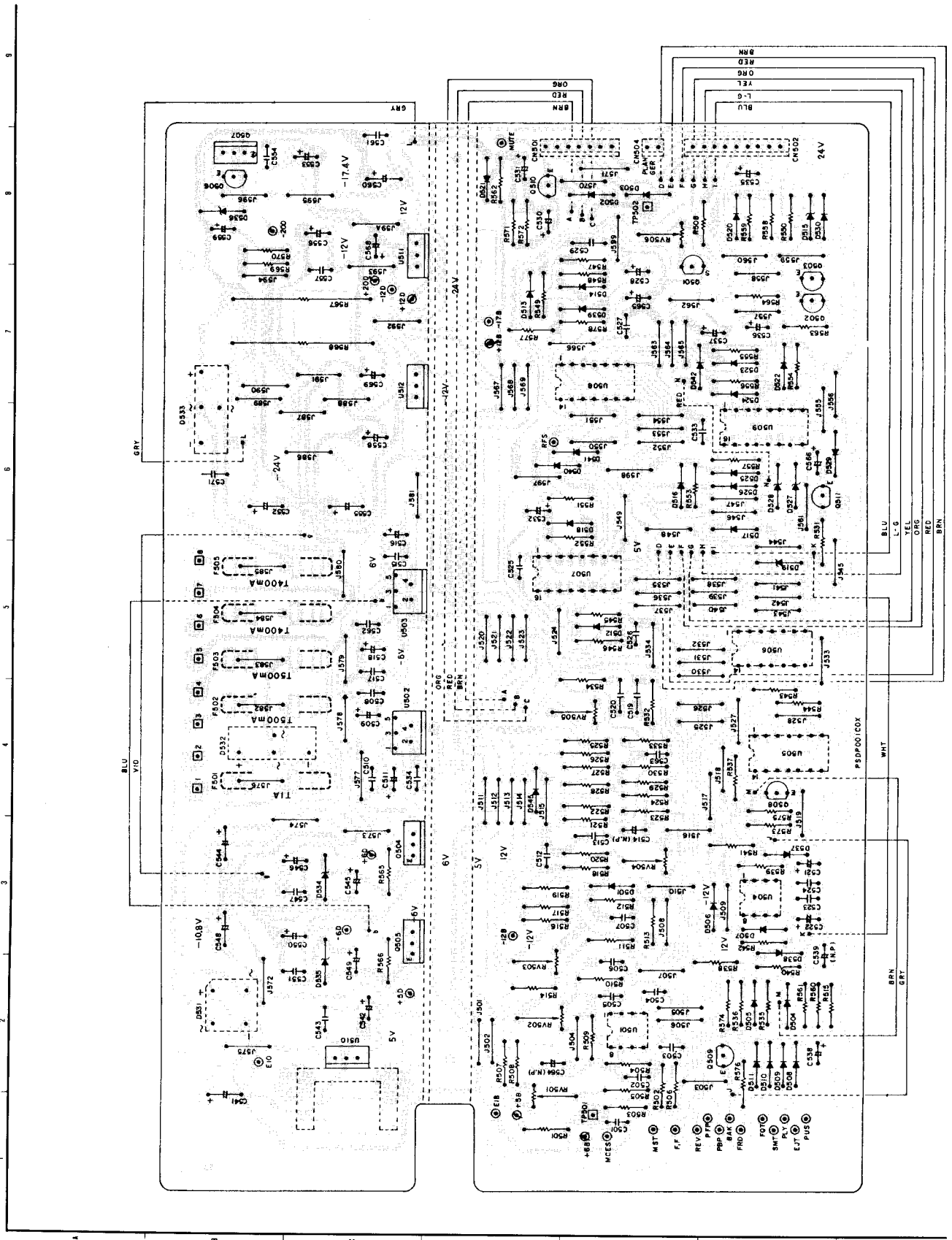
## 12-1. SERVO P.C BOARD APSSA001AD (J . E . B . V . S .), APSSA001BD (C . A)



12-2. DECODER/SYSCON P.C BOARD APSSD001AD

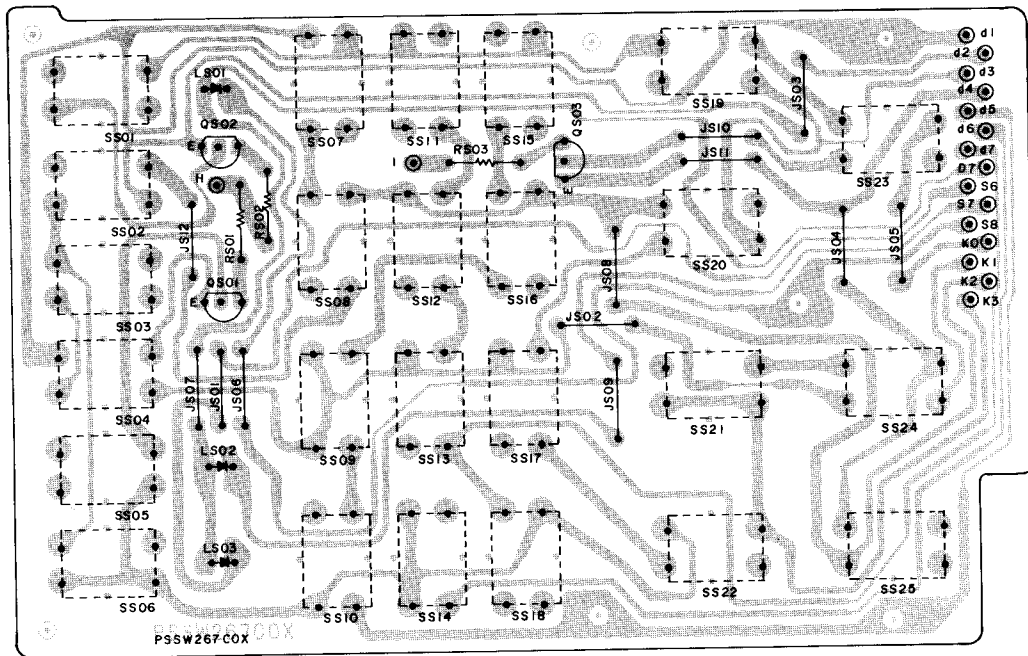


12-3. POWER/DIGITAL P.C BOARD APSPD001AD (J . C . A), APSPD001BD (E . V . B . S)



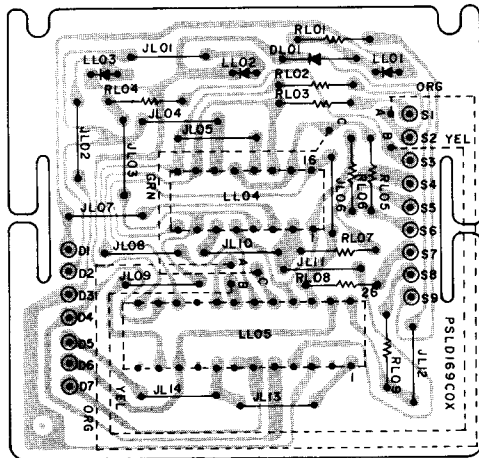


12-4. KEY P.C BOARD APSSW267AA

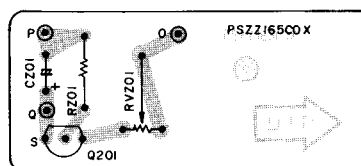


12-5. OTHER P.C BOARDS

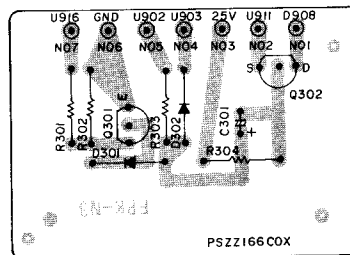
DISPLAY P.C BOARD APSLD169AA



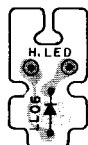
SEARCH P.C BOARD APSZZ165AA



REPEAT P.C BOARD APSZZ166AA



LED P.C BOARD APSLD173AA



---

SECTION 2

**PARTS LIST**

TABLE OF CONTENTS

|  |    |
|--|----|
| 1. DAD MECHA BLOCK .....               | 49 |
| 2. LOADING BLOCK .....                 | 49 |
| 3. DECODER/SYSCON P.C BOARD BLOCK..... | 50 |
| 4. POWER/DIGITAL P.C BOARD BLOCK.....  | 50 |
| 5. SERVO P.C BOARD BLOCK.....          | 50 |
| 6. DISPLAY/KEY P.C BOARD BLOCK.....    | 50 |
| 7. FINAL ASSEMBLY BLOCK.....           | 51 |
| INDEX .....                            | 52 |

Please refer to COMMON LIST FOR SERVICE PARTS, for Resistor and Capacitor which are not listed in this list.

## ATTENTION

1. When placing an order for parts, be sure to list the parts no., model no., and description. There are instances in which if any of this information is omitted, parts cannot be shipped or the wrong parts will be delivered.
2. Please be careful not to make a mistake in the parts no. If the parts no. is in error, a part different from the one ordered may be delivered.
3. Because parts number and parts unit supply in the Preliminary Parts List may be partially changed, please use this parts list for all future reference.

## HOW TO USE THIS PARTS LIST

1. This Parts List shows the parts that are considered necessary for repairs. Other parts, such as resistors and capacitors, are shown in the "Common List for Service Parts". Select and order such parts from the "Common List for Service Parts".
2. The Recommended Spare Parts shows those parts in the Parts List which are considered particularly important for service.
3. Parts not shown in the Parts List and "Common List for Service Parts" will not be supplied in principle.
4. How to read list
  - a) Mechanism Block
  - b) P.C Board Block

### 2. HEAD BASE BLOCK

| REF. NO. | PARTS NO.     | DESCRIPTION             |
|----------|---------------|-------------------------|
| 2-1x     | BH-T2023A320A | HEAD BASE BLOCK GX-F66R |
| 2-2      | HP-H2206A010A | HEAD R/P PR4-8FU C      |
| 2-3      | ZS-477876     | PAN20x03STL CMT         |
| 2-4      | ZS-536488     | BID20x08STL CMT         |
| 2-5      | ZG-402895     | CS ANGLE ADJUST SPRING  |

SP (Service Parts) Classification  
 A small "x" indicates the inability to show that particular part in the Photo or Illustration.  
 This number corresponds with the individual parts index number in that figure  
 This number corresponds with the Figure Number

### 6. SYS. CON. P.C BOARD BLOCK

| REF. NO.  | PARTS NO.     | DESCRIPTION                     |
|-----------|---------------|---------------------------------|
| 6-1       | BA-T2034A070A | PC SYS CON BLK GX-F44R          |
| 6-IC1     | EI-324536     | IC HD14049BP                    |
| 6-IC2     | EI-336801     | IC MB8841-564M                  |
| 6-IC3     | EI-331661     | IC SN7405N                      |
| 6-IC4     | EI-336725     | IC M54527P                      |
| 6-TR1to4  | ET-200985     | TR 2SC2603 F,G                  |
| 6-TR5to28 | ET-554657     | TR 2SA733A P,Q                  |
| 6-D1      | ED-318292     | D SILICON H 1S2473T-77 T26      |
| 6-D2to4   | ED-308952     | D GERMA V 1K34A-LR F07          |
| 6-D5to10  | ED-318292     | D SILICON H 1S2473T-77 T26      |
| 6-X1      | EI-318384     | OSC X'TAL NC-18C<br>3.579545MHZ |

SP (Service Parts) Classification  
 This reference numbers corresponds with symbol numbers of Schematic Diagrams.

5. Both the kind of part and installation position can be determined by the Parts Number. To determine where a parts number is listed, utilize Parts Index at end of Parts List. It is necessary first of all to find the Parts Number. This can be accomplished by using the Reference Number listed at right of parts number in the Parts Index.

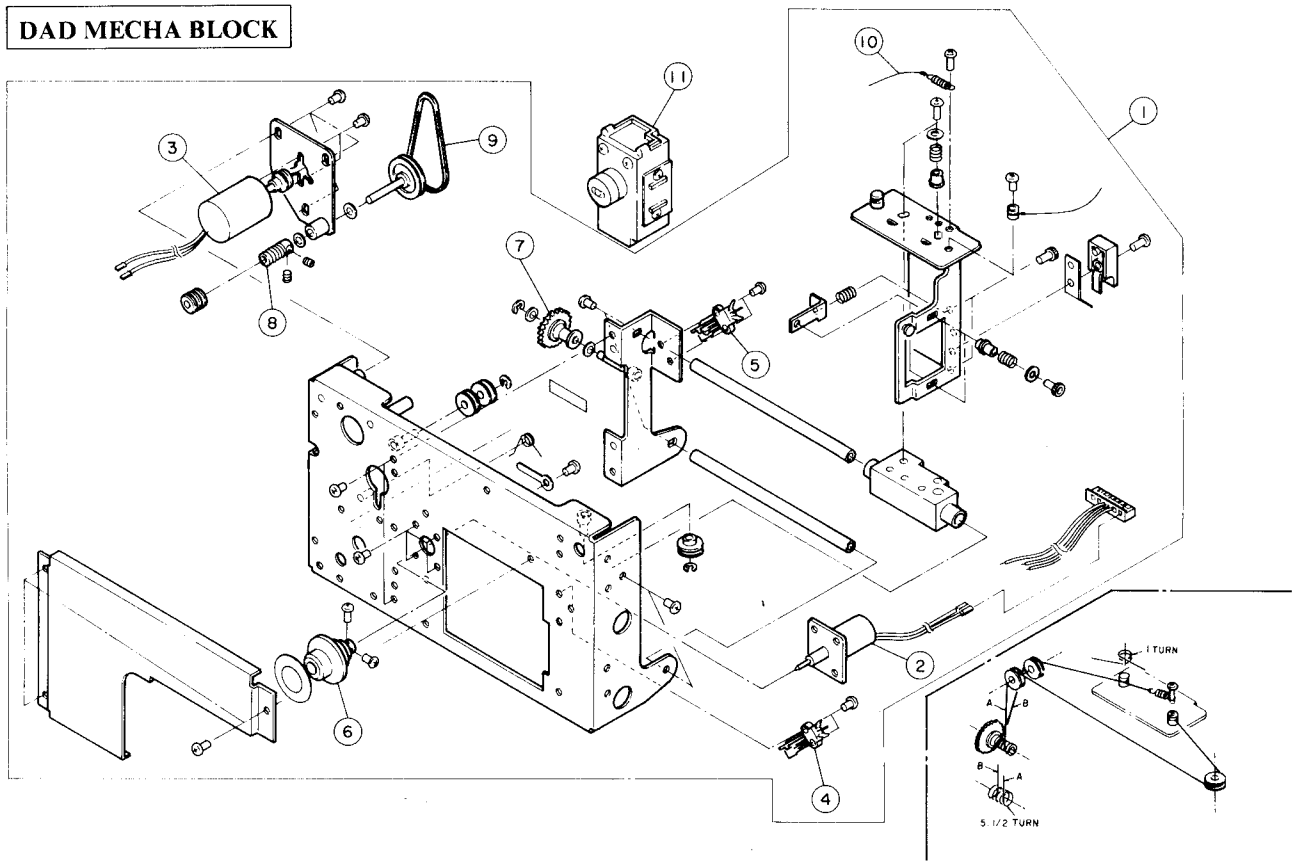
## WARNING

△ INDICATES SAFETY CRITICAL COMPONENTS. FOR CONTINUED SAFETY, REPLACE SAFETY CRITICAL COMPONENTS ONLY WITH MANUFACTURER'S RECOMMENDED PARTS.

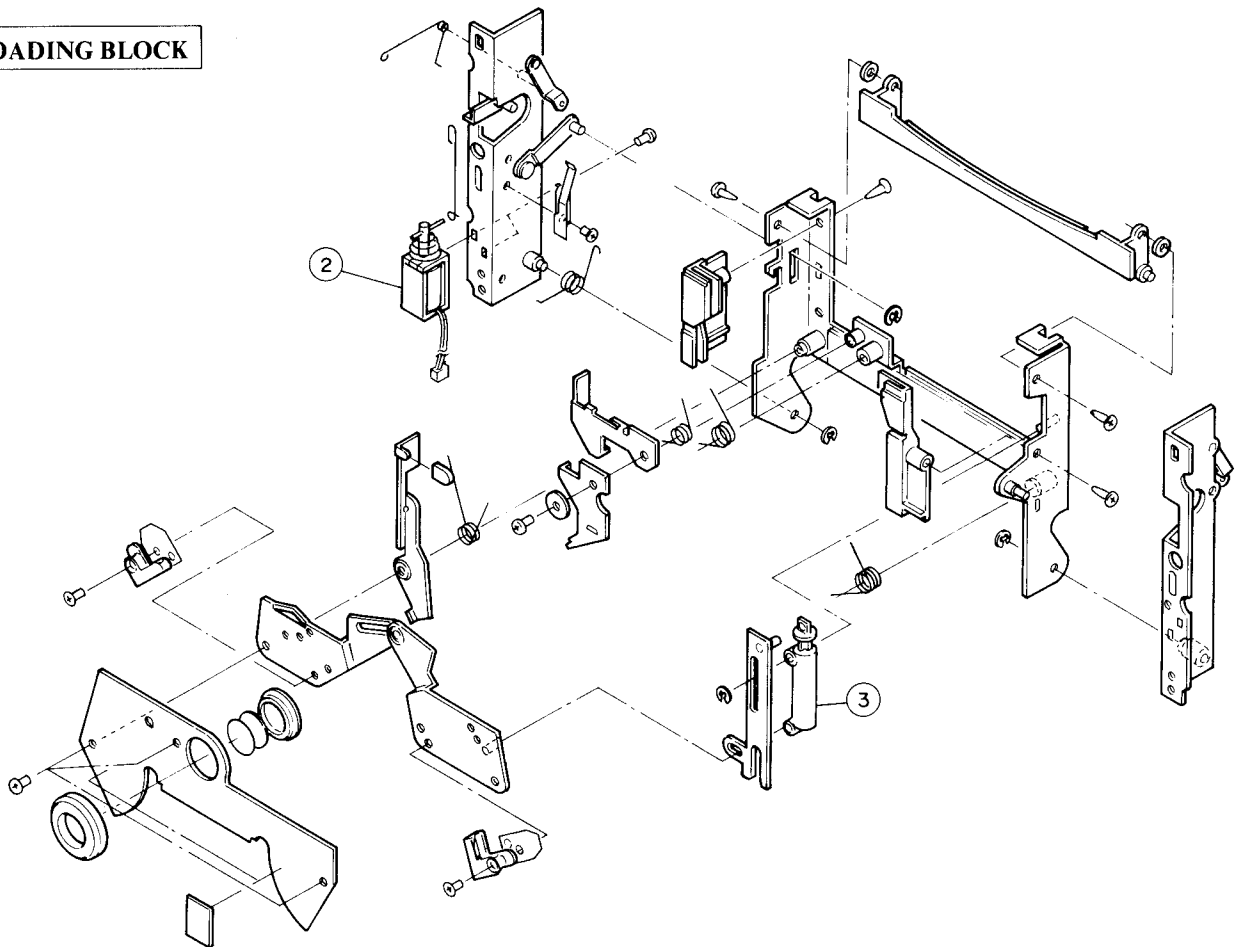
## AVERTISSEMENT

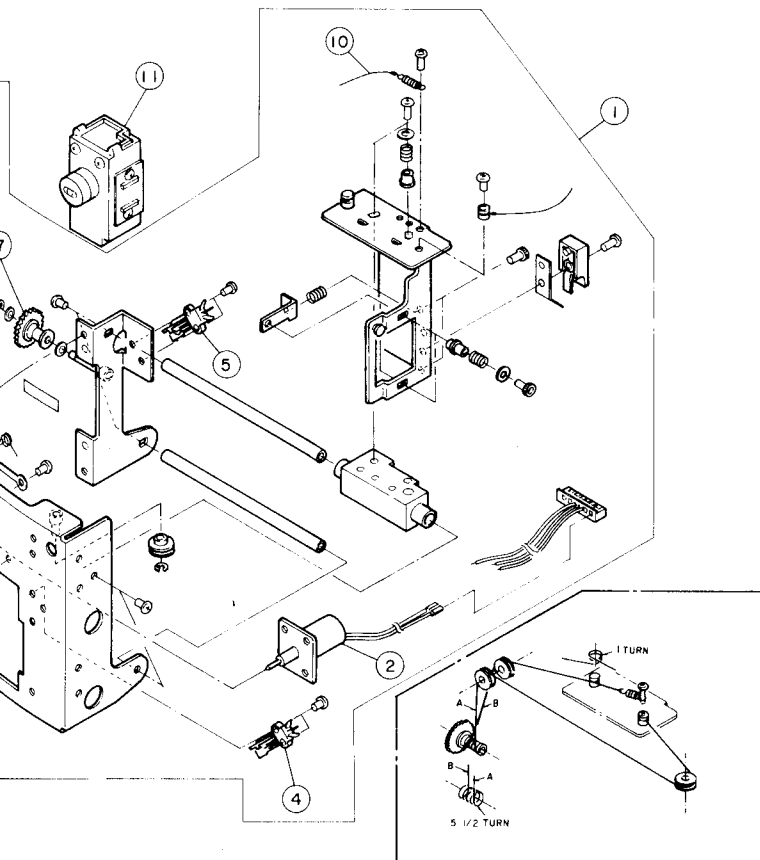
△ IL INDIQUE LES COMPOSANTS CRITIQUES DE SÉCURITÉ. POUR MAINTENIR LE DEGRÉ DE SÉCURITÉ DE L'APPAREIL, NE REMPLACER QUE DES PIÈCES RECOMMANDÉES PAR LE FABRICANT

**DAD MECHA BLOCK**



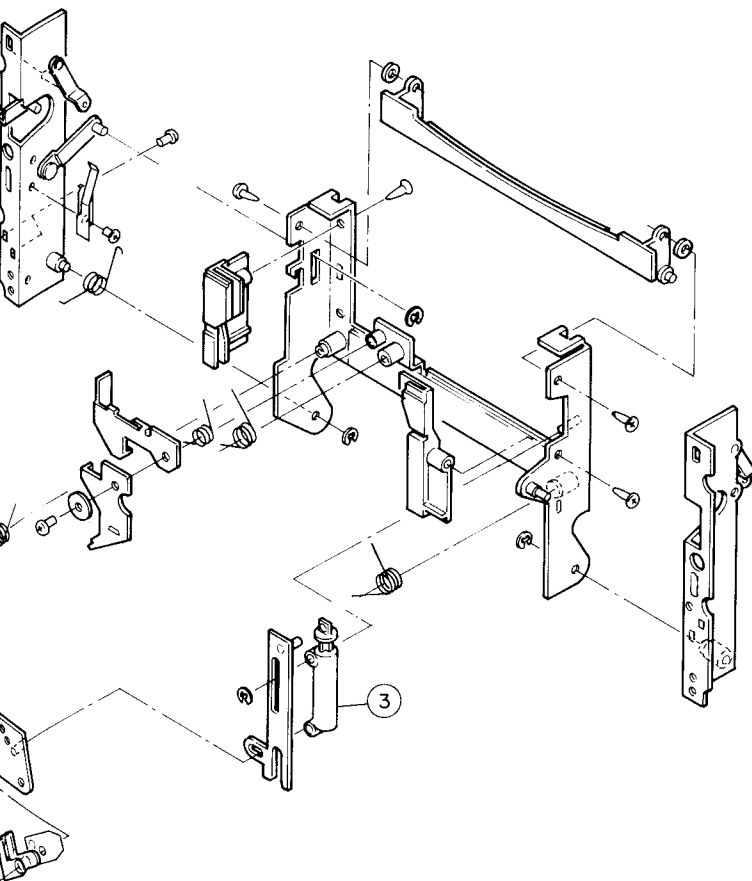
**LOADING BLOCK**





## 1. DAD MECHA BLOCK

| REF. NO. | PARTS NO. | DESCRIPTION                        |
|----------|-----------|------------------------------------|
| 1-1      | BB-749463 | DAD MECHA BLK CD-D1                |
| 1-2      | BM-749515 | MOTOR DISC CCL-1843A-01<br>(M1001) |
| 1-3      | BM-749516 | MOTOR RADIAL LS22-AA<br>(M1002)    |
| 1-4      | ES-749517 | SW SCHELTON (LIMIT) (S1001)        |
| 1-5      | ES-749517 | SW SCHELTON (LIMIT) (S1002)        |
| 1-6      | MZ-749518 | TABLE DISC                         |
| 1-7      | MZ-749519 | GEAR (A)                           |
| 1-8      | MZ-749520 | GEAR (B)                           |
| 1-9      | MB-749521 | BELT                               |
| 1-10     | MD-749522 | DIAL CORD                          |
| 1-11     | BO-749473 | LASER HEAD                         |



## 2. LOADING BLOCK

| REF. NO. | PARTS NO. | DESCRIPTION               |
|----------|-----------|---------------------------|
| 2-1      | BB-749597 | LOADING BLK               |
| 2-2      | EP-749599 | PLUNGER SOLENOID P120ZB-1 |
| 2-3      | MZ-749549 | DUMPER AIR                |

### 3. DECODER/SYSCON P.C BOARD BLOCK

| REF. NO.                        | PARTS NO. | DESCRIPTION                      |
|---------------------------------|-----------|----------------------------------|
| 3-1                             | BA-749464 | PC DECODER/SYSCON BLK            |
| <b>DECODER/SYSCON P.C BOARD</b> |           |                                  |
| 3-U901                          | EI-749534 | IC SAA 7000 (M4300)              |
| 3-U902                          | EI-749535 | IC SAA 7010 (M4290A)             |
| 3-U903                          | EI-749536 | IC SAA 7020 (M4280)              |
| 3-U904                          | EI-749537 | IC SAA 7030 (M4550)              |
| 3-U905, 906                     | EI-749538 | IC TDA1540                       |
| 3-U907                          | EI-749539 | IC TMN2016P                      |
| 3-U908, 909                     | EI-749540 | IC TL072CP                       |
| 3-U910                          | EI-705079 | IC TC4028BP                      |
| 3-U911                          | EI-749541 | IC MB88401 CYB                   |
| 3-U912                          | EI-332287 | IC M54517P                       |
| 3-U913                          | EI-749542 | IC BA618                         |
| 3-U914                          | EI-749543 | IC M74LS193P                     |
| 3-U915                          | EI-749544 | IC SN74LS74AN                    |
| 3-U916                          | EI-749545 | IC AN74LS04N                     |
| 3-U917                          | EI-310046 | IC SN74LS11N                     |
| 3-Q901                          | ET-307234 | TR 2SC1815 Y,GR                  |
| 3-Q902                          | ET-308867 | TR 2SA1015 O,Y,GR                |
| 3-Q903                          | EI-749513 | TR 2SC2062 C                     |
| 3-Q904                          | ET-307234 | TR 2SC1815 Y,GR                  |
| 3-Q905                          | ET-308867 | TR 2SA1015 O,Y,GR                |
| 3-Q906, 907                     | ET-307234 | TR 2SC1815 Y,GR                  |
| 3-D901                          | ED-325000 | D SILICON MA150                  |
| 3-D902                          | ED-324458 | D ZENER H RD5.1E B               |
| 3-D903                          | ED-749507 | D ZENER H RD2.4E C               |
| 3-D904, 905                     | ED-325000 | D SILICON MA150                  |
| 3-D912, 913                     | ED-749508 | D VARACTOR SVC321SP              |
| 3-D914                          | ED-324458 | D ZENER H RD5.1E B               |
| 3-D915, 916                     | ED-325000 | D SILICON MA150                  |
| 3-D917                          | ED-749509 | D SILICON EMIZ                   |
| 3-S901, 902                     | ES-749533 | SW LEAD FDR-4H                   |
| 3-VR901                         | EV-749546 | VR ROTARY V16L4G3N20KC38<br>102B |
| 3-RV901                         | EV-749532 | R S-FIX V V8K4-11 201B           |
| 3-ZK901, 902                    | EQ-749548 | RELAY FBR22 D12-P                |
| 3-L901                          | EO-749511 | COIL VCO                         |
| 3-L902, 903                     | EO-749512 | COIL LEAD                        |
| 3-L904                          | EO-708722 | COIL FIX 10μH                    |
| 3-FL901, 902                    | EH-749510 | FILTER LC LP F120B               |
| 3-CX901                         | EI-749531 | OSC CE KBR-4.4M                  |
| 3-X901                          | EI-749547 | OSC X TAL 4.2336MHz              |

#### REPEAT P.C BOARD

|        |           |                   |
|--------|-----------|-------------------|
| 3-Q301 | ET-398788 | TR 2SC945L R      |
| 3-Q302 | ET-669633 | TR FET 2SK68A L,M |
| 3-D301 | ED-325000 | D SILICON MA150   |
| 3-D302 | ED-325000 | D SILICON MA150   |

### 4. POWER/DIGITAL P.C BOARD BLOCK

| REF. NO. | PARTS NO. | DESCRIPTION                       |
|----------|-----------|-----------------------------------|
| 4-1J     | BA-749468 | PC POWER/DIGITAL BLK<br>(J,C,A)   |
| 4-1E     | BA-749571 | PC POWER/DIGITAL BLK<br>(E,V,B,S) |

#### POWER/DIGITAL P.C BOARD

|             |           |                  |
|-------------|-----------|------------------|
| 4-U501      | EI-213390 | IC NJM4558D      |
| 4-U502, 503 | EI-749558 | IC μPC1238V      |
| 4-U504      | EI-213390 | IC NJM4558D      |
| 4-U505, 506 | EI-310036 | IC TC4066BP      |
| 4-U507      | EI-749559 | IC TC4009BP      |
| 4-U508      | EI-304657 | IC TC4011BP      |
| 4-U509      | EI-749559 | IC TC4009BP      |
| 4-U510      | EI-749560 | IC μA7805UC      |
| 4-U511      | EI-749561 | IC μA7812UC      |
| 4-U512      | EI-749612 | IC μA7912UC      |
| 4-Q501      | ET-702234 | TR FET 2SK246 GR |
| 4-Q502      | ET-399846 | TR 2SC945L Q     |

|               |           |                           |
|---------------|-----------|---------------------------|
| 4-Q503        | ET-749553 | △ TR 2SC1383 Q,R          |
| 4-Q504        | ET-323366 | TR 2SD313HP D,E,F         |
| 4-Q505        | ET-749554 | TR 2SA768 O               |
| 4-Q506        | ET-308867 | TR 2SA1015 O,Y,GR         |
| 4-Q507        | ET-749554 | TR 2SA768 O               |
| 4-Q508, 509   | ET-399846 | TR 2SC945L Q              |
| 4-Q510        | ET-308867 | TR 2SA1015 O,Y,GR         |
| 4-Q511        | ET-703099 | TR 2SC828 S               |
| 4-D501        | ED-325000 | D SILICON MA150           |
| 4-D502, 503   | ED-749509 | D SILICON EMIZ            |
| 4-D504 to 512 | ED-325000 | D SILICON MA150           |
| 4-D513        | ED-324458 | D ZENER H RD5.1E B        |
| 4-D514        | ED-325000 | D SILICON MA150           |
| 4-D515        | ED-324458 | D ZENER H RD5.1E B        |
| 4-D516 to 518 | ED-325000 | D SILICON MA150           |
| 4-D519        | ED-324458 | D ZENER H RD5.1E B        |
| 4-D520        | ED-325000 | D SILICON MA150           |
| 4-D521        | ED-325000 | △ D SILICON MA150         |
| 4-D522 to 526 | ED-325000 | D SILICON MA150           |
| 4-D527, 528   | ED-741594 | D ZENER H RD5.1E B        |
| 4-D529        | ED-325000 | D SILICON MA150           |
| 4-D530        | ED-325000 | △ D SILICON MA150         |
| 4-D531        | ED-749550 | D SILICON S2VB            |
| 4-D532, 533   | ED-749551 | D SILICON S1RBA           |
| 4-D534, 535   | ED-707114 | D ZENER H RD6.8E B2       |
| 4-D536        | ED-749552 | D ZENER MA1180M           |
| 4-D537 to 542 | ED-325000 | D SILICON MA150           |
| 4-RV501       | EV-749555 | R S-FIX V V8K4-11 202B    |
| 4-RV502       | EV-749556 | R S-FIX V V8K4-11 103B    |
| 4-RV503       | EV-749557 | R S-FIX V V8K4-11 502B    |
| 4-RV504, 505  | EV-749556 | R S-FIX V V8K4-11 103B    |
| 4-RV506       | EV-749557 | R S-FIX V V8K4-11 502B    |
| 4-F501        | EF-623103 | △ FUSE SEMKO T 250V 1.00A |
| 4-F502, 503   | EF-593706 | △ FUSE SEMKO T 250V 0.50A |
| 4-F504, 505   | EF-668474 | △ FUSE SEMKO T 250V 0.40A |

#### SEARCH P.C BOARD

|         |           |                        |
|---------|-----------|------------------------|
| 4-QZ01  | ET-702234 | TR FET 2SK246 GR       |
| 4-RVZ01 | EV-749557 | R S-FIX V V8K4-11 502B |

### 5. SERVO P.C BOARD BLOCK

| REF. NO.      | PARTS NO. | DESCRIPTION              |
|---------------|-----------|--------------------------|
| 5-1J          | BA-749469 | PC SERVO BLK (J,E,B,V,S) |
| 5-1C          | BA-749572 | PC SERVO BLK (C,A)       |
| 5-U101        | EI-213390 | IC NJM4558D              |
| 5-U102A       | EI-749569 | IC TA7302P               |
| 5-U102B       | EI-749569 | IC TA7302P               |
| 5-U102C       | EI-749569 | IC TA7302P               |
| 5-U102D       | EI-749569 | IC TA7302P               |
| 5-U103        | EI-749569 | IC TA7302P               |
| 5-U104        | EI-213390 | IC NJM4558D              |
| 5-U105        | EI-749558 | IC μPC1238V              |
| 5-U106        | EI-749545 | IC AN74LS04N             |
| 5-U107, 108   | EI-213390 | IC NJM4558D              |
| 5-U109        | EI-749558 | IC μPC1238V              |
| 5-U110        | EI-749603 | IC LA1222                |
| 5-Q101        | ET-308867 | TR 2SA1015 O,Y,GR        |
| 5-Q102        | ET-350335 | TR 2SA564 Q              |
| 5-Q103        | EI-749564 | TR 2SK121                |
| 5-Q104A       | ET-398788 | TR 2SC945L R             |
| 5-Q104B       | ET-398788 | TR 2SC945L R             |
| 5-Q104C       | ET-398788 | TR 2SC945L R             |
| 5-Q104D       | ET-398788 | TR 2SC945L R             |
| 5-Q105 to 108 | ET-398788 | TR 2SC945L R             |
| 5-Q109        | ET-702234 | TR FET 2SK246 GR         |
| 5-Q110        | ET-308867 | TR 2SA1015 O,Y,GR        |
| 5-Q111A       | ET-307234 | TR 2SC1815 Y,GR          |
| 5-Q111B       | ET-307234 | TR 2SC1815 Y,GR          |
| 5-Q112A       | ET-307234 | TR 2SC1815 Y,GR          |
| 5-Q112B       | ET-307234 | TR 2SC1815 Y,GR          |
| 5-Q113A       | ET-308867 | TR 2SA1015 O,Y,GR        |
| 5-Q113B       | ET-308867 | TR 2SA1015 O,Y,GR        |
| 5-Q114A       | ET-749565 | TR 2SK121                |
| 5-Q114B       | ET-749565 | TR 2SK121                |

5-Q115  
5-D101  
5-D102, 1  
5-D104, 1  
5-D106A  
5-D106B  
5-D107A  
5-D107B  
5-D108A  
5-D108B  
5-D109A  
5-D109B  
5-D110A  
5-D110B  
5-D111  
5-D112, 1  
5-D114A  
5-D114B  
5-RV101  
5-RV105,  
5-RV107  
5-RV108  
5-RV109  
5-RV112,  
5-RV114  
5-L101 to  
5-T101A  
5-T101B

### 6. DIS

REF.  
NO.  
6-DL01  
6-LL01  
6-LL02  
6-LL03  
6-LL04  
6-LL05

6-LL06

6-QS01  
6-QS02, 3  
6-LS01 to  
6-SS01 to  
6-SS19 to

|               |           |                           |
|---------------|-----------|---------------------------|
| 4-Q503        | ET-749553 | △ TR 2SC1383 Q,R          |
| 4-Q504        | ET-323366 | TR 2SD313HP D,E,F         |
| 4-Q505        | ET-749554 | TR 2SA768 O               |
| 4-Q506        | ET-308867 | TR 2SA1015 O,Y,GR         |
| 4-Q507        | ET-749554 | TR 2SA768 O               |
| 4-Q508, 509   | ET-399846 | TR 2SC945L Q              |
| 4-Q510        | ET-308867 | TR 2SA1015 O,Y,GR         |
| 4-Q511        | ET-703099 | TR 2SC828 S               |
| 4-D501        | ED-325000 | D SILICON MA150           |
| 4-D502, 503   | ED-749509 | D SILICON EMIZ            |
| 4-D504 to 512 | ED-325000 | D SILICON MA150           |
| 4-D513        | ED-324458 | D ZENER H RD5.1E B        |
| 4-D514        | ED-325000 | D SILICON MA150           |
| 4-D515        | ED-324458 | D ZENER H RD5.1E B        |
| 4-D516 to 518 | ED-325000 | D SILICON MA150           |
| 4-D519        | ED-324458 | D ZENER H RD5.1E B        |
| 4-D520        | ED-325000 | D SILICON MA150           |
| 4-D521        | ED-325000 | △ D SILICON MA150         |
| 4-D522 to 526 | ED-325000 | D SILICON MA150           |
| 4-D527, 528   | ED-741594 | D ZENER H RD5.1E B        |
| 4-D529        | ED-325000 | D SILICON MA150           |
| 4-D530        | ED-325000 | △ D SILICON MA150         |
| 4-D531        | ED-749550 | D SILICON S2VB            |
| 4-D532, 533   | ED-749551 | D SILICON S1RBA           |
| 4-D534, 535   | ED-707114 | D ZENER H RD6.8E B2       |
| 4-D536        | ED-749552 | D ZENER MA1180M           |
| 4-D537 to 542 | ED-325000 | D SILICON MA150           |
| 4-RV501       | EV-749555 | R S-FIX V V8K4-11 202B    |
| 4-RV502       | EV-749556 | R S-FIX V V8K4-11 103B    |
| 4-RV503       | EV-749557 | R S-FIX V V8K4-11 502B    |
| 4-RV504, 505  | EV-749556 | R S-FIX V V8K4-11 103B    |
| 4-RV506       | EV-749557 | R S-FIX V V8K4-11 502B    |
| 4-F501        | EF-623103 | △ FUSE SEMKO T 250V 1.00A |
| 4-F502, 503   | EF-593706 | △ FUSE SEMKO T 250V 0.50A |
| 4-F504, 505   | EF-668474 | △ FUSE SEMKO T 250V 0.40A |

#### SEARCH P.C BOARD

|         |           |                        |
|---------|-----------|------------------------|
| 4-QZ01  | ET-702234 | TR FET 2SK246 GR       |
| 4-RVZ01 | EV-749557 | R S-FIX V V8K4-11 502B |

#### 5. SERVO P.C BOARD BLOCK

| REF. NO.      | PARTS NO. | DESCRIPTION              |
|---------------|-----------|--------------------------|
| 5-1J          | BA-749469 | PC SERVO BLK (J,E,B,V,S) |
| 5-1C          | BA-749572 | PC SERVO BLK (C,A)       |
| 5-U101        | EI-213390 | IC NJM4558D              |
| 5-U102A       | EI-749569 | IC TA7302P               |
| 5-U102B       | EI-749569 | IC TA7302P               |
| 5-U102C       | EI-749569 | IC TA7302P               |
| 5-U102D       | EI-749569 | IC TA7302P               |
| 5-U103        | EI-749569 | IC TA7302P               |
| 5-U104        | EI-213390 | IC NJM4558D              |
| 5-U105        | EI-749558 | IC μPC1238V              |
| 5-U106        | EI-749545 | IC AN74LS04N             |
| 5-U107, 108   | EI-213390 | IC NJM4558D              |
| 5-U109        | EI-749558 | IC μPC1238V              |
| 5-U110        | EI-749603 | IC LA1222                |
| 5-Q101        | ET-308867 | TR 2SA1015 O,Y,GR        |
| 5-Q102        | ET-350335 | TR 2SA564 Q              |
| 5-Q103        | EI-749564 | TR 2SK121                |
| 5-Q104A       | ET-398788 | TR 2SC945L R             |
| 5-Q104B       | ET-398788 | TR 2SC945L R             |
| 5-Q104C       | ET-398788 | TR 2SC945L R             |
| 5-Q104D       | ET-398788 | TR 2SC945L R             |
| 5-Q105 to 108 | ET-398788 | TR 2SC945L R             |
| 5-Q109        | ET-702234 | TR FET 2SK246 GR         |
| 5-Q110        | ET-308867 | TR 2SA1015 O,Y,GR        |
| 5-Q111A       | ET-307234 | TR 2SC1815 Y,GR          |
| 5-Q111B       | ET-307234 | TR 2SC1815 Y,GR          |
| 5-Q112A       | ET-307234 | TR 2SC1815 Y,GR          |
| 5-Q112B       | ET-307234 | TR 2SC1815 Y,GR          |
| 5-Q113A       | ET-308867 | TR 2SA1015 O,Y,GR        |
| 5-Q113B       | ET-308867 | TR 2SA1015 O,Y,GR        |
| 5-Q114A       | ET-749565 | TR 2SK121                |
| 5-Q114B       | ET-749565 | TR 2SK121                |

|                |           |                        |
|----------------|-----------|------------------------|
| 5-Q115         | ET-452531 | TR 2SD313HP E,F        |
| 5-D101         | ED-749562 | D ZENER MA1082M        |
| 5-D102, 103    | ED-325000 | D SILICON MA150        |
| 5-D104, 105    | ED-749509 | D SILICON EMIZ         |
| 5-D106A        | ED-325000 | D SILICON MA150        |
| 5-D106B        | ED-325000 | D SILICON MA150        |
| 5-D107A        | ED-325000 | D SILICON MA150        |
| 5-D107B        | ED-325000 | D SILICON MA150        |
| 5-D108A        | ED-325000 | D SILICON MA150        |
| 5-D108B        | ED-325000 | D SILICON MA150        |
| 5-D109A        | ED-325000 | D SILICON MA150        |
| 5-D109B        | ED-325000 | D SILICON MA150        |
| 5-D110A        | ED-325000 | D SILICON MA150        |
| 5-D110B        | ED-325000 | D SILICON MA150        |
| 5-D111         | ED-749563 | D ZENER RD15EB1 VZ     |
| 5-D112, 113    | ED-325000 | D SILICON MA150        |
| 5-D114A        | ED-325000 | D SILICON MA150        |
| 5-D114B        | ED-325000 | D SILICON MA150        |
| 5-RV101 to 104 | EV-749556 | R S-FIX V V8K4-11 103B |
| 5-RV105, 106   | EV-749566 | R S-FIX TM8KH1-1 102B  |
| 5-RV107        | EV-749555 | R S-FIX V V8K4-11 202B |
| 5-RV108        | EV-749556 | R S-FIX V V8K4-11 103B |
| 5-RV109 to 111 | EV-749555 | R S-FIX V V8K4-11 202B |
| 5-RV112, 113   | EV-749567 | R S-FIX 103            |
| 5-RV114        | EV-749556 | R S-FIX V V8K4-11 103B |
| 5-L101 to 104  | EO-708722 | COIL FIX 10μH          |
| 5-T101A        | EO-749568 | TRANS PULSE            |
| 5-T101B        | EO-749568 | TRANS PULSE            |

#### 6. DISPLAY/KEY P.C BOARD BLOCK

| REF. NO. | PARTS NO. | DESCRIPTION |
|----------|-----------|-------------|
|----------|-----------|-------------|

##### DISPLAY P.C BOARD

|        |           |                    |
|--------|-----------|--------------------|
| 6-DL01 | ED-325000 | D SILICON MA150    |
| 6-LL01 | ED-749523 | D LED LD-101UR RED |
| 6-LL02 | ED-749524 | D LED LD101DU      |
| 6-LL03 | ED-749525 | D LED LD-101GG GRN |
| 6-LL04 | ED-749526 | D LED GL-7H202     |
| 6-LL05 | ED-749528 | D LED LC-204MB GRN |

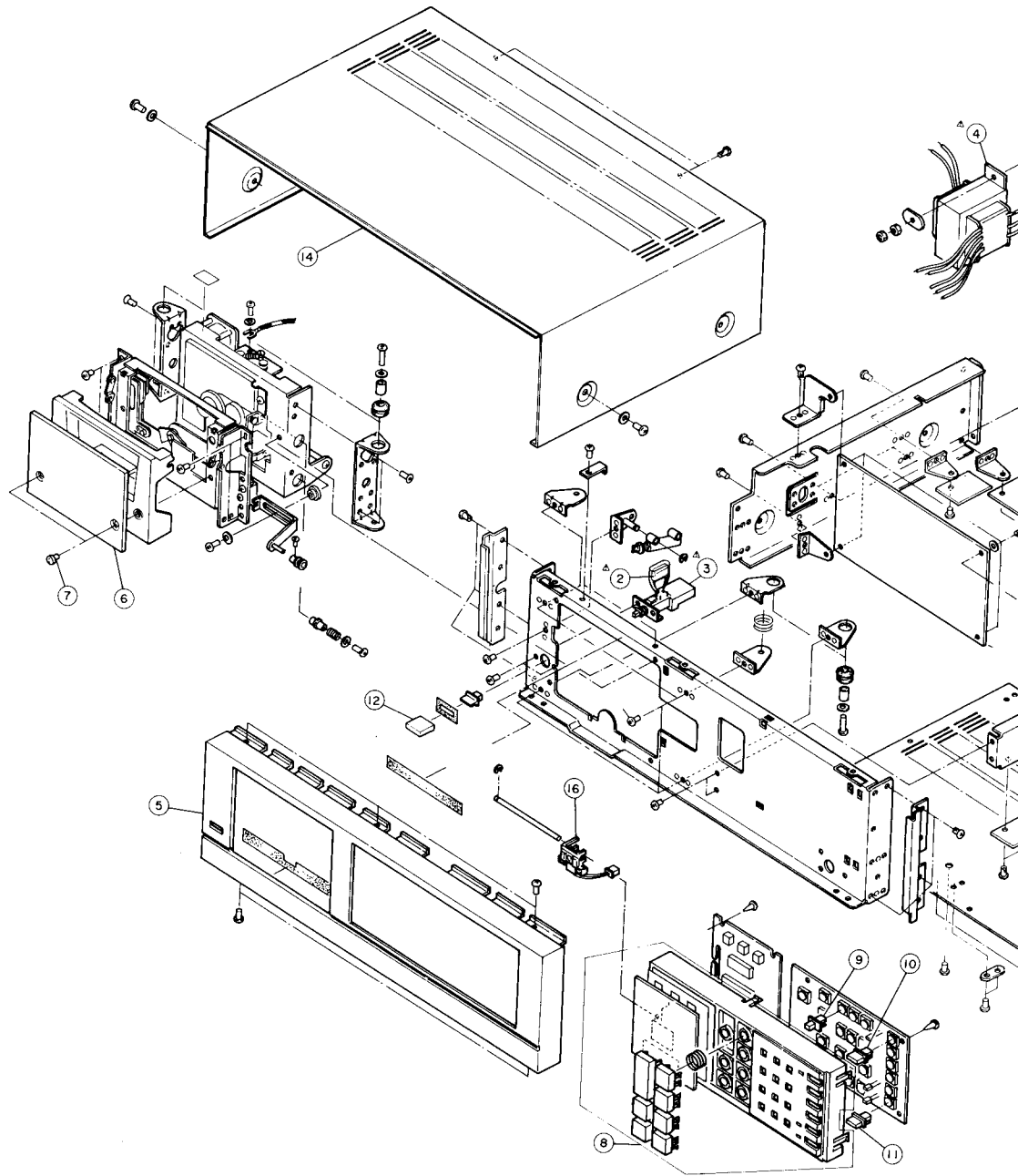
##### LED P.C BOARD

|        |           |               |
|--------|-----------|---------------|
| 6-LL06 | ED-749527 | D LED AR2222S |
|--------|-----------|---------------|

##### KEY P.C BOARD

|              |           |                   |
|--------------|-----------|-------------------|
| 6-QS01       | ET-308867 | TR 2SA1015 O,Y,GR |
| 6-QS02, 3    | ET-308867 | TR 2SA1015 O,Y,GR |
| 6-LS01 to 3  | ED-705991 | D LED TLR205 RED  |
| 6-SS01 to 18 | ES-749529 | SW TACT           |
| 6-SS19 to 25 | ES-749530 | SW TACT           |

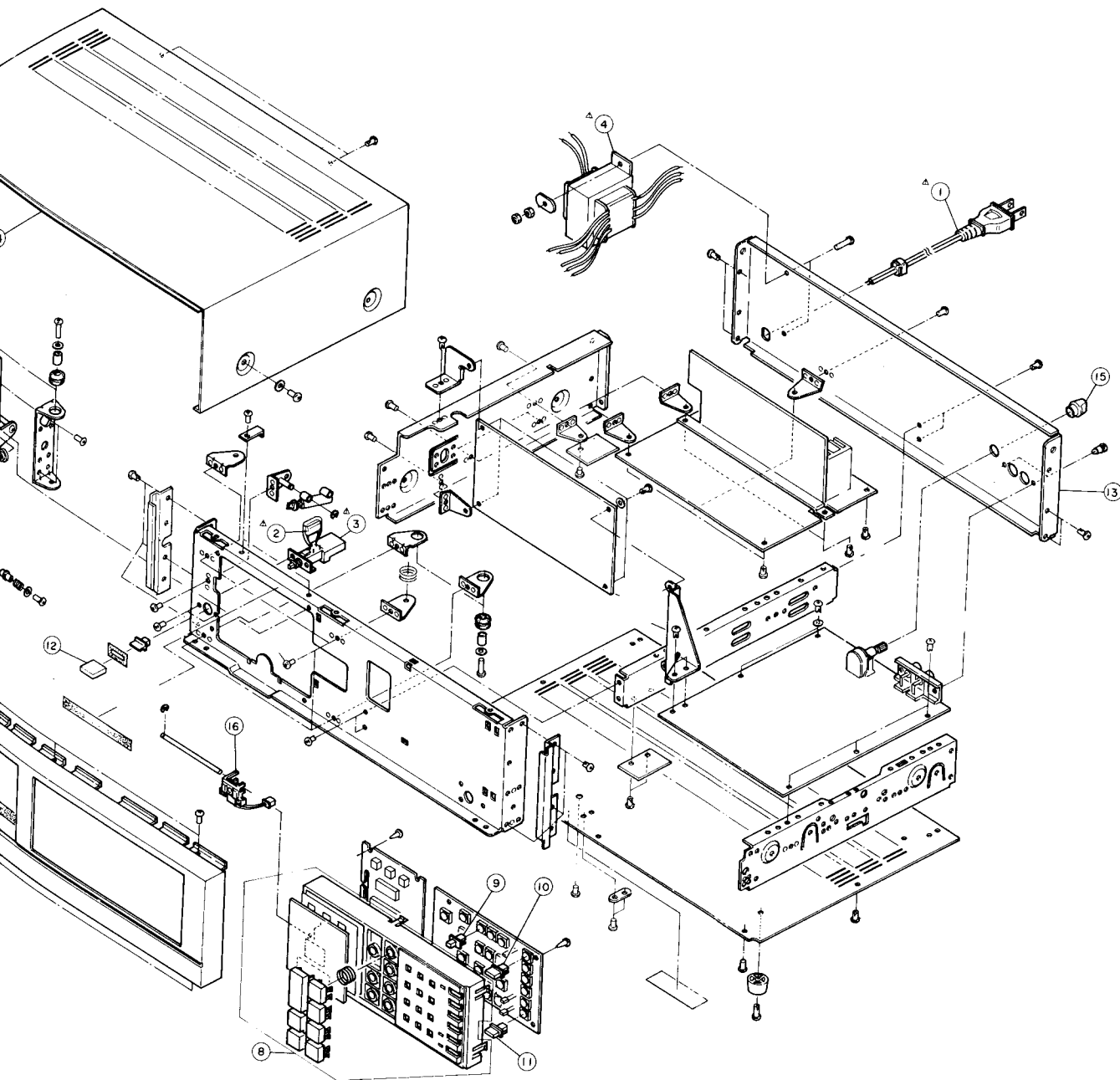
## FINAL ASSEMBLY BLOCK



### 7. FINAL ASSEMBLY BLOCK

| REF. NO. | PARTS NO. | DESCRIPTION                      | REF. NO. | PARTS NO. | DESCRIPTION          |
|----------|-----------|----------------------------------|----------|-----------|----------------------|
| 7-1J     | EW-749474 | △ AC CORD CD-D1 (J)              | 7-6      | SP-749591 | LID COVER DISC       |
| 7-1C     | EW-749576 | △ AC CORD CD-D1 (C)              | 7-7      | ZS-749592 | SCREW SPL (LID)      |
| 7-1A     | EW-749575 | △ AC CORD CD-D1 (A)              | 7-8      | BD-749600 | FRAME ASSY (FP)      |
| 7-1E     | EW-749573 | △ AC CORD CD-D1 (E,V)            | 7-9      | SB-749593 | BUTTON               |
| 7-1B     | EW-749574 | △ AC CORD CD-D1 (B)              | 7-9x     | SB-749595 | BUTTON MEMORY (GRY)  |
| 7-2J     | EC-749475 | △ C MMY 472 CD-D1 (J,A) (C1)     | 7-10     | SB-749594 | BUTTON SELECT        |
| 7-2C     | EC-749601 | △ C MMY 472 CD-D1 (C) (C1)       | 7-11     | SB-749596 | BUTTON TIME (GRY)    |
| 7-2E     | EC-749602 | △ C MMY 103 CD-D1 (E,V,B,S) (C1) | 7-12     | SB-749899 | BUTTON POWER         |
| 7-3      | ES-749490 | △ SW PUSH (SW1)                  | 7-13J    | SP-749584 | PANEL REAR CD-D1 (J) |
| 7-4J     | BT-749514 | △ TRANS POWER CD-D1 (J) (T1)     | 7-13C    | SP-749589 | PANEL REAR CD-D1 (C) |
| 7-4C     | BT-749580 | △ TRANS POWER CD-D1 (C,A) (T1)   | 7-13A    | SP-749587 | PANEL REAR CD-D1 (A) |
| 7-4E     | BT-749578 | △ TRANS POWER CD-D1 (E,V) (T1)   | 7-13E    | SP-749585 | PANEL REAR CD-D1 (E) |
| 7-4B     | BD-749579 | △ TRANS POWER CD-D1 (B,S) (T1)   | 7-13V    | SP-749588 | PANEL REAR CD-D1 (V) |
| 7-5      | BD-749570 | PANEL FRONT PART CD-D1           | 7-13B    | SP-749586 | PANEL REAR (B)       |
|          |           |                                  | 7-13S    | SP-749590 | PANEL REAR (S)       |
|          |           |                                  | 7-14     | BC-749598 | COVER UPPER          |
|          |           |                                  | 7-15     | SK-749900 | KNOB VR              |
|          |           |                                  | 7-16     | MZ-749903 | HOLDER LED           |





| REF. NO. | PARTS NO. | DESCRIPTION          |
|----------|-----------|----------------------|
| 7-6      | SP-749591 | LID COVER DISC       |
| 7-7      | ZS-749592 | SCREW SPL (LID)      |
| 7-8      | BD-749600 | FRAME ASSY (FP)      |
| 7-9      | SB-749593 | BUTTON               |
| 7-9x     | SB-749595 | BUTTON MEMORY (GRY)  |
| 7-10     | SB-749594 | BUTTON SELECT        |
| 7-11     | SB-749596 | BUTTON TIME (GRY)    |
| 7-12     | SB-749899 | BUTTON POWER         |
| 7-13J    | SP-749584 | PANEL REAR CD-D1 (J) |
| 7-13C    | SP-749589 | PANEL REAR CD-D1 (C) |
| 7-13A    | SP-749587 | PANEL REAR CD-D1 (A) |
| 7-13E    | SP-749585 | PANEL REAR CD-D1 (E) |
| 7-13V    | SP-749588 | PANEL REAR CD-D1 (V) |
| 7-13B    | SP-749586 | PANEL REAR (B)       |
| 7-13S    | SP-749590 | PANEL REAR (S)       |
| 7-14     | BC-749598 | COVER UPPER          |
| 7-15     | SK-749900 | KNOB VR              |
| 7-16     | MZ-749903 | HOLDER LED           |

PARTS LIST CD-D1

# INDEX

| PARTS NO. | REF. NO. | PARTS NO. | REF. NO. | PARTS NO. | REF. NO. | PARTS NO. | REF. NO. |
|-----------|----------|-----------|----------|-----------|----------|-----------|----------|
| BA-749464 | 3-1      | ED-705991 | 6-LS01   | EO-708722 | 5-L101   | ET-749554 | 4-Q505   |
| BA-749468 | 4-1J     | ED-707114 | 4-D535   | EO-708722 | 5-L102   | ET-749554 | 4-Q507   |
| BA-749469 | 5-1J     | ED-707114 | 4-D534   | EO-749511 | 3-L901   | ET-749564 | 5-Q103   |
| BA-749571 | 4-1E     | ED-741594 | 4-D528   | EO-749512 | 3-L902   | ET-749565 | 5-Q114B  |
| BA-749572 | 5-1C     | ED-741594 | 4-D527   | EO-749512 | 3-L903   | ET-749565 | 5-Q114A  |
| BB-749463 | 1-1      | ED-749507 | 4-D903   | EO-749568 | 5-T101A  | EV-749532 | 3-RV901  |
| BB-749597 | 2-1      | ED-749508 | 3-D912   | EO-749568 | 5-T101B  | EV-749546 | 3-RV901  |
| BC-749598 | 7-14     | ED-749508 | 3-D913   | EP-749599 | 2-2      | EV-749555 | 4-RV501  |
| BD-749570 | 7-5      | ED-749509 | 3-D917   | EQ-749548 | 3-ZK902  | EV-749555 | 5-RV109  |
| BD-749579 | 7-4B     | ED-749509 | 4-D503   | EQ-749548 | 3-ZK901  | EV-749555 | 5-RV110  |
| BD-749600 | 7-8      | ED-749509 | 4-D502   | ER-742529 | 6-SS18   | EV-749555 | 5-RV107  |
| BM-749515 | 1-2      | ED-749509 | 5-D104   | ES-749490 | 7-3      | EV-749555 | 5-RV111  |
| BM-749516 | 1-3      | ED-749509 | 5-D105   | ES-749517 | 1-4      | EV-749556 | 4-RV505  |
| BO-749473 | 1-11     | ED-749523 | 6-LL01   | ES-749517 | 1-5      | EV-749556 | 4-RV502  |
| BT-749514 | 7-4J     | ED-749524 | 6-LL02   | ES-749529 | 6-SS12   | EV-749556 | 4-RV504  |
| BT-749578 | 7-4E     | ED-749525 | 6-LL03   | ES-749529 | 6-SS02   | EV-749556 | 5-RV104  |
| BT-749580 | 7-4C     | ED-749526 | 6-LL04   | ES-749529 | 6-SS10   | EV-749556 | 5-RV108  |
| EC-749475 | 7-2J     | ED-749527 | 6-LL06   | ES-749529 | 6-SS14   | EV-749556 | 5-RV114  |
| EC-749601 | 7-2C     | ED-749528 | 6-LL05   | ES-749529 | 6-SS07   | EV-749556 | 5-RV102  |
| EC-749602 | 7-2E     | ED-749550 | 4-D531   | ES-749529 | 6-SS13   | EV-749556 | 5-RV101  |
| ED-324458 | 3-D902   | ED-749551 | 4-D533   | ES-749529 | 6-SS16   | EV-749556 | 5-RV103  |
| ED-324458 | 3-D914   | ED-749551 | 4-D532   | ES-749529 | 6-SS11   | EV-749557 | 4-RV503  |
| ED-324458 | 4-D515   | ED-749552 | 4-D536   | ES-749529 | 6-SS01   | EV-749557 | 4-RV506  |
| ED-324458 | 4-D519   | ED-749562 | 5-D101   | ES-749529 | 6-SS17   | EV-749557 | 4-RVZ01  |
| ED-324458 | 4-D513   | ED-749563 | 5-D111   | ES-749529 | 6-SS04   | EV-749566 | 5-RV105  |
| ED-325000 | 3-D915   | EF-593706 | 4-F503   | ES-749529 | 6-SS09   | EV-749566 | 5-RV106  |
| ED-325000 | 3-D904   | EF-593706 | 4-F502   | ES-749529 | 6-SS08   | EV-749567 | 5-RV113  |
| ED-325000 | 3-D916   | EF-623103 | 4-F501   | ES-749529 | 6-SS05   | EV-749567 | 5-RV112  |
| ED-325000 | 3-D301   | EF-668474 | 4-F504   | ES-749529 | 6-SS06   | EW-749474 | 7-1J     |
| ED-325000 | 3-D302   | EF-668474 | 4-F505   | ES-749529 | 6-SS15   | EW-749573 | 7-1E     |
| ED-325000 | 3-D905   | EH-749510 | 3-FL901  | ES-749529 | 6-SS03   | EW-749574 | 7-1B     |
| ED-325000 | 3-D901   | EH-749510 | 3-FL902  | ES-749530 | 6-SS21   | EW-749575 | 7-1A     |
| ED-325000 | 4-D522   | EI-213390 | 4-U501   | ES-749530 | 6-SS22   | EW-749576 | 7-1C     |
| ED-325000 | 4-D521   | EI-213390 | 4-U504   | ES-749530 | 6-SS23   | MB-749521 | 1-9      |
| ED-325000 | 4-D514   | EI-213390 | 5-U104   | ES-749530 | 6-SS20   | MD-749522 | 1-10     |
| ED-325000 | 4-D504   | EI-213390 | 5-U101   | ES-749530 | 6-SS19   | MZ-749518 | 1-6      |
| ED-325000 | 4-D516   | EI-213390 | 5-U107   | ES-749530 | 6-SS25   | MZ-749519 | 1-7      |
| ED-325000 | 4-D520   | EI-213390 | 5-U108   | ES-749530 | 6-SS24   | MZ-749520 | 1-8      |
| ED-325000 | 4-D506   | EI-304657 | 4-U508   | ES-749533 | 3-S902   | MZ-749549 | 2-3      |
| ED-325000 | 4-D507   | EI-310036 | 4-U505   | ES-749533 | 3-S901   | MZ-749903 | 7-16     |
| ED-325000 | 4-D510   | EI-310036 | 4-U506   | ET-307234 | 3-Q906   | SB-749593 | 7-9      |
| ED-325000 | 4-D508   | EI-310046 | 3-U917   | ET-307234 | 3-Q904   | SB-749594 | 7-10     |
| ED-325000 | 4-D537   | EI-332287 | 3-U912   | ET-307234 | 3-Q907   | SB-749595 | 7-9x     |
| ED-325000 | 4-D525   | EI-705079 | 3-U910   | ET-307234 | 3-Q901   | SB-749596 | 7-11     |
| ED-325000 | 4-D530   | EI-749513 | 3-Q903   | ET-307234 | 5-Q111B  | SB-749899 | 7-12     |
| ED-325000 | 4-D511   | EI-749531 | 3-CX901  | ET-307234 | 5-Q111A  | SK-749900 | 7-15     |
| ED-325000 | 4-D509   | EI-749534 | 3-U901   | ET-307234 | 5-Q112A  | SP-749584 | 7-13J    |
| ED-325000 | 4-D526   | EI-749535 | 3-U902   | ET-307234 | 5-Q112B  | SP-749585 | 7-13E    |
| ED-325000 | 4-D540   | EI-749536 | 3-U903   | ET-308867 | 3-Q902   | SP-749586 | 7-13B    |
| ED-325000 | 4-D505   | EI-749537 | 3-U904   | ET-308867 | 3-Q905   | SP-749587 | 7-13A    |
| ED-325000 | 4-D524   | EI-749538 | 3-U905   | ET-308867 | 4-Q510   | SP-749588 | 7-13V    |
| ED-325000 | 4-D541   | EI-749538 | 3-U906   | ET-308867 | 4-Q506   | SP-749589 | 7-13C    |
| ED-325000 | 4-D512   | EI-749539 | 3-U907   | ET-308867 | 5-Q110   | SP-749590 | 7-13S    |
| ED-325000 | 4-D517   | EI-749540 | 3-U908   | ET-308867 | 5-Q113A  | SP-749591 | 7-6      |
| ED-325000 | 4-D538   | EI-749540 | 3-U909   | ET-308867 | 5-Q101   | ZS-749592 | 7-7      |
| ED-325000 | 4-D539   | EI-749541 | 3-U911   | ET-308867 | 5-Q113B  |           |          |
| ED-325000 | 4-D501   | EI-749542 | 3-U913   | ET-308867 | 6-QS01   |           |          |
| ED-325000 | 4-D529   | EI-749543 | 3-U914   | ET-308867 | 6-QS03   |           |          |
| ED-325000 | 4-D518   | EI-749544 | 3-U915   | ET-308867 | 6-QS02   |           |          |
| ED-325000 | 4-D523   | EI-749545 | 3-U916   | ET-323366 | 4-Q504   |           |          |
| ED-325000 | 4-D542   | EI-749545 | 5-U106   | ET-350335 | 5-Q102   |           |          |
| ED-325000 | 5-D109A  | EI-749547 | 3-X901   | ET-398788 | 3-Q301   |           |          |
| ED-325000 | 5-D103   | EI-749558 | 4-U502   | ET-398788 | 5-Q107   |           |          |
| ED-325000 | 5-D108B  | EI-749558 | 4-U503   | ET-398788 | 5-Q104D  |           |          |
| ED-325000 | 5-D107B  | EI-749558 | 5-U105   | ET-398788 | 5-Q106   |           |          |
| ED-325000 | 5-D113   | EI-749558 | 5-U109   | ET-398788 | 5-Q105   |           |          |
| ED-325000 | 5-D114A  | EI-749559 | 4-U507   | ET-398788 | 5-Q104A  |           |          |
| ED-325000 | 5-D110B  | EI-749559 | 4-U509   | ET-398788 | 5-Q108   |           |          |
| ED-325000 | 5-D106A  | EI-749560 | 4-U510   | ET-398788 | 5-Q104C  |           |          |
| ED-325000 | 5-D107A  | EI-749561 | 4-U511   | ET-398788 | 5-Q104B  |           |          |
| ED-325000 | 5-D110A  | EI-749569 | 5-U103   | ET-399846 | 4-Q508   |           |          |
| ED-325000 | 5-D106B  | EI-749569 | 5-U102B  | ET-399846 | 4-Q509   |           |          |
| ED-325000 | 5-D108A  | EI-749569 | 5-U102D  | ET-399846 | 4-Q502   |           |          |
| ED-325000 | 5-D109B  | EI-749569 | 5-U102A  | ET-452531 | 5-Q115   |           |          |
| ED-325000 | 5-D114B  | EI-749569 | 5-U102C  | ET-669633 | 3-Q302   |           |          |
| ED-325000 | 5-D112   | EI-749603 | 5-U110   | ET-702234 | 4-QZ01   |           |          |
| ED-325000 | 5-D102   | EI-749612 | 4-U512   | ET-702234 | 4-Q501   |           |          |
| ED-325000 | 6-LL01   | EO-708722 | 3-L904   | ET-702234 | 5-Q109   |           |          |
| ED-705991 | 6-LS03   | EO-708722 | 5-L104   | ET-703099 | 4-Q511   |           |          |
| ED-705991 | 6-LS02   | EO-708722 | 5-L103   | ET-749553 | 4-Q503   |           |          |

**RTV servis Horvat**  
**Kešinci, 31402 Semeljci**  
**Tel : 031-856-637**  
**Tel / fax : 031-856-139**  
**Mob : 098-788-319**  
**rtv-servis-horvat@os.tel.hr**

---

## ***RTV servis Horvat***

Kešinci, 31402 Semeljci

Tel : 031-856-637

Tel / fax : 031-856-139

Mob : 098-788-319

[rtv-servis-horvat@os.tel.hr](mailto:rtv-servis-horvat@os.tel.hr)

### SECTION 3

## **SCHEMATIC DIAGRAM**

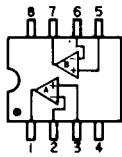
### TABLE OF CONTENTS

|                                  |    |
|----------------------------------|----|
| 1. SCHEMATIC DIAGRAM OF ICs..... | 54 |
| 2. ADJUSTMENT TABLE .....        | 56 |
| 3. WIRING DIAGRAM .....          | 58 |
| 4. SCHEMATIC DIAGRAM .....       | 59 |

# SCHEMATIC DIAGRAM OF ICs

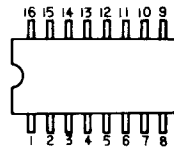
U101  
U104  
U107  
U108  
U501  
U504

NJM4558D



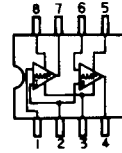
1 A OUTPUT 5 B+ INPUT  
2 A- INPUT 6 B- INPUT  
3 A+ INPUT 7 B OUTPUT  
4 V-

U910: TC4028BP



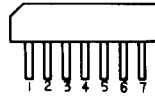
1 Q<sub>a</sub> OUTPUT 9 Q<sub>e</sub> OUTPUT  
2 Q<sub>b</sub> OUTPUT 10 A INPUT  
3 Q<sub>c</sub> OUTPUT 11 D INPUT  
4 Q<sub>d</sub> OUTPUT 12 C INPUT  
5 Q<sub>e</sub> OUTPUT 13 B INPUT  
6 Q<sub>f</sub> OUTPUT 14 Q<sub>f</sub> OUTPUT  
7 Q<sub>g</sub> OUTPUT 15 Q<sub>g</sub> OUTPUT  
8 V<sub>DD</sub> 16 V<sub>DD</sub>

U110: LA1222



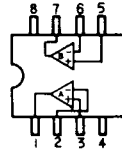
1 Amp I INPUT  
2 BIAS  
3 G  
4 Amp II OUTPUT  
5 Amp II OUTPUT (V<sub>CC</sub>)  
6 Amp II INPUT  
7 Amp I OUTPUT  
8 V<sub>CC</sub>

U102(A-D)  
U103 } TA7302P



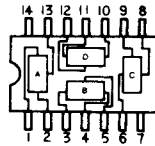
1 + INPUT  
2 - INPUT  
3 BIAS  
4 GND  
5 FILTER  
6 OPEN COLLECTOR OUTPUT  
7 V<sub>CC</sub>

U908 } TL072  
U909 } (NJM4556)



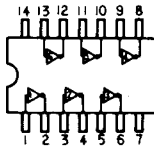
1 A OUTPUT 5 B+ INPUT  
2 A- INPUT 6 B- INPUT  
3 A+ INPUT 7 B OUTPUT  
4 V<sub>CC-</sub> 8 V<sub>CC+</sub>

U505 } TC4066BP  
U506 }



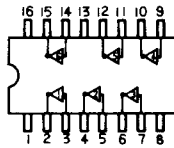
1 A IN/OUT 8 C IN/OUT  
2 A OUT/IN 9 C OUT/IN  
3 B OUT/IN 10 D OUT/IN  
4 B IN/OUT 11 D IN/OUT  
5 B C<sub>IN</sub> 12 D C<sub>IN</sub>  
6 C C<sub>IN</sub> 13 A C<sub>IN</sub>  
7 V<sub>SS</sub> 14 V<sub>CC</sub>

U106 } SN74LS04N  
U916 }



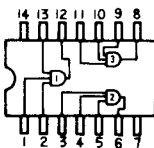
1 1 INPUT 8 4 OUTPUT  
2 1 OUTPUT 9 4 INPUT  
3 2 INPUT 10 5 OUTPUT  
4 2 OUTPUT 11 5 INPUT  
5 3 INPUT 12 6 OUTPUT  
6 3 OUTPUT 13 6 INPUT  
7 GND 14 V<sub>CC</sub>

U507 } TC409UBP  
U509 }



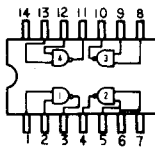
1 V<sub>CC</sub> 9 4 INPUT  
2 1 OUTPUT 10 4 OUTPUT  
3 1 INPUT 11 5 INPUT  
4 2 OUTPUT 12 5 OUTPUT  
5 2 INPUT 13 NC  
6 3 OUTPUT 14 6 INPUT  
7 3 INPUT 15 6 OUTPUT  
8 V<sub>SS</sub> 16 V<sub>DD</sub>

U917: SN74LS11N



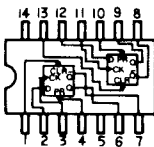
1 1 INPUT 8 3 OUTPUT  
2 1 INPUT 9 3 INPUT  
3 2 INPUT 10 3 INPUT  
4 2 INPUT 11 3 INPUT  
5 2 INPUT 12 1 OUTPUT  
6 2 OUTPUT 13 1 INPUT  
7 GND 14 V<sub>CC</sub>

U508: TC4011BP



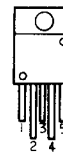
1 1 INPUT 8 3 INPUT  
2 1 INPUT 9 3 INPUT  
3 1 OUTPUT 10 3 INPUT  
4 2 OUTPUT 11 4 OUTPUT  
5 2 INPUT 12 4 INPUT  
6 2 INPUT 13 4 INPUT  
7 V<sub>SS</sub> 14 V<sub>DD</sub>

U915: SN74LS74N



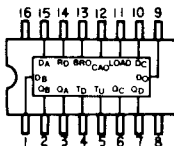
1 1 CLR 8 2Q  
2 1D 9 2Q  
3 1CK 10 2PR  
4 1PR 11 2CK  
5 1Q 12 2D  
6 1Q 13 2CLR  
7 GND 14 V<sub>CC</sub>

U105 }  
U109 } μPC1238V  
U502 }  
U503 }



1 INPUT  
2 NFB  
3 -V<sub>CC</sub>  
4 OUTPUT  
5 +V<sub>CC</sub>

U914: M74LS193P



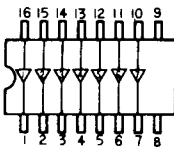
1 D<sub>B</sub> 9 D<sub>D</sub>  
2 Q<sub>B</sub> 10 D<sub>C</sub>  
3 Q<sub>A</sub> 11 LOAD  
4 T<sub>D</sub> 12 CA0  
5 T<sub>U</sub> 13 BRO  
6 Q<sub>C</sub> 14 R<sub>0</sub>  
7 Q<sub>0</sub> 15 D<sub>A</sub>  
8 GND 16 V<sub>CC</sub>

U510: μA7805UC  
U511: μA7812UC



1 INPUT  
2 COMMON  
3 OUTPUT

U913: BA618



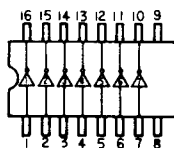
1 1 OUTPUT 9 GND  
2 2 OUTPUT 10 7 INPUT  
3 3 OUTPUT 11 6 INPUT  
4 4 OUTPUT 12 5 INPUT  
5 5 OUTPUT 13 4 INPUT  
6 6 OUTPUT 14 3 INPUT  
7 7 OUTPUT 15 2 INPUT  
8 V<sub>CC</sub> 16 1 INPUT

U512: μA7912UC



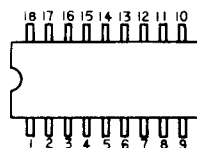
1 COMMON  
2 INPUT  
3 OUTPUT

U912: M54517P



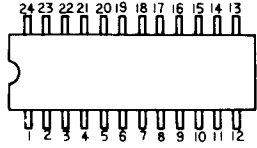
1 1 INPUT 9 NC  
2 2 INPUT 10 7 OUTPUT  
3 3 INPUT 11 6 OUTPUT  
4 4 INPUT 12 5 OUTPUT  
5 5 INPUT 13 4 OUTPUT  
6 6 INPUT 14 3 OUTPUT  
7 7 INPUT 15 2 OUTPUT  
8 GND 16 1 OUTPUT

U901: SAA7000 (M4300)



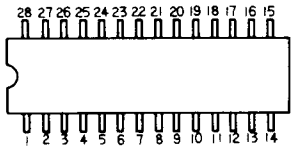
1 V<sub>B8</sub> 10 V<sub>DD2</sub>  
2 FSEC 11 STR2  
3 CLEC 12 STR1  
4 DAEC 13 DLFC  
5 UNEC 14 CLFC  
6 CLOX 15 DRFC  
7 XTAL2 16 14/16  
8 XTAL1 17 TEST  
9 V<sub>SS</sub> 18 V<sub>DD1</sub>

U904: SAA7030  
(M4550)



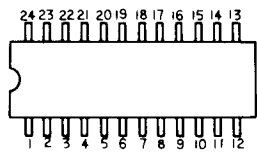
|         |         |
|---------|---------|
| 1 VBB   | 13 VDD2 |
| 2 OS    | 14 NC   |
| 3 DLFD  | 15 TINR |
| 4 NC    | 16 TINL |
| 5 NC    | 17 DRCF |
| 6 CLFD  | 18 CLCF |
| 7 LAT   | 19 CLOX |
| 8 NC    | 20 DLCF |
| 9 NC    | 21 STR1 |
| 10 DPFD | 22 RT   |
| 11 OB   | 23 TE   |
| 12 VSS  | 24 VDD1 |

U902: SAA7010  
(M4290)



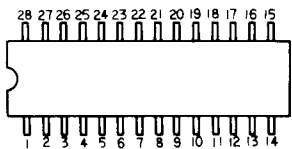
|              |              |
|--------------|--------------|
| 1 VBB        | 15 VDD2      |
| 2 SDATA      | 16 OA1       |
| 3 SBCL       | 17 OA2       |
| 4 SWCL       | 18 OA3       |
| 5 P          | 19 VSS (DIG) |
| 6 HFD        | 20 VCO1      |
| 7 HF1        | 21 VCO2      |
| 8 HFT        | 22 CEFM      |
| 9 FB         | 23 FD        |
| 10 FB        | 24 FSDE      |
| 11 DEFM      | 25 SSDE      |
| 12 PD2       | 26 CLDE      |
| 13 PD1       | 27 DADE      |
| 14 VSS (DIG) | 28 VDD1      |

U907: TMM2016P-2



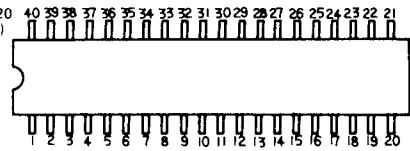
|         |         |
|---------|---------|
| 1 A7    | 13 I/O4 |
| 2 A6    | 14 I/O5 |
| 3 A5    | 15 I/O6 |
| 4 A4    | 16 I/O7 |
| 5 A3    | 17 I/O8 |
| 6 A2    | 18 CS   |
| 7 A1    | 19 A10  |
| 8 A0    | 20 OE   |
| 9 I/O1  | 21 WE   |
| 10 I/O2 | 22 A9   |
| 11 I/O3 | 23 A8   |
| 12 GND  | 24 Vcc  |

U905 } TDA1540  
U906 }



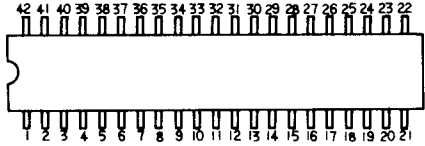
|              |              |
|--------------|--------------|
| 1 DATA INPUT | 15 CURRENT R |
| 2 LATCH      | 16 CURRENT R |
| 3 VOLT R     | 17 CURRENT R |
| 4 V+         | 18 DECOUP C  |
| 5 FCA        | 19 DECOUP C  |
| 6 GROUND     | 20 DECOUP C  |
| 7 V-         | 21 DECOUP C  |
| 8 OSC C      | 22 AF OUT    |
| 9 OSC C      | 23 DECOUP C  |
| 10 VOLT R    | 24 DECOUP C  |
| 11 V-        | 25 DECOUP C  |
| 12 DECOUP C  | 26 VOLT R    |
| 13 DECOUP C  | 27 VOLT R    |
| 14 DECOUP C  | 28 CLOCK IN  |

U903: SAA7020  
(M4280)



|           |         |         |         |
|-----------|---------|---------|---------|
| 1 VBB     | 11 A2ER | 21 VDD2 | 31 D4ER |
| 2 FSEC    | 12 A3ER | 22 TEST | 32 D3ER |
| 3 C1 FLAG | 13 A4ER | 23 CLOX | 33 D2ER |
| 4 MCES    | 14 A5ER | 24 WEER | 34 D1ER |
| 5 DADE    | 15 A6ER | 25 OEER | 35 D0ER |
| 6 CLDE    | 16 A7ER | 26 CEER | 36 UNEC |
| 7 SSDE    | 17 A8ER | 27 CLEC | 37 DAEC |
| 8 FSDE    | 18 A9ER | 28 DTER | 38 GAP  |
| 9 A0ER    | 19 AAER | 29 D6ER | 39 SMSE |
| 10 A1ER   | 20 VSS  | 30 D5ER | 40 VDD1 |

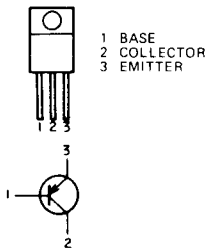
U911: MB88401-P



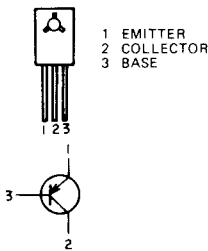
|        |          |          |        |
|--------|----------|----------|--------|
| 1 R4   | 12 K0    | 22 SC/TO | 33 P0  |
| 2 R5   | 13 K1    | 23 SI    | 34 P1  |
| 3 R6   | 14 K2    | 24 SO    | 35 P2  |
| 4 R7   | 15 K3    | 25 O0    | 36 P3  |
| 5 R8   | 16 EX    | 26 O1    | 37 R0  |
| 6 R9   | 17 X     | 27 O2    | 38 R1  |
| 7 R10  | 18 RESET | 28 O3    | 39 R2  |
| 8 R11  | 19 IRQ   | 29 O4    | 40 R3  |
| 9 R12  | 20 TC    | 30 O5    | 41 VM  |
| 10 R13 | 21 Vss   | 31 O6    | 42 Vcc |
| 11 R14 |          | 32 O7    |        |

|               |               |           |
|---------------|---------------|-----------|
| Q511: 2SC828  | Q104(A-D)     | Q111(A-B) |
| Q502          | Q105          | Q112(A-B) |
| Q508          | Q106          | Q801      |
| Q509          | Q107          | Q804      |
| Q503: 2SC1383 | Q108          | Q808      |
|               | Q803: 2SC2062 | Q807      |
|               | 2SC1874       | 2SC1815   |

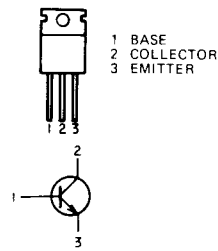
Q505 } 2SA768  
Q507 }



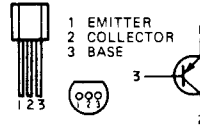
Q103: 2SA794



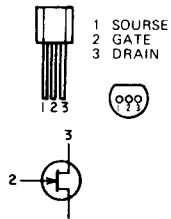
Q115 } 2SD313  
Q504 }



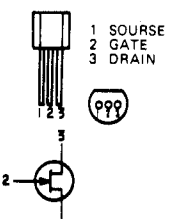
Q101 }  
Q110 }  
Q113(A-B) }  
Q506 } 2SA1015  
Q510 }  
Q902 }  
Q905 }  
Q102: 2SA564



Q114(A-B): 2SK121

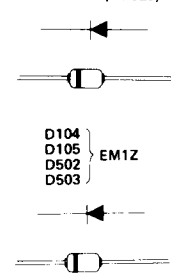


Q109 } 2SK246  
Q501 }



D101: MA1082 }  
D536: MA1180M }  
D102 }  
D103 }  
D106(A-B) }  
D107(A-B) }  
D108(A-B) }  
D109(A-B) }  
D110(A-B) }  
D112 }  
D113 }  
D501, D516, D530, D901 }  
D504, D517, D537, D904 }  
D505, D518, D538, D905 }  
D506, D520, D539, D906 }  
D507, D521, D540, D907 }  
D508, D522, D541, D908 }  
D509, D523, D542, D909 }  
D510, D524, D910 }  
D511, D525, D911 }  
D512, D526, D915 }  
D514, D529, }

MA150



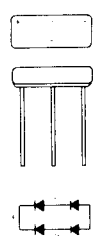
D903: RD2.4EC }  
D513 }  
D515 }  
D519 }  
D527 }  
D528 }  
D902 }  
D914 }  
D534 } RD6.8EB2  
D535 }  
D111: RD15EB1



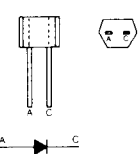
D531: S2VB



D532 } S1RBA20  
D533 }



D912 } SVC321SP  
D913 }



# ADJUSTMENT TABLE

Adjustment Number  
 Numéro du réglage  
 Einstellnummer

|  |
|--|
| Adjustment Title<br>Titre de réglage<br>Einstelltitel                    |
| CD-D1 Mode<br>Mode CD-D1<br>CD-D1 Betriebsart                            |
| Adjustment Guidelines<br>Instructions de réglage<br>Einstell-Richtlinien |



Adjustment Point for RV or equivalent  
 Point de réglage pour RV ou équivalent  
 Einstellstelle für RV o.dgl.

Test Point with an oscilloscope or a similar test instrument

Point Test avec oscilloscope ou appareil de contrôle similaire

Testpunkt für Oszilloskop oder ein ähnliches Testinstrument

(2-beam oscilloscope observation for dual lines)

(Examen avec oscilloscope à double faisceau pour lignes doubles)

(Beobachtung mit dem Zweistrahl-Oszilloskop auf Doppellinien)

| SET 1   |
|---|
| NO DISC. POWER ON.<br>PLAY ON. FF ON<br>(0.5 seconds or less)<br>(0,5 secondes ou moins)<br>(0,5 Sekunden oder weniger) |

| SET 2  |
|--|
| 20 seconds or longer after stopping out of SET 1 mode<br>20 secondes ou plus après désengagement du mode SET 1<br>20 Sekunden oder länger nach Stoppen aus der Betriebsart SET 1 |

①

|   |
|---|
| RV Presetting prior to Adjustment<br>Préréglage RV avant réglage<br>RV-Voreinstellung vor der durchzuführenden Einstellung  |
| NO POWER NO DISK  |
| When a Laser power meter has been provided: RV101 CW<br>Lorsqu'un wattmètre Laser est utilisé: RV101 CW<br>Wenn ein Laser-Leistungsmesser zur Verfügung steht: RV101 CW |
| RV 102 } CTR  |
| RV 108 } CW   |
| RV 109 } CW   |
| RV 110 } CW   |
| RV 111 } CW   |
| RV 112 } CTR  |
| RV 113 } CTR  |
| RV 114 } CTR  |
| RV 501 } CTR  |
| RV 502 } CW   |
| RV 503 } CTR  |
| RV 504 } CW   |
| RV 505 } CTR  |
| RV 506 } CCW  |
| RV 507 } CCW  |
| RV 901 } CTR  |
| CW : Turn to extreme right  |
| CTR : Center  |
| CCW : Turn to extreme left  |
| CW : Tourner à fond vers la droite  |
| CTR : Centre  |
| CCW : Tourner à fond vers la gauche   |
| CW : Bis zum Anschlag nach rechts drehen  |
| CTR : Mittelpunkt   |
| CCW : Bis zum Anschlag nach links drehen  |

②

| APC  |
|--|
| SET 1  |
| Make power in front of the lens 0.25 to 0.3 mW.<br>Régler la puissance devant la lentille à 0,25 - 0,3 mW.<br>Die Leistung vor der Linse auf 0,25 bis 0,3 mW einstellen.<br>* Exercise caution not to exceed 0.3 mW.<br>* Attention à ne pas dépasser 0,3 mW.<br>* Darauf achten, daß 0,3 mW nicht überschritten wird. |

③

| RM Offset Adjustment<br>Réglage d'inclinaison RM ("Offset")<br>Einstellung RM-Offset |
|--|
| SET 1  |
| DC 0V ± 25 mV  |

④

| DM BIAS   |
|---|
| SET 1   |
| DC 1.2V ± 0.2V<br>* Check that DM revolves.<br>* Vérifier que DM tourne<br>* DM bei Umdrehung verifizieren. |

⑤

| RD OUT OFF SET |
|----------------|
| STOP MODE      |
| DC 0V ± 25 mV  |

⑥

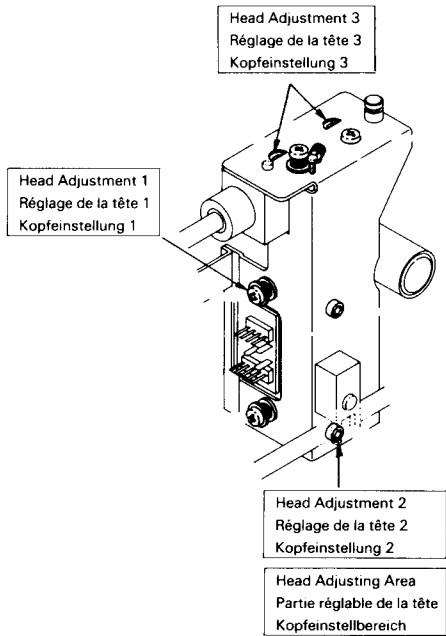
| FOCUS OFF SET |
|---------------|
| SET 2         |
| DC 0V ± 50 mV |

⑦

| SAMPLING PULSE  |
|---|
| PLAY MODE   |
| Point where pulses appear<br>Point d'apparition des impulsions<br>Punkt an dem Impulse erscheinen |

⑧

| Focus Adjustment<br>Réglage de mise au point<br>Fokus-Einstellung  |
|--|
| PLAY MODE  |
| Reduce signal DC component to 0V.<br>Réduire le composant courant continu du signal à 0V.<br>Den Signal-Gleichstromanteil auf 0V reduzieren.   |
| Ground oscilloscope input and mark 0VDC line on CRT. Then have signal exhibited vertically symmetrically centered around the 0VDC line.<br>Relier l'entrée de l'oscilloscope à la terre, et noter la ligne 0V courant continu sur CRT. Puis faire apparaître un signal verticalement symétrique centré sur la ligne de 0V courant continu. |
| Den Oszilloskop-Eingang erden und die 0V-Gleichstromlinie auf der CRT markieren. Dann die Signale vertikal symmetrisch zentriert an der 0V-Gleichstromlinie darstellen.  |



⑨

RF Waveform  
Courbe RF  
HF-Wellenform

PLAY MODE

Obtain the cleanest eye pattern  
Obtenir le motif d'œil le plus précis  
Ein optimal sauberes Augenmuster schaffen.

⑩

Pickup Head Height  
Hauteur de la tête de lecture  
Abtastkopf-Höhe

PLAY MODE

Reduce DC component to  $0V \pm 25\text{ mV}$  DC.  
Réduire le composant courant continu à  $0V \pm 25\text{ mV}$   
Den Gleichstromanteil auf  $0V \pm 25\text{ mV}$ -Gleichstrom reduzieren.

Head Adjustment 1  
Réglage de la tête 1  
Kopfeinstellung 1

⑪

DL BALANCE

PLAY MODE

Smallest amplitude  
Amplitude minimale  
Kleinste Amplitude

Head Adjustment 3  
Réglage de la tête 3  
Kopfeinstellung 3

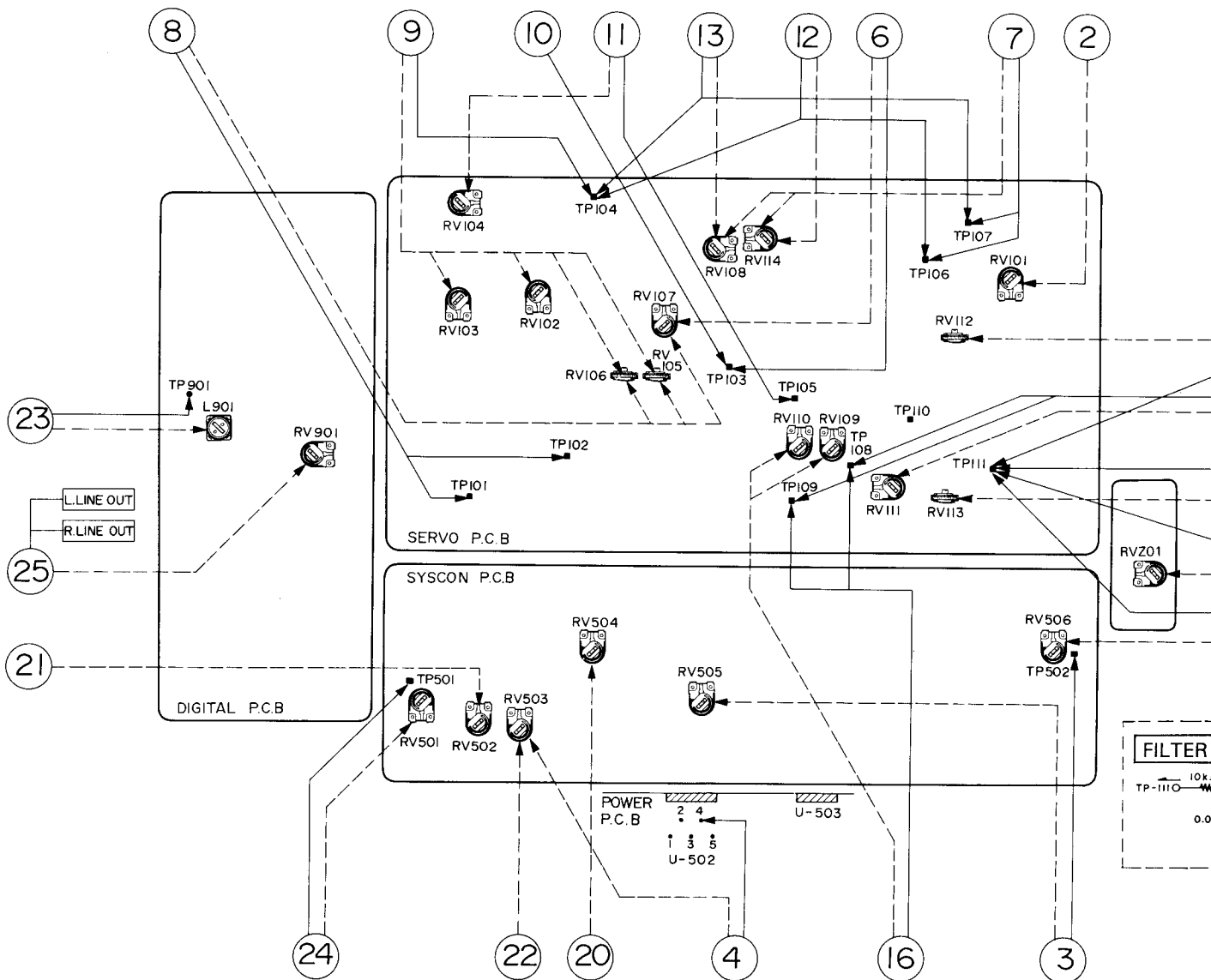
Repeat ⑪ a few times.  
Répéter ⑪ plusieurs fois  
⑪ Einige Male wiederholen.

⑫

SAMPLING POSITION 1

PLAY MODE

Make pulse coincide with the RF falling zero-crossing point.  
Faire coïncider l'impulsion avec le point d'intersection descendante zéro de RF  
Den Impuls zu Übereinstimmung mit dem Null-Schnittpunkt der HF-Anstiegsflanke bringen.



BALANCE  
PLAY MODE

Make pulse coincide with the RF ascending zero-crossing point.  
Faire coïncider l'impulsion avec le point d'intersection ascendante zéro de RF.  
Den Impuls zu Übereinstimmung mit dem Null-Schnittpunkt der HF-Aufstiegsflanke bringen.

PLAY POSITION 1  
PLAY MODE

Make pulse coincide with the RF falling point.  
Faire coïncider l'impulsion avec le point descendant zéro de RF.  
Den Impuls zu Übereinstimmung mit dem Null-Schnittpunkt der HF-Abwärtsflanke bringen.

13  
SAMPLING POSITION 2  
PLAY MODE

Make pulse coincide with the RF ascending zero-crossing point.  
Faire coïncider l'impulsion avec le point d'intersection ascendante zéro de RF.  
Den Impuls zu Übereinstimmung mit dem Null-Schnittpunkt der HF-Aufstiegsflanke bringen.

14  
RF Phase  
Phase RF  
HF-Phase

PLAY MODE

Head Adjustment 2  
Réglage de la tête 2  
Kopfeinstellung 2

Make RF signal phases match each other. (Adjust for the cleanest eye pattern.)  
Faire correspondre les phases du signal RF (Régler pour le motif d'œil le plus précis.)  
Die HF-Signalphasen miteinander zu Übereinstimmung bringen. (Einstellung für sauberstes Augenmuster vornehmen)

15  
RADIAL BALANCE 1  
PLAY MODE

Either reduce signal DC component to 0V, or make DC voltages at both TPs equal each other.  
Réduire le composant courant continu du signal à 0V, ou régler le voltage continu au même niveau pour les deux TP.

Entweder den Signal-Gleichstromanteil auf 0V reduzieren oder die Einstellung so durchführen, daß an beiden Testpunkten gleiche Gleichspannung anliegt.

16  
RADIAL BALANCE 2  
PLAY MODE

Make signal AC components equal, by reducing the larger component to equal the smaller.  
Égaliser les composants courant alternatif du signal, en réduisant le plus grand pour l'amener au niveau du plus petit.

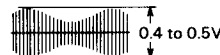
Die Signal-Wechselstromanteile durch Reduzierung der größeren Komponente auf gleichen Wert bringen.

17  
MAX RADIAL GAIN

PLAY mode immediately after IPLS  
Aussitôt après IPLS, mode "PLAY"

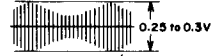
Wiedergabe-Betriebsart unmittelbar nach IPLS.

Make filter output 0.4 to 0.5V.  
Régler la sortie du filtre entre 0,4 et 0,5V.  
Den Filterausgang auf 0,4 bis 0,5V einstellen.



18  
NOR. RADIAL GAIN  
PLAY MODE

Make filter output 0.2 to 0.25V.  
Régler la sortie du filtre entre 0,2 et 0,25V.  
Den Filterausgang auf 0,2 bis 0,25V einstellen.




19  
IPLS RADIAL GAIN

PLAY mode with C-570 shorted  
Mode "PLAY", avec C-570 court-circuité

Wiedergabe-Betriebsart mit kurzgeschlossenem C-570

Make filter output 0.15 to 0.2V.  
Régler la sortie du filtre entre 0,15 et 0,2V.  
Den Filterausgang auf 0,15 bis 0,2V einstellen.



20  
Radial Gain  
Accroissement Radial  
Radialverstärkung

PLAY MODE

Point where radial motor slowly revolves while cogging, but without hunting, chattering, or reversing  
Point où le moteur radial tourne lentement, avec irrégularités ("Cogging"), mais sans recherche de signal ("Hunting"), intermittences ("Chattering") ni changement de sens

Punkt, an dem der Radialmotor langsam dreht, wobei der Abtastkopf abhebt, jedoch ohne Pendeln, Rattern oder Rücklauf.

21  
DM CONTROL 1  
PLAY MODE

Extreme right  
À fond vers la droite  
Bis zum Anschlag nach rechts

22  
DM CONTROL 2

FF mode until head position at around 5; then PLAY mode  
Avance Rapide jusqu'à ce que la tête soit aux environs de 5; puis mode "PLAY"

Schnellvorlauf-Betriebsart bis zu einer Kopf-Position bei ca. 5, dann Wiedergabe-Betriebsart

Adjust for the point where time display and sounds come out, or the shortest RF cycle, at 1.4 µs.  
Régler au point où apparaissent affichage de temps et son, ou au cycle RF le plus court, à 1,4 µs.

Den Punkt einstellen, an dem Zeit-Anzeige und Klang vorhanden sind oder kürzester HF-Zyklus bei 1,4 µs.

23  
DM CONTROL 3

RV502 to extreme left in PLAY mode  
RV502 à fond vers la gauche, mode "PLAY"

RV502 in der Wiedergabe-Betriebsart bis zum Anschlag nach links.

DC 5V ± 0.1V

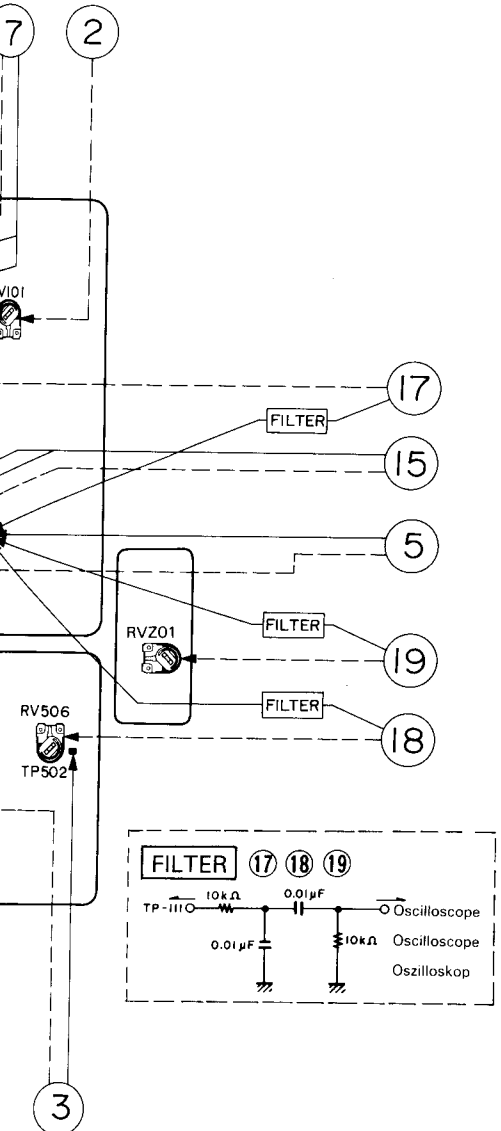
24  
DM CONTROL 4  
PLAY MODE

Make waveform duty ratio 50%  
Régler le rapport de fonction de la courbe ondulatoire à 50%

Das Wellenform-Tastverhältnis auf 50% bringen.

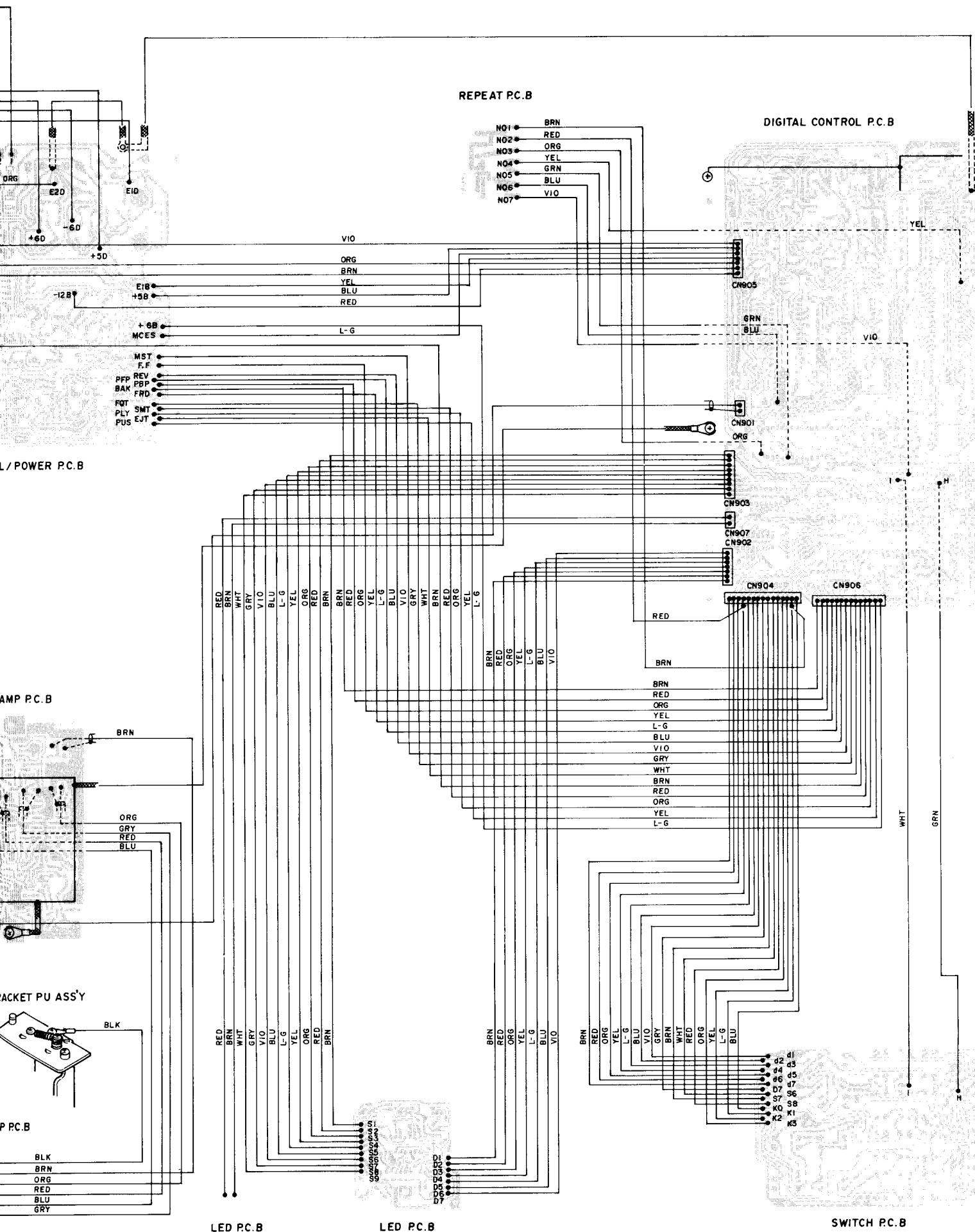
25  
AUDIO BALANCE  
PLAY MODE

L and R to be at same level  
L et R doivent être au même niveau  
L und R müssen gleichen Pegel haben









REPEAT PC.B

DIGITAL CONTROL P.C.B

L/POWER P.C.B

AMP P.C.B

PACKET PU ASS'Y

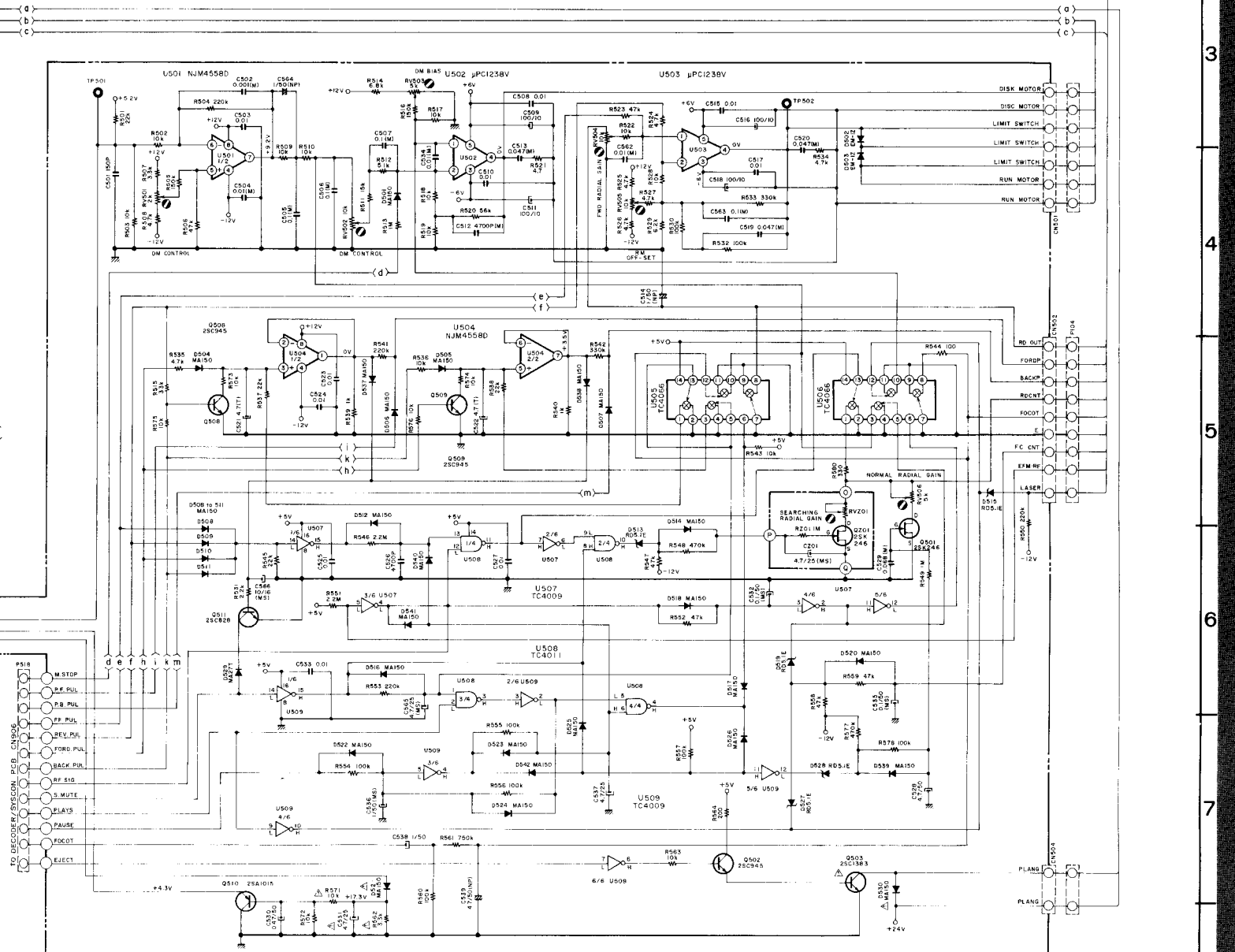
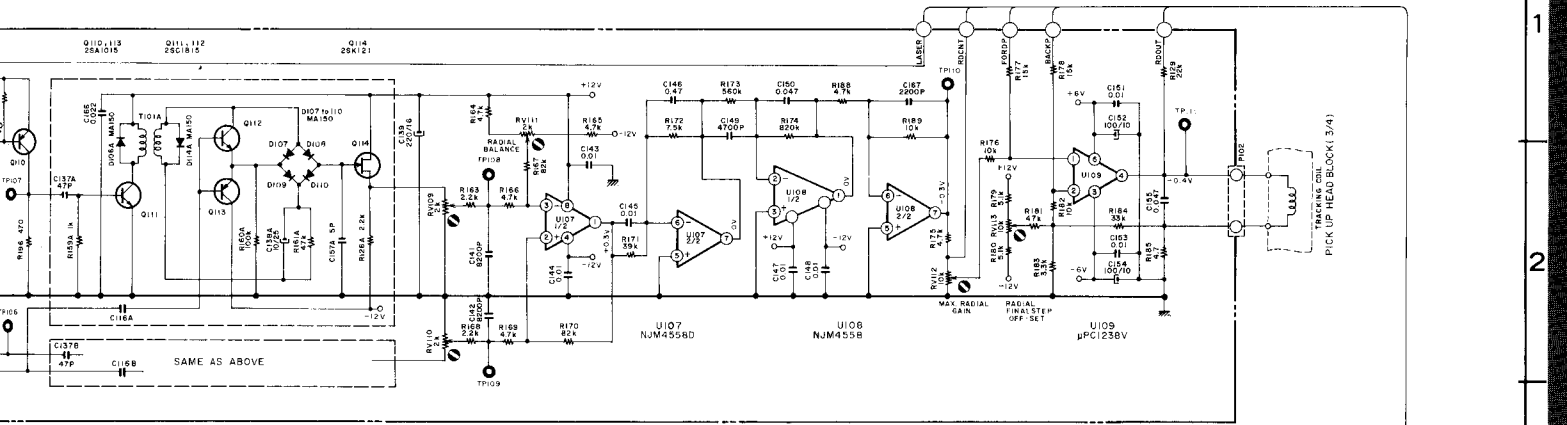
P.P.C.B

LED P.C.B

LED P.C.B

SWITCH P.C.B



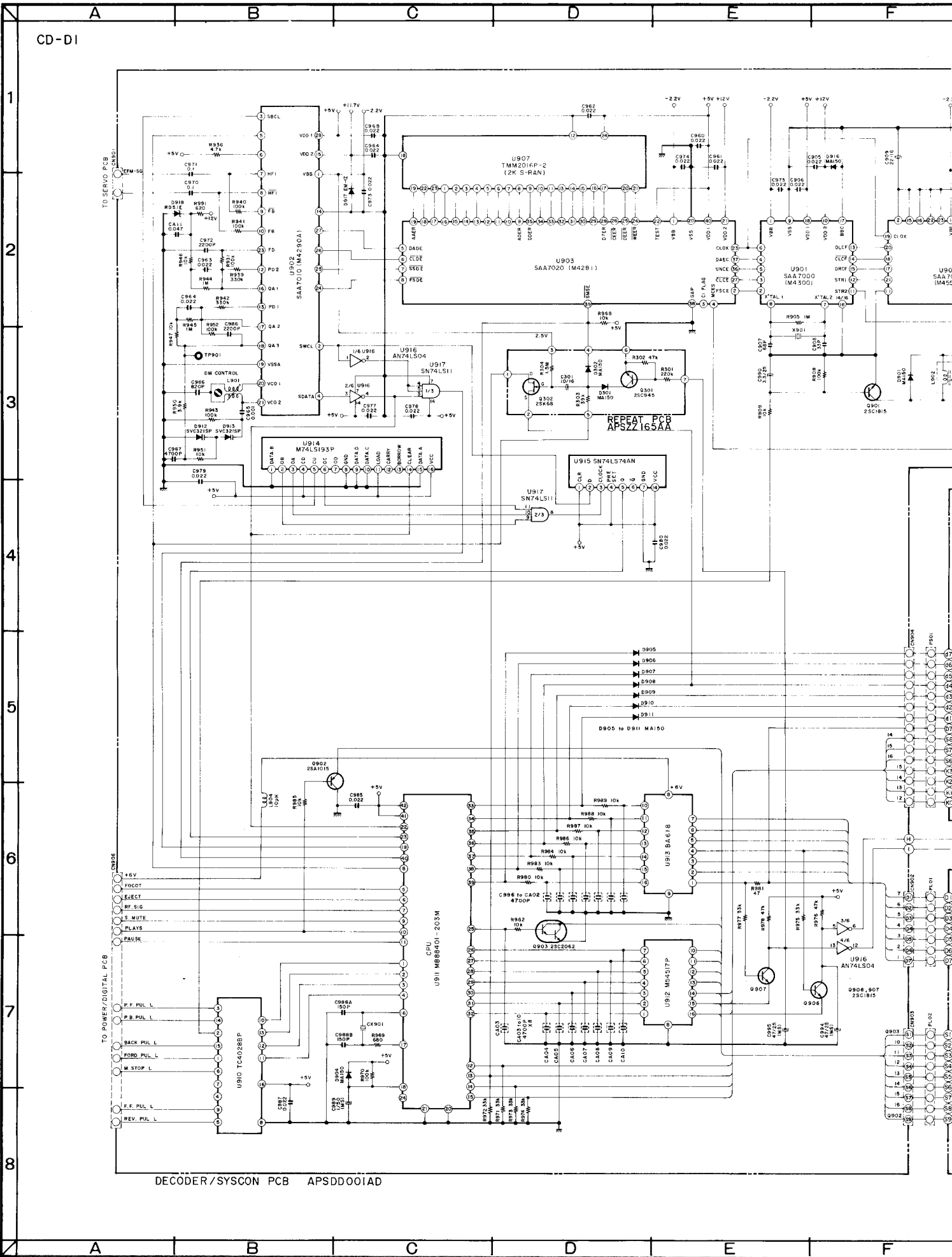


POWER / DIGITAL PCB APSPD001AD (J,C,A)  
APSPD001BD (E,V,B,S)

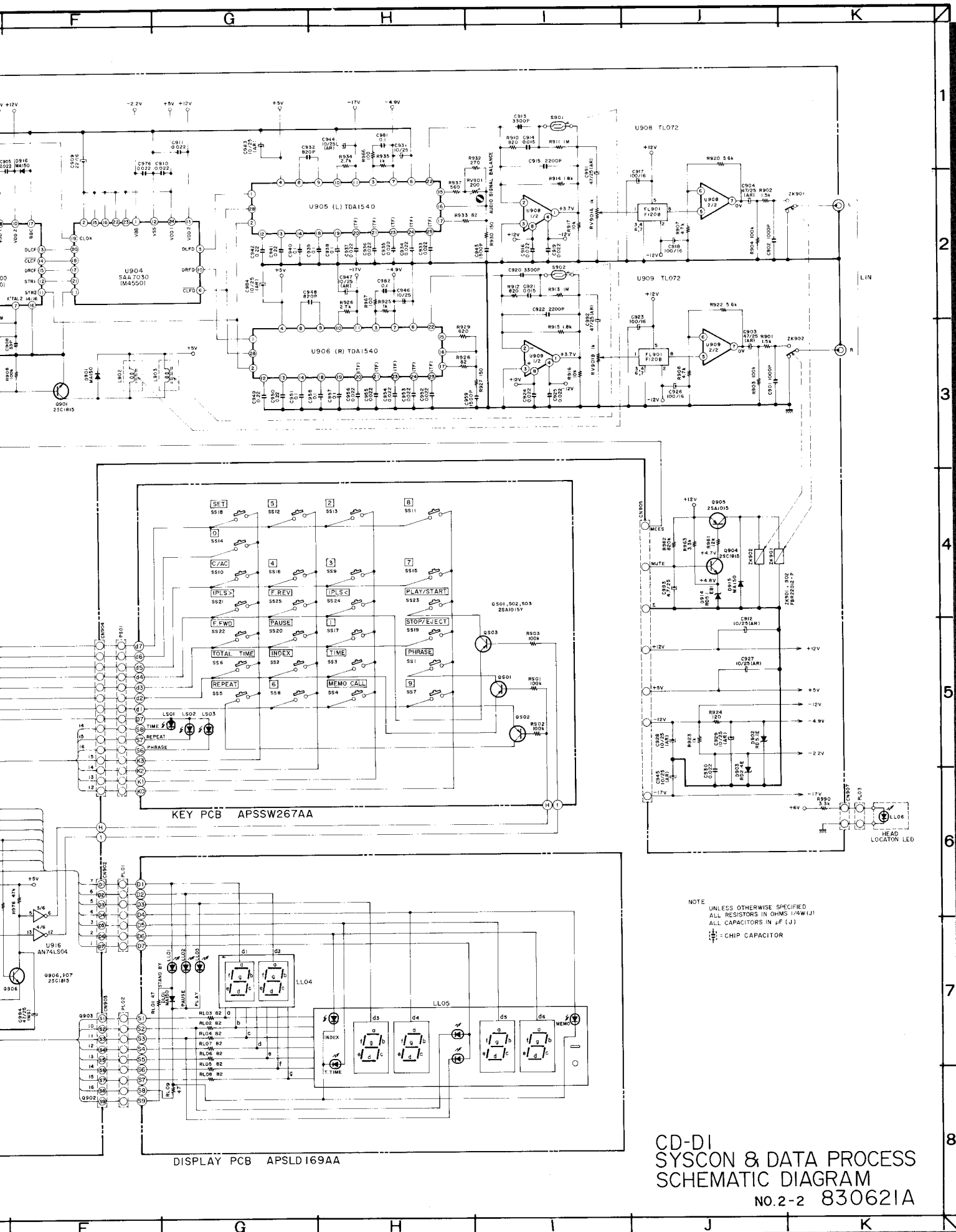
(COMPACT DISC PLAYER)  
CD-DI  
POWER & SERVO  
SCHEMATIC DIAGRAM  
No.2-1 830620A

WARNING: INDICATES SAFETY CRITICAL COMPONENTS FOR CONTINUED SAFETY.  
REPLACE SAFETY CRITICAL COMPONENTS ONLY WITH MANUFACTURER'S  
RECOMMENDED PARTS.  
AVERTISSEMENT: AIN INDIGNE LES COMPONENTS CRITIQUES DE SECURITE  
DOUR MAINTENIR LE DEGRE DE SECURITE DE L'APPAREIL.  
NE REMPLACER QUE DES PIECES RECOMMANDEES PAR LE FABRICANT.

NOTES:  
UNLESS OTHERWISE SPECIFIED  
ALL RESISTORS IN OHMS (1.4W(J))  
ALL CAPACITORS IN .F 50 WV(J)



DECODER/SYSCON PCB APSDD001AD



CD-DI  
 SYSCON & DATA PROCESS  
 SCHEMATIC DIAGRAM  
 NO.2-2 830621A